

ARCHITECTURAL
OUTDOOR

luxio
L I G H T I N G

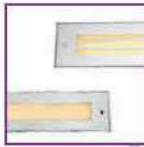
01 Wall Light



P4
LX-16-23-6W
LX-16-23-12W



P6
LX-16-20-3.6W
LX-16-20-2.6W
LX-16-20-6W



P8
LX-16-22-1.5W
LX-16-22-2.5W



P10
LX-16-20R-3W
LX-16-20S-3W



P12
LX-16-20R-1W
LX-16-20S-1W



P14
LX-16-36-3W
LX-16-36-3W-R6B
LX-16-36-3W
LX-16-36-3W-R6B



P15
LX-16-44-2.4W
LX-16-46-2.4W
LX-16-4-2.4W



P16
LX-16-5A-2-3W
LX-16-5B-2-3W
LX-16-5A-2-4W
LX-16-5B-2-4W



P17
LX-16-6A-2-3W
LX-16-6A-2-4W
LX-16-6B-2-4W
LX-16-6C-2-3W
LX-16-6C-2-3W



P18
LX-16-7A-2-3W
LX-16-7B-2-3W



P19
LX-16-8A-2-5W
LX-16-8B-2-5W
LX-16-8C-2-3W
LX-16-8D-2-3W



P20
LX-16-10A-2-3W
LX-16-10B-2-3W
LX-16-11-2-3W



P21
LX-16-3A-2-5W
LX-16-3B-2-5W



P22
LX-16-29-3W



P24
LX-16-25-9W
LX-16-25-11W-R6B
LX-16-25-5W
LX-16-25-5W-R6B
LX-16-25-2W
LX-16-25-2W-R6B



P26
LX-16-34-2-2W
LX-16-34-2-3W-R6B



P27
LX-WL-137-2W
LX-WL-137-1W



P28
LX-WL-138-10W
LX-WL-138-16W



P29
LX-WL-139-12W



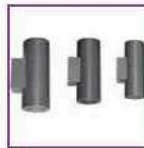
P30
LX-WL-140-16W



P31
LX-WL-42-2-18W
LX-WL-42-2-24W



P32
LX-WL-43A-2-18W
LX-WL-43-2-12W
LX-WL-43B-2-18W



P34
LX-WL-41-2-10W
LX-WL-41-2-18W
LX-WL-41-2-25W
LX-WL-41-2-16W
LX-WL-41-2-24W
LX-WL-41-2-36W



P35
LX-6-132-6-2W



P35
LX-6-132-8W



P35
LX-6-132-1-2W



P35
LX-6-132-1-1W



P35
LX-6-132-5-1W



P35
LX-6-132-4-4W



P36
LX-6-133-1-1W



P36
LX-6-133-4-4W
LX-6-133-5-3W



P36
LX-6-133-7-3W
LX-6-133-6-6W



P36
LX-6-132-7-2W



P38
LX-WL-142-1E-3W
LX-WL-142-1EE-6W
LX-WL-142-5FE-6W
LX-WL-142-4FF-6W
LX-WL-142-5EE-6W
LX-WL-142-6E-6W



P40
LX-16-232020-3-6W
LX-16-232020-12W
LX-16-232020-10.8W
LX-16-232020-1.8W



P42
LX-6-234030-1-60W
LX-6-234030-2-60W



P44
LX-16-7110710-1W
LX-16-7110710-1W-R6B

45 Inground



P48
LX-16-ZB81-0.5W
LX-16-ZB81-2W
LX-16-ZB81-0.5W
LX-16-ZB81-2W
LX-16-ZB82-0.5W
LX-16-ZB82-2W
LX-16-ZB82-0.5W
LX-16-ZB82-2W



P50
LX-16-43R-2W
LX-16-43R-2W-R6B
LX-16-43A-2W
LX-16-43S-2W
LX-16-43S-2W-R6B



P52
LX-16-45R-1W
LX-16-45S-1W
LX-16-45R-2W
LX-16-45R-2W-R6B
LX-16-45S-2W
LX-16-45S-2W-R6B
LX-16-45-2W



P53
LX-16-65-4W
LX-16-65-6W



P54
LX-16-9-2-6W
LX-16-9-2-3W



P55
LX-16-2ADJ-3W
LX-16-2ADJ-3W-HM



P56
LX-16-2ADJ-6W
LX-16-2ADJ-6W-R6B
LX-16-2ADJ-6W-HM
LX-16-2ADJ-6W-HM-R6B
LX-16-AUJ-18W



P58
LX-16-2ADJ-18W-HM
LX-16-2ADJ-12W-HM
LX-16-2ADJ-8W-HM
LX-16-2ADJ-3W-HM
LX-16-2ADJ-2W



P59-60
LX-16-49R-1W
LX-16-49R-1W-R6B
LX-16-49S-1W
LX-16-49S-1W-R6B
LX-16-55J-4W
LX-16-55J-4W-R6B
LX-16-R5D-4W
LX-16-R5D-4W-R6B



P62
LX-16-50-2R1-6W
LX-16-50-2R2-6W-R6B
LX-16-50-2S1-6W
LX-16-50-2S2-6W-R6B
LX-16-50-2RA-6W
LX-16-50-2S2-6W



P64
LX-16-52-2R1-12W
LX-16-52-2R2-12W-R6B
LX-16-52-2S1-12W
LX-16-52-2S2-12W-R6B
LX-16-52-2RA-12W
LX-16-52-2SA-12W



P66
LX-16-54-2S1-18W
LX-16-54-2S2-18W-R6B
LX-16-54-2R1-18W
LX-16-54-2R2-18W-R6B
LX-16-54-2SA-18W
LX-16-54-2RA-18W



P67
LX-16-55-2R6U10
LX-16-55-2R6U53



P68
LX-16-65-6-3W
LX-16-65-6-3W



P69
LX-16-57A-12W
LX-16-57A-6W
LX-16-57-12W
LX-16-57-12W-R6B
LX-16-57-6W
LX-16-57-6W-R6B



P70
LX-16-57-18W
LX-16-57-18W-R6B
LX-16-57-36W
LX-16-57-36W-R6B



P71
LX-16-58-14.4W
LX-16-58-28.8W



P72
LX-16-41R-2W
LX-16-42S-3W-R6B
LX-16-41R-2W
LX-16-42R-3W-R6B
LX-16-42R-1W
LX-16-42R-1W-R6B
LX-16-42R-1W
LX-16-42R-1W-R6B



P74
LX-IG-18-2-1W
LX-IG-18-2-1W-RGB

P75
LX-IG-19-2-1W
LX-IG-19-2-1W-RGB

P76
LX-IG-20-2-5W

P77
LX-IG-21B-2-6W
LX-IG-21A-2-6W

P78
LX-IG-22R-2-5W
LX-IG-22S-2-5W

P79
LX-IG-ZA1-1.5W
LX-IG-ZA2-2.5W
LX-IG-ZA4-3W

P80
LX-IG-ZAA1-3W
LX-IG-ZAA2-3W
LX-IG-ZAA4-3W

P81
LX-IG-ZB1-3W
LX-IG-ZB2-3W
LX-IG-ZB4-3W

P82
LX-IG-ZD1-2W
LX-IG-ZD2-2W
LX-IG-ZD4-2W



P84
LX-IG-R67A-5W
LX-IG-R69-2W
LX-IG-S68-2W
LX-IG-R67-2W
LX-IG-S67-2W



P85
LX-IG-R71-12W
LX-IG-R71-12W-RGB
LX-IG-S68-2W
LX-IG-S71-12W
LX-IG-R71A-12W
LX-IG-S71A-12W



P85
LX-IG-R72-2W
LX-IG-R72-3W-RGB
LX-IG-S72-2W
LX-IG-S72-3W-RGB



P86
LX-IG-R69-5W
LX-IG-R69-5W-RGB
LX-IG-S69-5W
LX-IG-S69A-5W
LX-IG-S69A-5W



P86
LX-IG-R70-3W
LX-IG-R70-3W-RGB
LX-IG-S70-2W
LX-IG-S70-3W-RGB



P87
LX-IG-R75-12W-RGB



P88
LX-IG-R88-8W-RGB



P89
LX-IG-S77-5W
LX-IG-R77-5W



P90
LX-IG-S9-5W



P92
LX-IG-R79-6W
LX-IG-S79-6W



P94
LX-IG-2R74-25W
LX-IG-2R74-18W
LX-IG-2R74-12W
LX-IG-2R74-7W
LX-IG-2R74-5W



P96
LX-IG-3R74-2-25W
LX-IG-3R74-2-15W
LX-IG-3R74-2-12W
LX-IG-3R74-2-8W
LX-IG-3R74-2-4W



P97
LX-IG-2R75-6W
LX-IG-2R75-9W-RGB
LX-IG-2R75A-6W



P98
LX-IG-2R75-3W
LX-IG-2R75A-3W



P100
LX-IG-151-6W
LX-IG-151-9W-RGB
LX-IG-151-12W
LX-IG-151-15W-RGB
LX-IG-151-24W
LX-IG-151-36W-RGB



P102
LX-IG-154-20W
LX-IG-154-20W-RGB
LX-IG-154-40W
LX-IG-154-40W-RGB
LX-IG-154-80W
LX-IG-154-80W-RGB



P104
LX-IG-151-43W-RGB
LX-IG-151-24W-RGB
LX-IG-151A-24W-RGB



P105-106
LX-IG-WW-24W
LX-IG-WW-32W-RGB
LX-IG-WW-45W
LX-IG-WW-60W-RGB
LX-IG-WW-SHARP-24W
LX-IG-WW-SHARP-48W

107 Garden



P109
LX-IG-89-2W
LX-IG-89-3W-RGB
LX-IG-88-2W
LX-IG-88-3W-RGB



P110
LX-IG-89-6W
LX-IG-89-6W-RGB
LX-IG-90-6W



P112
LX-IG-91-5W
LX-IG-91-5W-RGB
LX-IG-91-12W
LX-IG-91-12W-RGB
LX-IG-91-18W
LX-IG-91-18W-RGB



P114
LX-IG-113B-6W
LX-IG-113B-6W-RGB
LX-IG-113C-12W
LX-IG-113C-12W-RGB
LX-IG-113C-15W
LX-IG-113C-15W-RGB



P116
LX-IG-86-9W
LX-IG-86-12W-RGB
LX-IG-95-9W
LX-IG-95-12W-RGB



P118
LX-IG-2320611-3W
LX-IG-2320612-7W
LX-IG-2320613-10W
LX-IG-2320614-18W



P119
LX-IG-231041-3W
LX-IG-231042-7W
LX-IG-231043-10W
LX-IG-231044-18W



P120
LX-IG-2310401-3W
LX-IG-2310402-7W
LX-IG-2310403-10W
LX-IG-2310404-18W



P122
LX-FL-85A-20W
LX-IG-WW-45W
LX-IG-WW-60W-RGB
LX-IG-WW-SHARP-24W
LX-IG-WW-SHARP-48W



P124
LX-FL-90-24W-RGB



P124
LX-FL-88B-24W
LX-FL-88B-24W-RGB
LX-FL-27-2-25W



P125
LX-FL-30-2-36W
LX-FL-30-2-36W-RGB
LX-FL-30-2-18W
LX-FL-30-2-18W-RGB
LX-FL-30-2-12W
LX-FL-30-2-12W-RGB
LX-FL-30-2-5W
LX-FL-30-2-5W-RGB



P126
LX-FL-31-2-40W
LX-FL-31-2-20W
LX-FL-30-2-16W
LX-FL-30-2-6W



P127
LX-FL-92-36W
LX-FL-91-36W
LX-FL-92-36W-RGB
LX-FL-91-36W-RGB



P128
LX-FL-92-6W



P130
LX-IG-112-5W
LX-IG-107-6W



P131
LX-IG-112-6W
LX-IG-112-12W
LX-IG-113-28W



P132
LX-IG-96-10W
LX-IG-95-10W



P133
LX-IG-97F-6U10
LX-IG-97-GU10



P134
LX-IG-111-6W
LX-IG-112-6W



P135
LX-IG-99-5W
LX-IG-99-15W



P136
LX-IG-100-8W
LX-IG-100-10W



P138
LX-IG-102-10W



P140
LX-IG-105-8W
LX-IG-105-10W



P141
LX-IG-1426-3W
LX-IG-1446-5W
LX-IG-1446-5W



P141
LX-IG-1428-3W
LX-IG-1401-3W
LX-IG-1403-3W



P142
LX-IG-65-2-36W



P142
LX-IG-65-2-20W



P142
LX-IG-65-2-15W
LX-IG-65-2-6W



P146
LX-16-119-3W
LX-16-119-3W-R6B
LX-16-119A-3W



P148
LX-19-33-2-2W
LX-19-33-2-6W
LX-19-33-2-6W-R6B



P150
LX-16-121-8W
LX-16-121-8W-R6B
LX-16-121A-8W



P152
LX-16-123-12W
LX-16-123-12W-R6B
LX-16-123A-12W



P154
LX-16-125-24W
LX-16-125-24W-R6B
LX-16-125A-24W



P156
LX-16-114-3.6W
LX-16-114-3.6W-R6B
LX-16-114A-3.6W



P158
LX-16-127-12W
LX-16-127-12W-R6B
LX-16-127A-12W



P160
LX-16-129-24W
LX-16-129-3.6W-R6B
LX-16-130-24W
LX-16-130-3.6W-R6B



P162
LX-16-32-2-12W
LX-16-32-2-18W



P164
LX-16-133-12W
LX-16-133-12W-R6B



P165
LX-19-138-3W
LX-19-138-3W-R6B
LX-16-125-3W
LX-16-125-3W-R6B



P166
LX-16-143-6W
LX-16-143-6W-R6B
LX-16-143-12W
LX-16-143-12W-R6B
LX-16-143-24W
LX-16-143-24W-R6B



P167
LX-16-144-12W
LX-16-144-12W-R6B



P168
LX-16-148-12W-R6B



P169
LX-16-38-2-3.6W
LX-16-38-2-4.3W-R6B



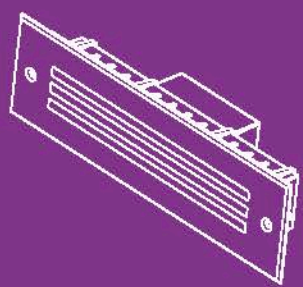
P170
LX-16-37-2-20W
LX-16-37-2-16W
LX-16-37-2-8W



171
LX-16-151-6W-R6B
LX-16-151-18W-R6B
LX-16-151-3.6W-R6B



172
LX-16-151-6W
LX-16-151-18W
LX-16-151-3.6W



Wall Light







Asymmetrical Recessed LED stair light and wall washer light



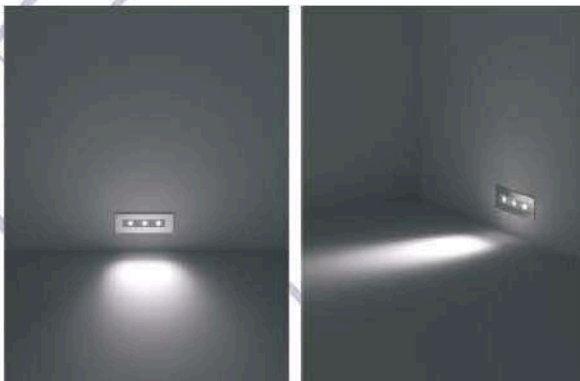
LX-IG-23-6W



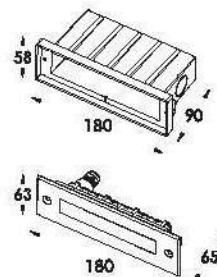
LX-IG-23-12W



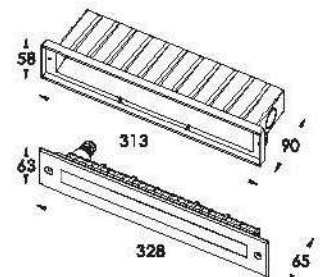
Beam effect demo



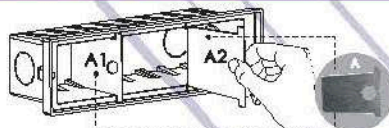
076° Mounting sleeve LX-IG-23-6W



077° Mounting sleeve LX-IG-23-12W



Mounting sleeve characteristic



- The right picture-"A" is the support plate, used for "mounting sleeve" during the construction installation process to prevent deformation of the sleeve.
- The loading way such as A1, A2
- C1FL0357 need 1 pcs & C1FL0657 need 2 pcs for support.
- Please take out the support plate [A1 & A2] from the "mounting box" before installation.

Material specifications

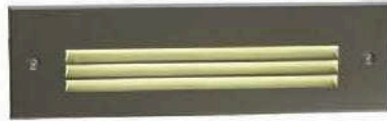
Housing	12° Die-casting grey powder coated aluminum T=60-80um Adhesion of ISO class 1/ASTM class 4B
Front cover	Stainless steel SUS 316L#
Glass	Step tempered glass, T=8mm
Cable gland	IP-67 PG-9 PVC
Gasket	Tooling shaped seal
Driver	Constant current output
Operating temperature	-20°C~40°C
Power Cable	H05RN-F 2X1.0mm ² =0.5m(low voltage) H05RN-F 3X1.0mm ² =0.5m(high voltage)
Mounting sleeve	PVC

Item	Light source	Lens	Degree	Input voltage	Current	Consumption	Luminance	Ik rate
LX-IG-23-6W	3X2W SMD 3535	C11	45 35	24VDC 120/240	24V = 400 120V = 89 240V = 46	24V = 5.7 120V = 6.2 240V = 5.7	Cool white=400 Warm white=285	08
LX-IG-23-12W	6X2W SMD 3535	C11	45 35	24VDC 120/240	24V = 400 120V = 100 240V = 57	24V = 10.5 120V = 11.8 240V = 12.1	Cool white=875 Warm white=570	08





Recessed Led stair / Wall light



LX-IG-20-2-6W



LX-IG-20-3-6W



LX-IG-20-6W



High voltage type

Low voltage type

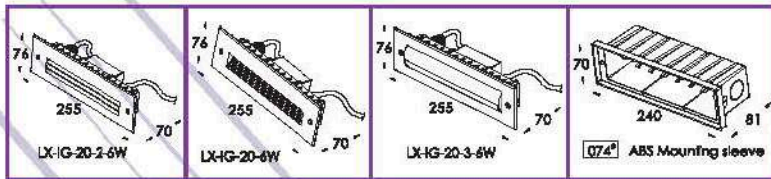
ABS Mounting sleeve

Basic color selection

Powder painting PANTONE 432u	Liquid painting color RAL9006

Optional color

Powder painting RAL 9005	Powder painting RAL9003



Material specifications

Housing	12° Die-casting grey powder coated aluminum. T=60-80um Adhesion of ISO class 1/ASTM class 4B
Front cover	12° Die-casting aluminum
Glass	PC T=3mm
Cable gland	IP-68 PG-9 PVC
Gasket	Molding shaped silicone seal
Driver	Constant current output
Operating temperature	-20°C~40°C
Power Cable	H05RN-F 2X1.0mm ² L=0.5m(low voltage) H05RN-F 3X1.0mm ² L=0.5m(high voltage)
Mounting sleeve	ABS D74

Mounting sleeve characteristic

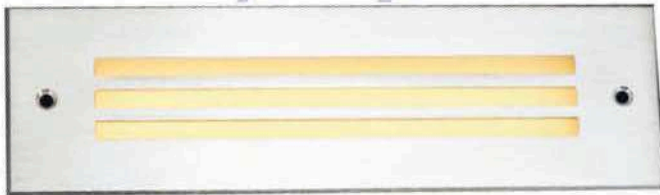
- The right picture-"A" is use for "Mounting box", during the construction installation process to prevent deformation of the sleeve.
- The loading way such as A1, A2
- Please removed the support plate [A1 & A2] from the "mounting box" before installation.

Item	Light source	Input voltage	Power Current	Consumption	Luminance	Eff. rate
LX-IG-20-2-6W	54×SMD3528	24VDC 120/240	24V = 220 120V = 95 240V = 52	24V = 5.3 120V = 6.4 240V = 6.5	Cool white=36 Warm white=31	09
LX-IG-20-6W	15×SMD5630	24VDC 120/240	24V = 200 120V = 89 240V = 49	24V = 4.8 120V = 6.0 240V = 6.1	Cool white=55 Warm white=56	10
LX-IG-20-3-6W	28×SMD5630	24VDC 120/240	24V = 200 120V = 92 240V = 52	24V = 4.8 120V = 6.9 240V = 6.7	Cool white=43 Warm white=42	09





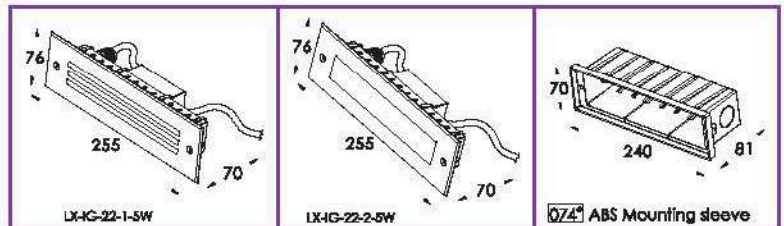
Recessed Led stair / Wall light Stainless steel Front cover



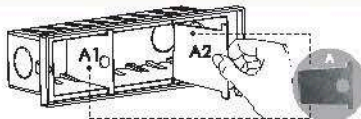
LX-IG-22-1-5W



LX-IG-22-2-5W



Mounting sleeve characteristic



- The right picture-"A" is use for "Mounting box", during the construction installation process to prevent deformation of the sleeve.
- The loading way such as A1, A2
- Please removed the support plate (A1 & A2) from the "mounting box" before installation.

Material specifications

Housing	12" Die-casting grey powder coated aluminum T=60-80um Adhesion of ISO class 1/ASTM class 4B
Front cover	Stainless steel
Glass	PC T=3mm
Cable gland	IP-68 PG-9 PVC
Gasket	Molding shaped silicone seal
Driver	Constant voltage output
Operating temperature	-20°C-40°C
Power Cable	H05RN-F 2X1.0mm ² =0.5m(low voltage) H05RN-F 3X1.0mm ² =0.5m(high voltage)
Mounting sleeve	ABS 074

Item	Light source	Input voltage	Current	Consumption	Lumiance	It rate
LX-IG-22-1-5W	54X SMD3528	24VDC 120/240	24V = 220 120V = 9.5 240V = 5.2	24V = 5.3 120V = 6.4 240V = 6.5	Cool white=80 Warm white=66	10
LX-IG-22-2-5W	54X SMD3528	24VDC 120/240	24V = 220 120V = 9.5 240V = 5.2	24V = 5.3 120V = 6.4 240V = 6.5	Cool white=137 Warm white=113	09



Wall Light

Recessed Led stair / Wall light



LX-IG-ZQR-3W



LX-IG-ZQS-3W

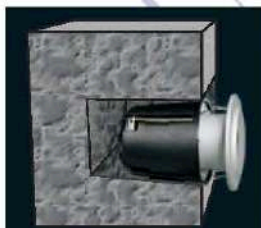
Beam effect demo



Wall recessed



Ceiling recessed



Installation with clips embedded into sleeve, fix on the concrete wall



Installation with clips directly



50mm

Basic color selection

Powder painting RAL8019	Powder painting RAL9005	Powder painting RAL9006

LX-IG-ZQR-3W	LX-IG-ZQS-3W	035° Mounting sleeve

Material specifications

Housing	12° Die-casting aluminum T=20-25um. Adhesion of ISO class 1/ ASTM class 48 high temperature painting
Light Source	Emitter type power LED
Driver	Constant voltage output
Operating temperature	-20°C~40°C
Power Cable	H05RN-F 2X1.0mm ² L=0.3m(low voltage) H05RN-F 3X1.0mm ² L=0.3m(high voltage)
Mounting sleeve	PVC 035°



Item



Light source



Lens



Degree



Input voltage



Current



Consumption



Luminescence



Beam angle

○	LX-IG-ZQR-3W	1×3W	L01B0C010AR	80	24VDC 120/240	24V = 110 120V = 48 240V = 28	24V = 2.6 120V = 3.0 240V = 3.1	Cool white=75 Warm white=66	10
□	LX-IG-ZQS-3W	1×3W	L01B0C010AR	80	24VDC 120/240	24V = 110 120V = 48 240V = 28	24V = 2.6 120V = 3.0 240V = 3.1	Cool white=75 Warm white=66	10





Recessed Led stair / Wall light Stainless steel Housing



LX-IG-ZQS-1W



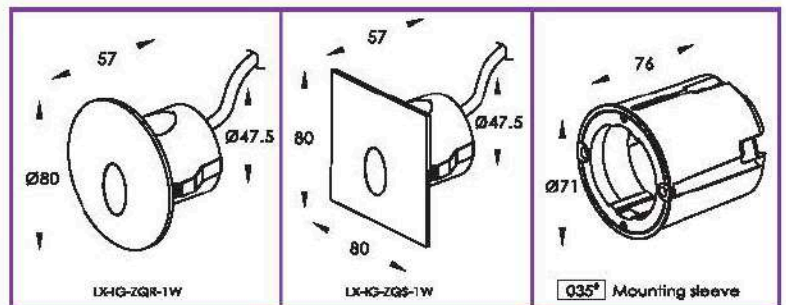
LX-IG-ZQR-1W

Basic color selection

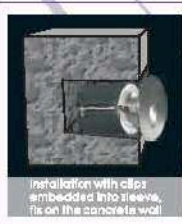
Powder painting RAL8019	Powder painting RAL9005	Stainless steel original color



Beam effect demo



Effect demo



Installation with clips embedded into sleeve, fits on the concrete wall



Installation with clips directly

Material specifications

Housing	Molding shaped stainless-steel SUS 316
Light Source	Emitter type power LED
Driver	Low & High Input-Voltage Driver Inside
Operating temperature	-20°C-40°C
Power Cable	H05RN-F 2X1.0mm ² L=0.3m(low voltage) H05RN-F 3X1.0mm ² L=0.3m(high voltage)
Mounting sleeve	PVC 035°

Item	Light source	Lens	Degree	Input voltage	Current	Consumption	Lumiance (Lm)	Ik rate
○ LX-IG-ZQR-1W	1×1W	L0180C010AR	80	24VDC 120/240	24V = 59 120V = 26 240V = 16	24V = 1.46 120V = 1.70 240V = 1.70	Cool white=34 Warm white=31	10
□ LX-IG-ZQS-1W	1×1W	L0180C010AR	80	24VDC 120/240	24V = 59 120V = 26 240V = 16	24V = 1.46 120V = 1.70 240V = 1.70	Cool white=34 Warm white=31	10





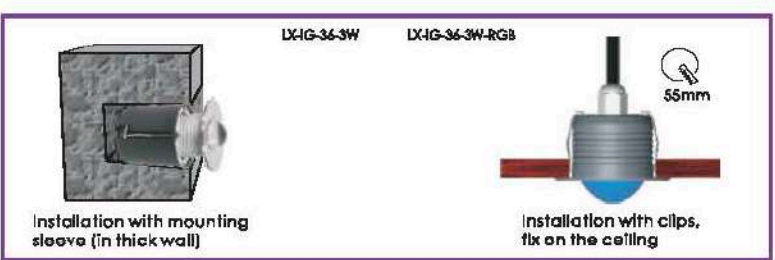
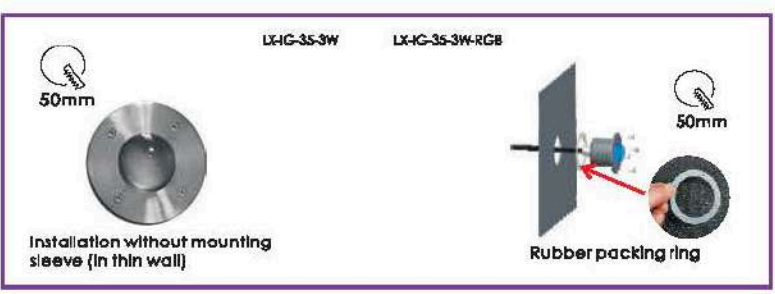
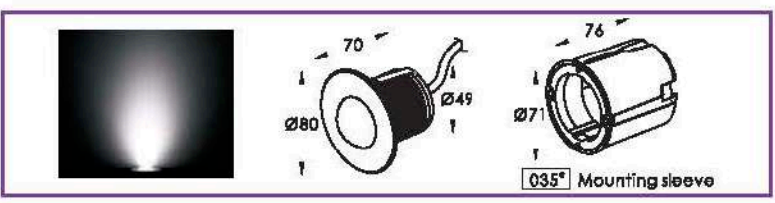
Recessed LED wall recessed outline light



LX-IG-35-3W
LX-IG-35-3W-RGB



LX-IG-36-3W
LX-IG-36-3W-RGB



Material specifications

Housing	12° Die-casting grey powder coated aluminum . T=60-80µm Adhesion of ISO class 1/ASTM class 4B
Front ring	Stainless steel SUS 316°
Lens	Optical Glass
Operating temperature	-20°C~40°C
Waterproof seal	Rubber seal
Mounting sleeve	PVC Ø35°

Item	Light source	Lens	Diagra	Input voltage	Current	Consumption	Luminance	IC rate
LX-IG-35-3W	1X3W	L0145F042KP	45	24VDC 120/240	24V = 110 120V = 48 240V = 28	24V = 2.6 120V = 3.3 240V = 3.3	Cool white=31 Warm white=27	09
LX-IG-35-3W-RGB	1X3W RGB 3in1 Full color	L0145F042KP	45	24VDC	R = 38 G = 53 B = 54	3.5	46	09
LX-IG-36-3W	1X3W	L0145F042KP	45	24VDC 120/240	24V = 110 120V = 48 240V = 28	24V = 2.6 120V = 3.3 240V = 3.3	Cool white=31 Warm white=27	09
LX-IG-36-3W-RGB	1X3W RGB 3in1 Full color	L0145F042KP	45	24VDC	R = 38 G = 53 B = 54	3.5	46	09

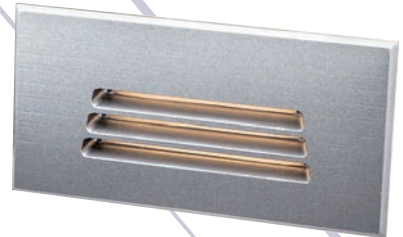
LED Recessed Wall Light



LX-IG-4A-2-4W



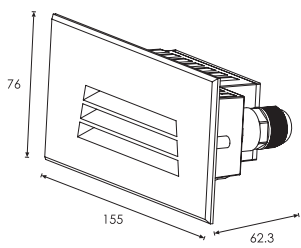
LX-IG-4B-2-4W



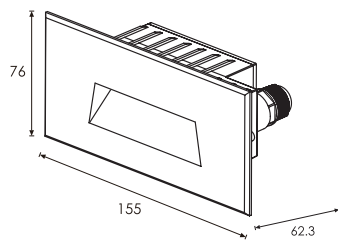
LX-IG-4-2-6W

Outer Dimensions

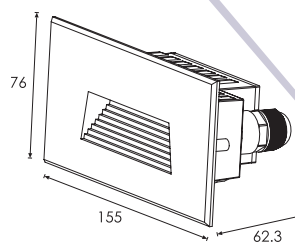
Unit:mm



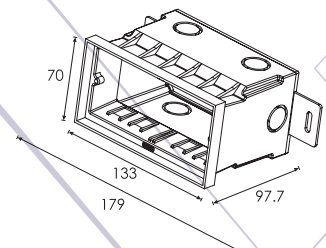
LX-IG-4-2-6W



LX-IG-4B-2-4W



LX-IG-4A-2-4W



090#

Material specifications

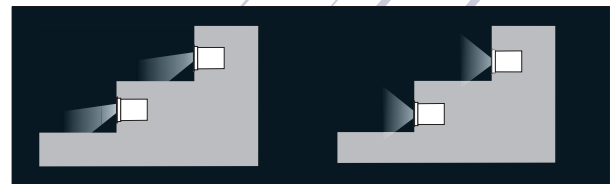
Housing	12" Die-casting grey powder coated aluminum T=60-80um Adhesion of ISO class 1/ASTM class 4B
Front cover	D113607: 304 ⁺ stainless steel D113007: 12" Die-casting aluminum
Glass	Light diffusion effect PC T=3mm
Cable gland	IP-67 copper and nicked coated
Gasket	Molding shaped silicone seal
Driver	Constant voltage output
Operating temperature	-20°C~40°C
Power Cable	H05RN-F 3X1.0mm ² L=0.5m(high voltage)
Mounting sleeve	PVC 081 [*]

Basic color selection

Optional color

Powder painting PANTONE 432u	Liquid painting color RAL9006	Powder painting RAL 9005	Powder painting RAL 9003

Beam effect demo



Item



Light source



Input voltage



Current



Consumption



Luminance



Ik rate

LX-IG-4A-2-4W	7×0.5W	24VDC 120/240	120V=72 240V=40	120V = 4.8 240V = 4.8	Cool white=104.5 Warm white= 97.9	10
LX-IG-4B-2-4W	7×0.5W	24VDC 120/240	120V=72 240V=40	120V = 4.8 240V = 4.8	Cool white=85.0 Warm white=77.0	10
LX-IG-4-2-6W	18×0.3W	24VDC 120/240	120V=97 240V=54	120V = 6.8 240V = 6.9	Cool white=67.0 Warm white=61.0	10



LED Recessed Wall Light



LX-IG-5A-2-3W



LX-IG-5B-2-3W



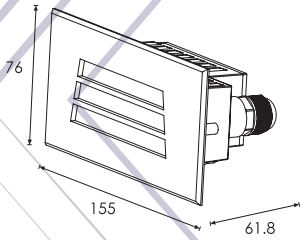
LX-IG-5A-2-4W



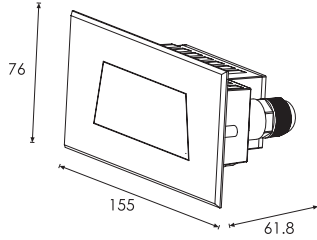
LX-IG-5B-2-4W

Outer Dimensions

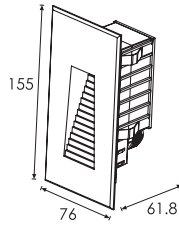
Unit:mm



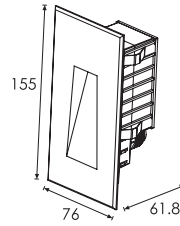
LX-IG-5A-2-3W



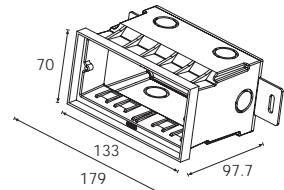
LX-IG-5B-2-3W



LX-IG-5A-2-4W



LX-IG-5B-2-4W



090#

Material specifications

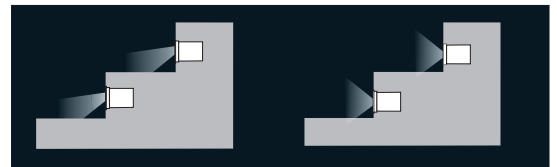
Housing	12" Die-casting grey powder coated aluminum T=60-80um Adhesion of ISO class 1/ASTM class 4B
Front cover	D113607:304" stainless steel D113007:12" Die-casting aluminum
Glass	Light diffusion effect PC T=3mm
Cable gland	IP-67 copper and nicked coated
Gasket	Molding shaped silicone seal
Driver	Constant voltage output
Operating temperature	-20°C~40°C
Power Cable	H05RN-F 3X1.0mm ² L=0.5m(high voltage)
Mounting sleeve	PVC 081"

Basic color selection

Powder painting PANTONE 432u	Liquid painting color RAL9006	Powder painting RAL 9005	Powder painting RAL 9003

Optional color

Beam effect demo



Item	Light source (W)	Input voltage (V)	Current (A)	Consumption (W)	Luminance (Lm)	Ik rate (IK)
LX-IG-5A-2-3W	18×0.2W	24VDC 120/240	120V=56 240V=29	120V = 3.4 240V = 3.5	Cool w hite =53 Warm white=53	10
LX-IG-5B-2-3W	18×0.2W	24VDC 120/240	120V=56 240V=29	120V = 3.4 240V = 3.5	Cool w hite =73 Warm white=66	10
LX-IG-5A-2-4W	1×3W	24VDC 120/240	120V=67 240V=37	120V = 4.2 240V = 4.4	Cool w hite =64 Warm white=55	10
LX-IG-5B-2-4W	1×3W	24VDC 120/240	120V=67 240V=37	120V = 4.2 240V = 4.4	Cool w hite =64 Warm white=55	10

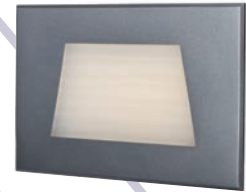
LED Recessed Wall Light



LX-IG-6A-2-3W



LX-IG-6B-2-4W



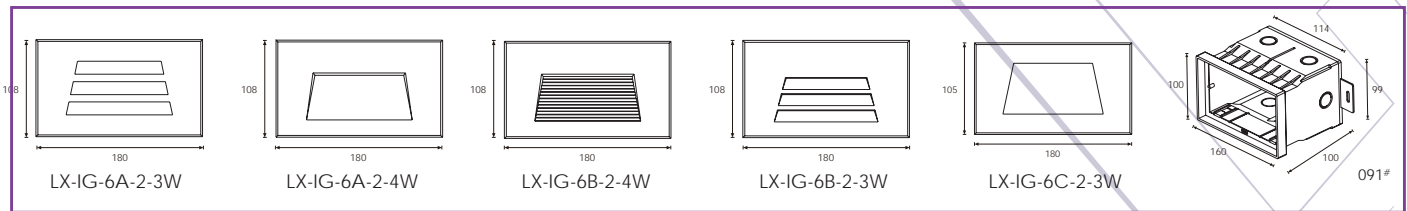
LX-IG-6C-2-3W



LX-IG-6A-2-4W



LX-IG-6B-2-3W



Material specifications

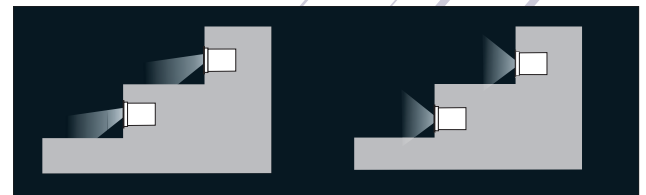
Housing	12# Die-casting grey powder coated aluminum. T=60-80um Adhesion of ISO class 1/ASTM class 4B
Front cover	12# Die-casting aluminum RAL7037 powder coated T=60-80um. Adhesion of ISO class 1/ASTM class 4B; D1FC3634; Stainless steel 316L#
LED	SMD3030 type LED
Cable gland	IP-67 copper and nicked coated
Gasket	Molding shaped silicone seal
LED Driver	Constant Voltage Input, Constant Current Output
Operating temperature	-20°C~40°C
Power Cable	H05RN-F 3×1.0mm ² L=0.5(high voltage)
Mounting sleeve	PVC 091#

Basic color selection

Optional color

Powder painting PANTONE 432u	Liquid painting color RAL9006	Powder painting RAL 9005	Powder painting RAL 9003

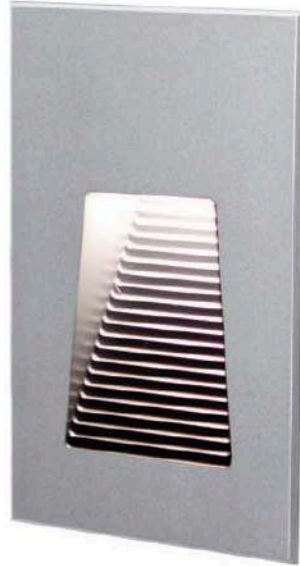
Beam effect demo



Item	Light source (W)	Input voltage (V)	Current (Amps)	Consumption (W)	Luminance (Lm)	Ik rate (IK)
LX-IG-6A-2-3W	36×0.1W	120V/240V	120V=99 240V=55	120V=6.7 240V=6.5	Cool white=113 Warm white=98.9	10
LX-IG-6A-2-4W	20×0.2W	120V/240V	120V=101 240V=56	120V=6.8 240V=6.7	Cool white =113.7 Warm white=104.3	10
LX-IG-6B-2-4W	20×0.2W	120/240	120V =102 240V = 57	120V = 6.9 240V = 6.8	Cool w hite =103 Warm white =96.5	10
LX-IG-6B-2-3W	36×0.1W	120/240	120V =100 240V = 55	120V = 6.7 240V = 6.6	Cool w hite =52.8 Warm white =46.7	10
LX-IG-6C-2-3W	36×0.1W	120/240	120V =100 240V = 55	120V = 6.7 240V = 6.6	Cool w hite =52.8 Warm white =46.7	10



LED Recessed Wall Light



LX-IG-7A-2-3W

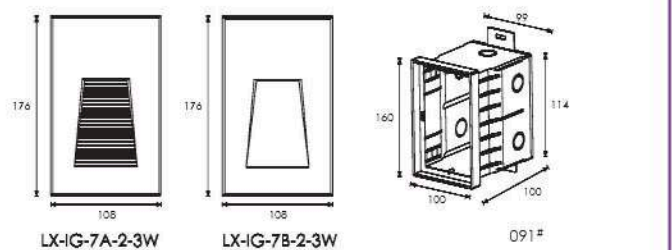


LX-IG-7B-2-3W

Material specifications

Housing	12 [#] Die-casting grey powder coated aluminum. T=60-80um Adhesion of ISO class 1/ASTM class 4B
Front cover	12 [#] Die-casting aluminum RAL7037 powder coated T=20-30µm. Adhesion of ISO class 1/ASTM class 4B
LED	SMD3030 type LED
Cable gland	IP-67 copper and nicked coated
Gasket	Molding shaped silicone seal
LED Driver	Constant Voltage Input, Constant Current Output
Operating temperature	-20°C~40°C
Power Cable	H05RN-F 3×1.0mm ² L=0,5(high voltage)
Mounting sleeve	PVC Ø91 [#]

Outer Dimensions

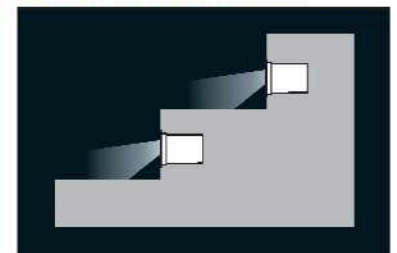


Basic color selection

Optional color

Beam effect demo

Powder painting PANTONE 432u	Liquid painting color RAL9006	Powder painting RAL 9005	Powder painting RAL 9003



Item	Light source	Input voltage	ABS Current	Consumption	Lumiance	Ik rate
LX-IG-7A-2-3W	18×0.2W	120/240	120V=103 240V= 57	120V= 7.0 240V= 7.0	Cool w hite=54.8 Warm white=45.6	10
LX-IG-7B-2-3W	18×0.2W	120/240	120V=103 240V= 57	120V= 7.0 240V= 7.0	Cool w hite=58.0 Warm white=45.6	10

LED Recessed Wall Light

Wall Light



LX-IG-8A-2-5W



LX-IG-8B-2-5W



LX-IG-8C-2-3W



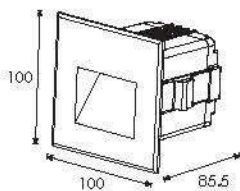
LX-IG-8D-2-3W

Material specifications

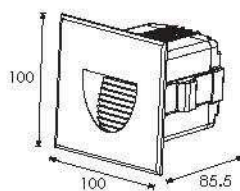
Housing	12# Die-casting grey powder coated aluminum. T=60-80um Adhesion of ISO class 1/ASTM class 4B
Front cover	12# Die-casting aluminum RAL7037 powder coated T=20-30um, Adhesion of ISO class 1/ASTM class 4B
LED	SMD3030 type LED
Cable gland	IP-67 copper and nicked coated
Gasket	Molding shaped silicone seal
LED Driver	Constant Voltage Input, Constant Current Output
Operating temperature	-20°C~40°C
Power Cable	H05RN-F 3×1.0mm² L=0.5 (high voltage)
Mounting sleeve	PVC 091#

Outer Dimensions

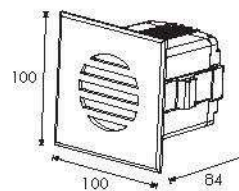
Unit:mm



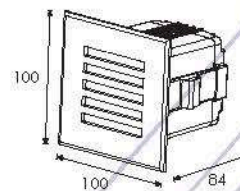
LX-IG-8A-2-5W



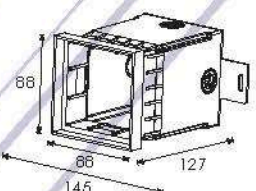
LX-IG-8B-2-5W



LX-IG-8C-2-3W



LX-IG-8D-2-3W



092#

Item	Light source (W)	Input voltage (V)	Current (mA)	Consumption (W)	Luminance (Lm)	Ik rate (IK)
LX-IG-8A-2-5W	10×0.5W	120/240	120V=105 240V= 58	120V= 7.3 240V= 7.4	Cool w hite=124.6 Warm white=112.9	10
LX-IG-8B-2-5W	10×0.5W	120/240	120V=105 240V= 58	120V= 7.3 240V= 7.4	Cool w hite=103 Warm white=94.5	10
LX-IG-8C-2-3W	16×0.2W	120/240	120V= 58 240V= 34	120V= 3.7 240V= 3.8	Cool w hite=35.0 Warm white=32.0	10
LX-IG-8D-2-3W	16×0.2W	120/240	120V= 58 240V= 34	120V= 3.7 240V= 3.8	Cool w hite=50.0 Warm white=45.0	10



LED Recessed Wall Light



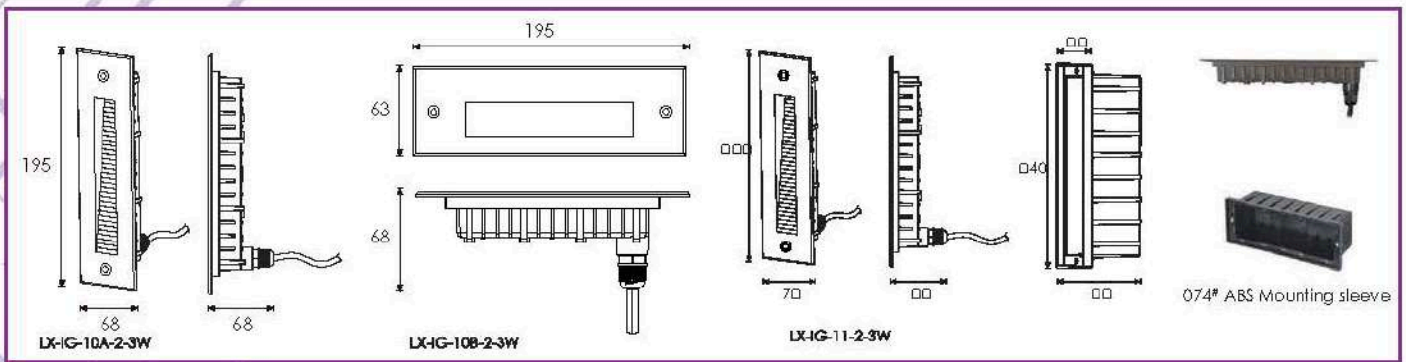
LX-IG-10A-2-3W



LX-IG-10B-2-3W



LX-IG-11-2-3W



Material specifications

Housing	2# Die-casting grey powder coated aluminum T=60-80um Adhesion of ISO class 1/ASTM class 4B
Front cover	12# Die-casting aluminum
Glass	Tempered glass T=2mm
Cable gland	IP-68 PG-9 PVC
Gasket	Molding shaped silicone seal
LED Driver	Constant Voltage Input, Constant Current Output
Operating temperature	-20°C-40°C
Power Cable	H05RN-F 2X1.0mm ² L=0.5m (low voltage) H05RN-F 3X1.0mm ² L=0.5m (high voltage)
Mounting sleeve	ABS 074#

Mounting sleeve characteristic

The above picture "A" is the support plate, used for "mounting sleeve" during the construction installation process to prevent deformation of the sleeve.

The loading way such as A1, A2

Please take out the support plate (A1 & A2) from the "mounting box" before installation.

Item	Lens	Degree	Input voltage	Current	Consumption	Luminance (Lm)	Ik rate
LX-IG-11-2-3W	838	30°	24V DC 120/240	24 V=150 120V = 36 240V = 22	24 V=3.6 120V = 3.8 240V = 3.8	Cool white = 106 Warm white = 94	10
LX-IG-10A-2-3W	—	—	24V DC 120/240	24 V=105 120 V= 40 240 V= 25	24 V=2.5 120V = 2.7 240V = 2.8	Cool white = 64 Warm white = 55	10
LX-IG-10B-2-3W	—	—	24V DC 120/240	24 V=110 120 V= 57 240 V= 32	24 V=2.6 120V = 3.5 240V = 3.5	Cool white = 138 Warm white = 118	10

High Luminance Output Recessed Inground Light / Wall Light



Spot Beam

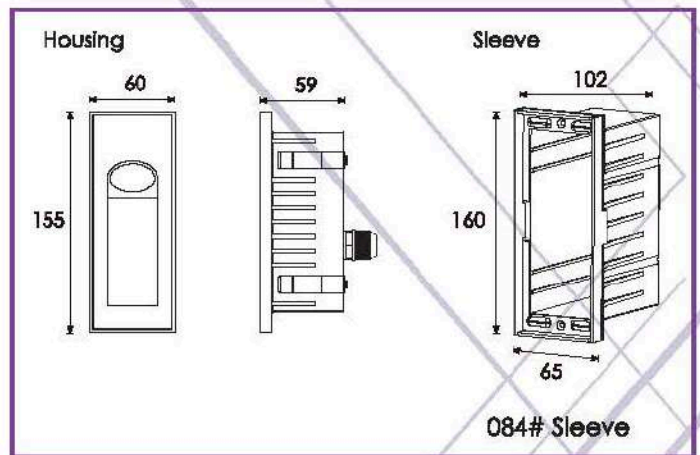
LX-IG-3A-2-6W



Soft Beam

LX-IG-3B-2-6W

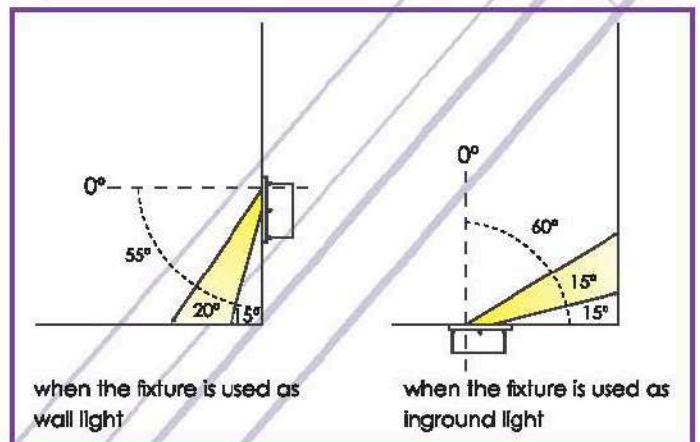
Outer Dimensions



Material specifications

Housing	12# Die-casting grey powder coated aluminum. T=60-80µm Adhesion of ISO class 1/ASTM class 4B
Front cover	Tempered glass T=8mm
Glass pressure capacity	Full area=3286kgs
Operating temperature	-20°C~40°C
Power cable	H05RN-F 2X1.0mm L=0.5m(Low voltage) H05RN-F 3X1.0mm L=0.5m(High voltage)
Mounting sleeve	084# ABS +Stainless Steel Ring

Asymmetrical Demo



Item	Light source	Lens	Degree	Input voltage	Input Current	Consumption	Lumiance (lm)	Ik rate
LX-IG-3A-2-6W	1 X 6W COB	R7	32°	24VDC 120/240	24V = 270 120V = 60 240V = 35	24V = 6.5 120V = 7.0 240V = 7.0	Cool white=458 Warm white=390	06
LX-IG-3B-2-6W	1 X 6W COB	R7	110°	24VDC 120/240	24V = 270 120V = 60 240V = 35	24V = 6.5 120V = 7.0 240V = 7.0	Cool white=150 Warm white=123	06



Power LED Mounting & Recessed Wall Light



LX-IG-29-3W

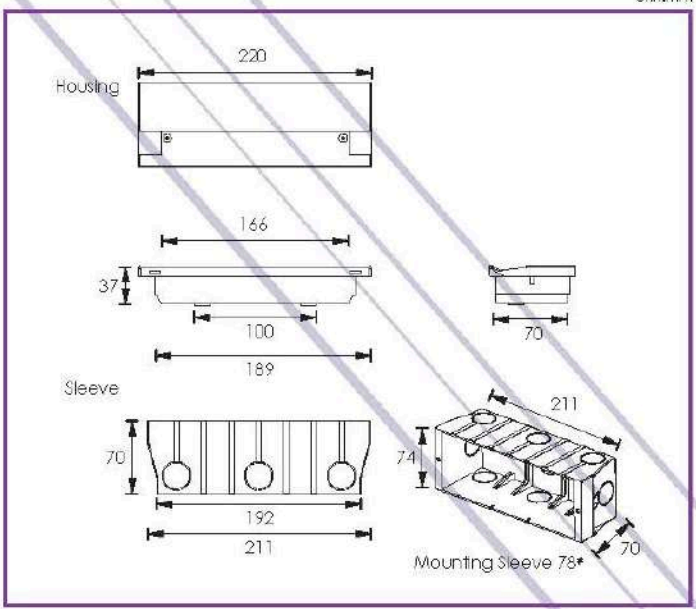
Material specifications

Housing	12* Die-casting grey powder coated aluminum.
Front cover	T=60µm Adhesion of ISO class 1/ASTM class 4B
Beam windows	12* Die-casting aluminum
Cable gland	IP-67 copper and nicked coated
Gasket	Molding shaped silicone seal
LED Driver	Constant Voltage Input, Constant Current Output
Operating temperature	-20°C~40°C
Mounting sleeve	ABS 076*
Dimmer Support	

Basic color selection

Silver Resistant Paint RAL 9006	Dark Sanded Grey RAL7037

Unit:mm



Mounting sleeve characteristic

The Right picture-"A" is the support plate, used for "mounting sleeve" during the construction installation process to prevent deformation of the sleeve.

The loading way such as A1, A2

Please take out the support plate (A1 & A2) from the "mounting box" before installation.

Item	Light source	Degree	Input voltage	Current	Consumption	Lumiance	Ik rate
LX-IG-29-3W	15 X SMD5630	120°	24V DC 120/240	24V = 126 120V = 60 240V = 34	24V = 3.0 120V = 3.7 240V = 3.7	Cool white =52 Warm white =60	10





Recessed LED

smooth beam stair light and wall light



LX-IG-25-5W
LX-IG-25-5W-RGB



LX-IG-25-2W
LX-IG-25-2W-RGB



Beam effect demo

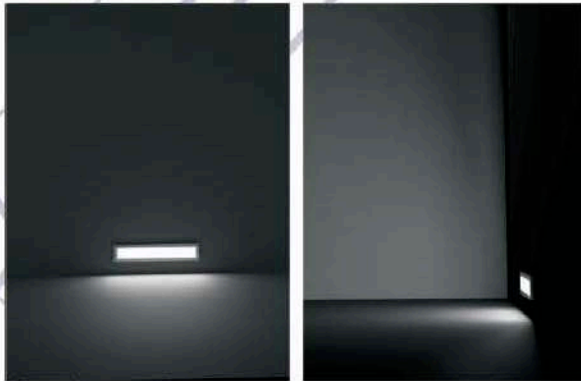


LX-IG-25-9W
LX-IG-25-11W-RGB



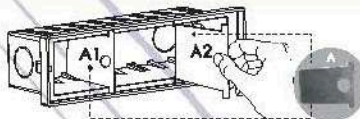
Outside gear box for high voltage

Low voltage type



076" Mounting sleeve	077" Mounting sleeve	132" Mounting sleeve
LX-IG-25-2W LX-IG-25-2W-RGB	LX-IG-25-5W LX-IG-25-5W-RGB	LX-IG-25-9W LX-IG-25-11W-RGB

Mounting sleeve characteristic

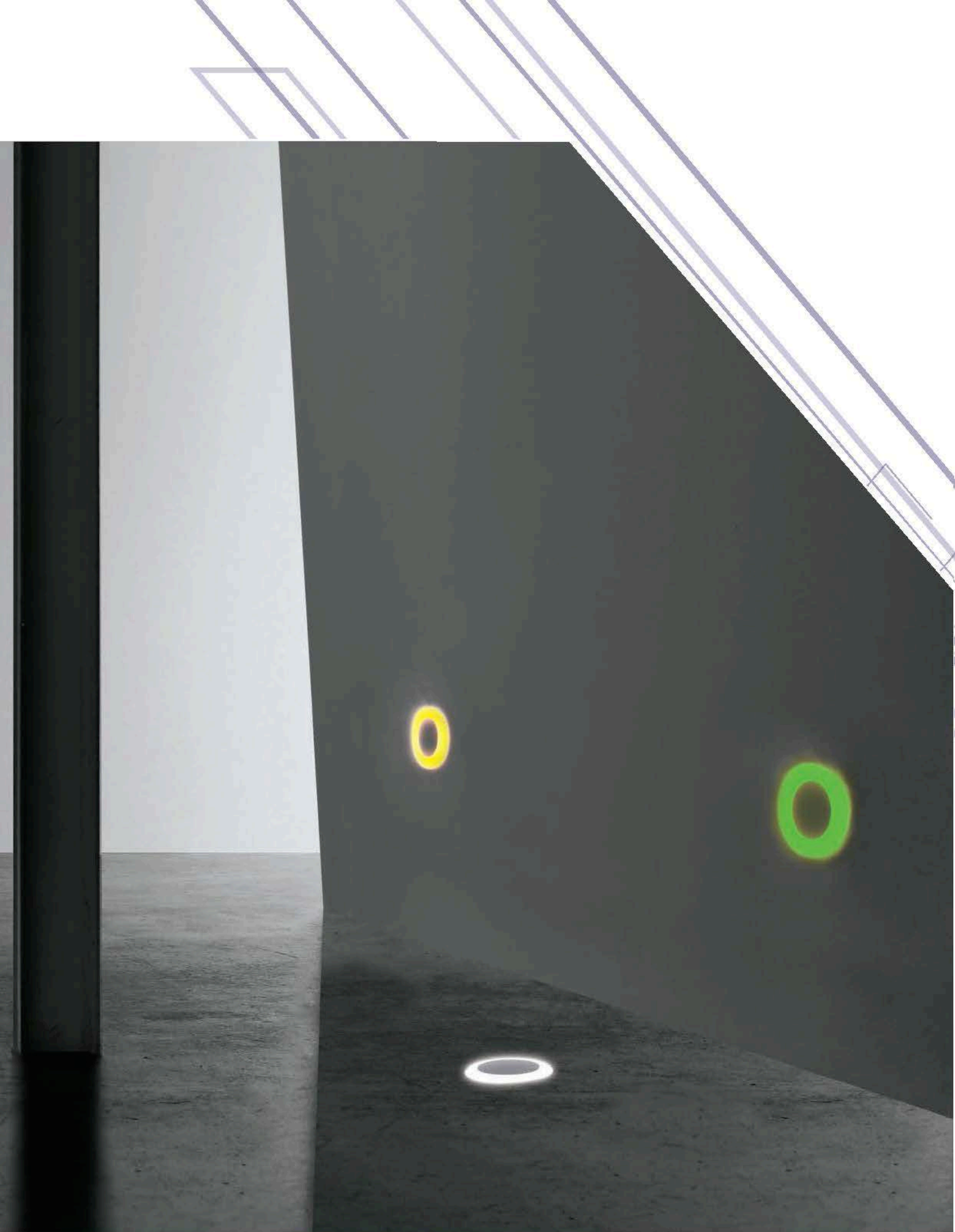


- The right picture-"A" is the support plate, used for "mounting sleeve" during the construction installation process to prevent deformation of the sleeve.
- The loading way such as A1, A2
- D1FL1014 need 1 pcs & D1FL2014 need 2 pcs for support.
- Please take out the support plate (A1 & A2) from the "mounting box" before installation.

Material specifications

Housing	12° Die-casting grey powder coated aluminum T=60-80um Adhesion of ISO class 1/ASTM class 4B
Front cover	Stainless steel SUS 316L#
Glass	Step tempered glass, T=8mm
Cable gland	IP-67 PG-9 PVC
Gasket	Tooling shaped seal
Driver	Constant current output
Operating temperature	-20°C~40°C
Power Cable	H05RN-F 2X1.0mm ² L=0.5m (low voltage) H05RN-F 3X1.0mm ² L=0.5m (high voltage) H05RN-F 4X0.75mm ² L=0.5m (for RGB)
Mounting sleeve	PVC 076", 077", 132" Powder coated aluminum

Item	Light source	Degree	Input voltage	Current	Consumption	Lumiance	Life rate
LX-IG-25-2W	10xSMD5050	120	24VDC 120/240	24V = 100 120V = 53 240V = 31	24V = 2.4 120V = 3.4 240V = 3.5	Cool white=18 Warm white=15	09
LX-IG-25-2W-RGB	10xSMD5050 RGB 3IN1 Full color	120	24VDC	R = 38 G = 38 B = 38	2.70	4.80	09
LX-IG-25-5W	20xSMD5050	120	24VDC 120/240	24V = 200 120V = 100 240V = 51	24V = 4.8 120V = 6.3 240V = 6.4	Cool white=36 Warm white=30	09
LX-IG-25-5W-RGB	20xSMD5050 RGB 3IN1 Full color	120	24VDC	R = 76 G = 76 B = 76	5.40	9.60	09
LX-IG-25-9W	40xSMD5050	120	24VDC 120/240	24V = 420 120V = 210 240V = 97	24V = 9.6 120V = 12.2 240V = 12.4	Cool white=75 Warm white=70	09
LX-IG-25-11W-RGB	40xSMD5050 RGB 3IN1 Full color	120	24VDC	R = 152 G = 152 B = 152	11.0	19.2	09

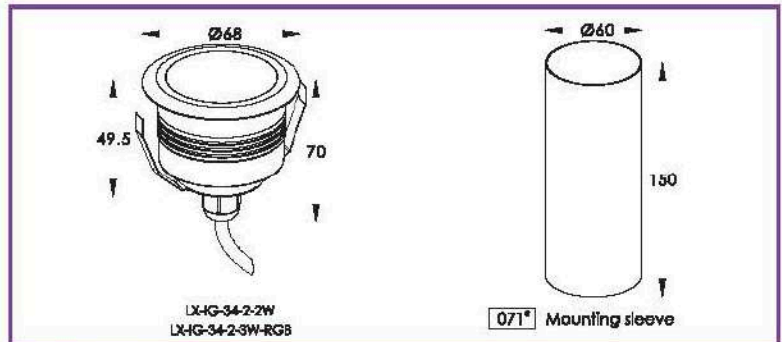




Recessed LED soft beam stair light wall light



LX-IG-34-2-2W
LX-IG-34-2-3W-RGB



Material specifications

Housing	12° Die-casting grey powder coated aluminum . T=60-80µm Adhesion of ISO class 1/ASTM class 4B
Beam windows	50% transmittance PC cover
Operating temperature	-20°C-40°C
Waterproof seal	Rubber seal
Power cable	Low voltage:H05RN-F 2X1.0mm ² L=0.5m High voltage:H05RN-F 3X1.0mm ² L=0.5m RGB:H05RN-F 4X0.75mm ² L=0.5m
Mounting sleeve	PVC 071*



Item	Light source	Input voltage	Current	Consumption	Luminescence	Life rate
LX-IG-34-2-2W	1x2W	24VDC 120/240	24V = 110 120V = 46 240V = 24	24V = 2.6 120V = 2.8 240V = 2.9	Cool white=19 Warm white=20	09
LX-IG-34-2-3W-RGB	1x3W RGB 3in 1 Full color	24VDC	R = 38 G = 53 B = 54	3.5	50	09

Small type Wall mounting Landscape light



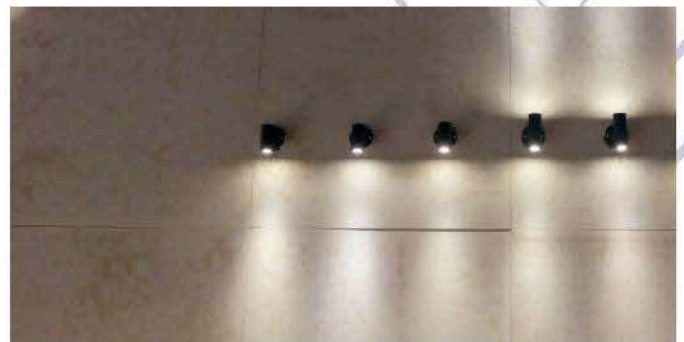
LX-WL-137-1W



LX-WL-137-2W

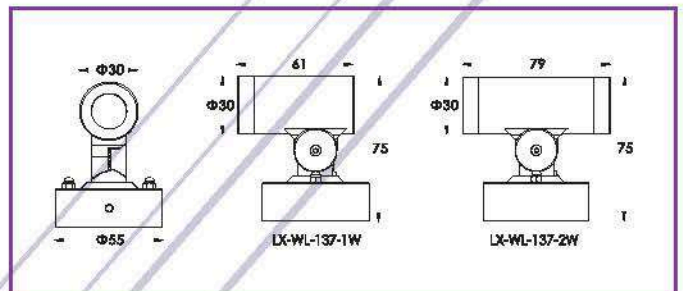
Basic color selection

Powder painting RAL 8019	Powder painting RAL9005	Powder painting RAL9006



Material specifications

Housing	12° Die-casting dark grey powder coated aluminum T=60-80µm Adhesion of ISO class 1/ASTM class 4B
Lens	Al-In-one optical lens, efficiency≥85%
PC cover	UV-Resistance PCT-3.5mm
Driver	Constant current output
Cable gland	IP-48 PG-9 PVC
PCB	Excellent heat conductivity aluminum, coefficient of heat Conductivity≥2.0w/mk
LED	OSRAM LED
Operating temperature	-20℃~40℃
Mounting base	Powder coated die-casting aluminum



Item	Light source	Lens	Degree	Input voltage	Current	Consumption	Luminance	IK rate
LX-WL-137-1W	1x1W	B17	30	24VDC 120/240	48	1.2	Cool white=100 Warm white= 83	02
LX-WL-137-2W	2x1W	B17	30	24VDC 120/240	91	2.2	Cool white=100x2 Warm white= 83x2	02



Wall mounting Landscape light



LX-WL-138-10W

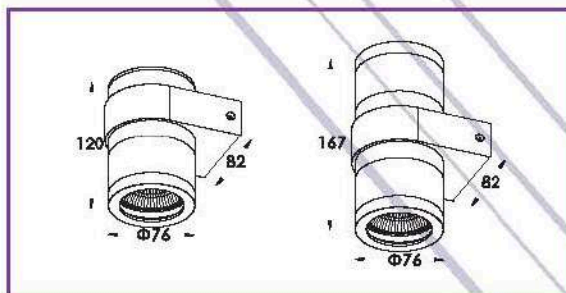


LX-WL-138-16W



Basic color selection

Powder painting RAL 8019	Powder painting RAL9005	Powder painting RAL9006



Material specifications

Housing	12" Die-casting dark grey powder coated aluminum T=60-80µm Adhesion of ISO class 1/ASTM class 4B
Lens	Optical Reflector efficiency ≥ 85%
Glass	Tempered glass. T=6mm
Driver	Constant current output
LED	COB LED 8W
Operating temperature	-20°C ~ 40°C

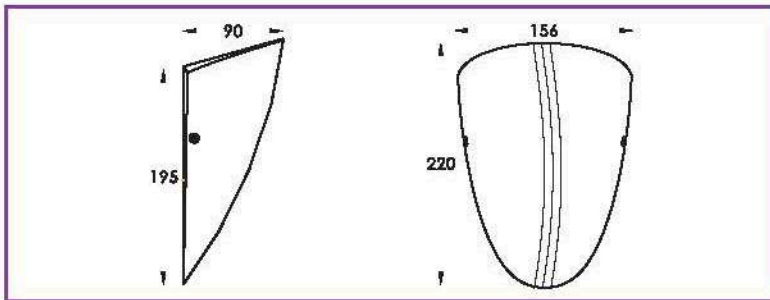
Item	Light source (W)	Lens	Degree	Input voltage (V)	Current (mA)	Consumption (W)	Luminance (Lm)
LX-WL-138-10W	1×10W CITIZEN COB	R8	24	24VDC 120/240	24V = 480 120V = 107 240V = 60	24V = 11.5 120V = 12.6 240V = 12.6	Cool white=932 Warm white=845
LX-WL-138-16W	2×8W CITIZEN COB	R8	24	24VDC 120/240	24V = 822 120V = 182 240V = 103	24V = 19.7 120V = 21.0 240V = 21.0	Cool white=932×2 Warm white=845×2

Wall mounting Landscape lamp

Wall Light



LX-WL-139-12W



Basic color selection

Powder painting RAL 8019	Powder painting RAL9005	Powder painting RAL9006



Material specifications

Housing	12' Die-casting grey powder coated aluminum. T=60-80µm Adhesion of ISO class 1/ASTM class 4B.
Front cover	12' Die-casting aluminum
Glass	Tempered glass.T=3.5mm
LED driver	Constant current output
Operating temperature	-20°C~40°C
Power cable	H05RN-F 3X1.0mm ² L=0.5mm(High voltage)



Applicable COB LED model

R0125C061HM 25°

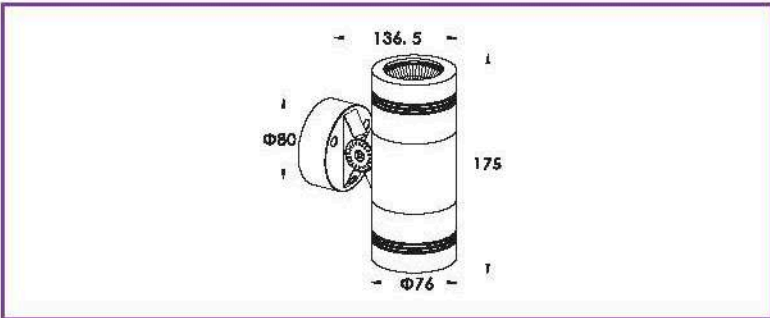
Item	Light source	Lens	Degree	Input voltage	Current	Consumption	Luminance	Ik rate
LX-WL-139-12W	1x12W SHARP COB	R3	25	24VDC 120/240	24V = 576 120V = 110 240V = 60	24V = 13.8 120V = 13.4 240V = 13.1	Cool white=834 Warm white=809	05



Wall mounting landscape lamp



LX-WL-140-16W



Basic color selection

Powder painting RAL 8019	Powder painting RAL9005	Powder painting RAL9006

Material specifications

Housing	12° Die-casting aluminum with Painting T=60-80um Adhesion of ISO class 1/ASTM class 4B
Glass	Tempered glass, t=4mm
Optical Reflector	Optical Reflector efficiency >= 85%
LED	COB LED 2x8W
Operating temperature	Environment -20°C~40°C
Mounting base	casting aluminum

Applicable COB LED model

R8
R0124C050XL 24°

Item	Light source	Lens	Degree	Input voltage	Current	Consumption	Luminance
LX-WL-140-16W	2x8W CITIZEN COB	R8	24	24VDC 120/240	24V = 822 120V = 182 240V = 103	24V = 19.7 120V = 21.0 240V = 21.0	Cool white=932x2 Warm white=845x2

Wall Mounting Landscape Lamp



■ Single Side

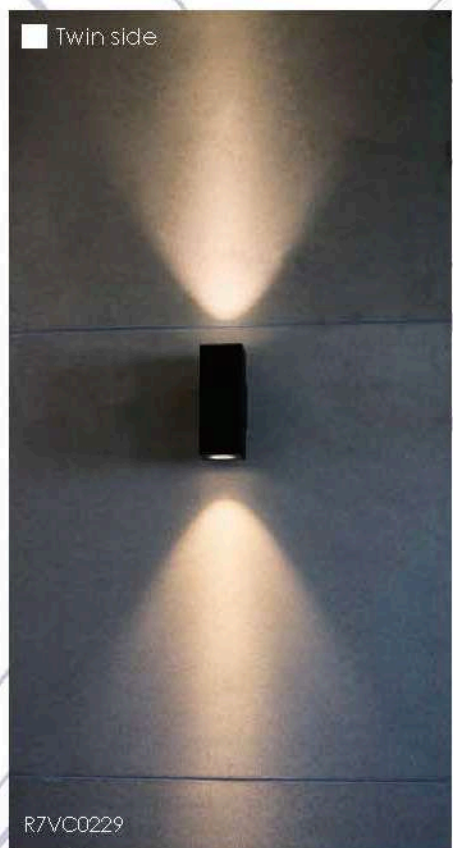
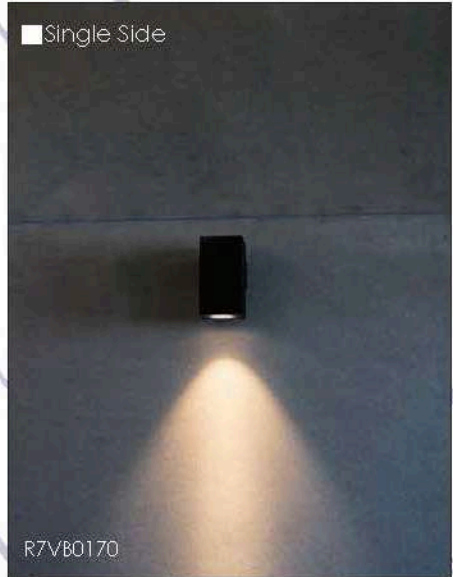
■ Twin side



LX-WL-42-2-18W



LX-WL-42-2-24W

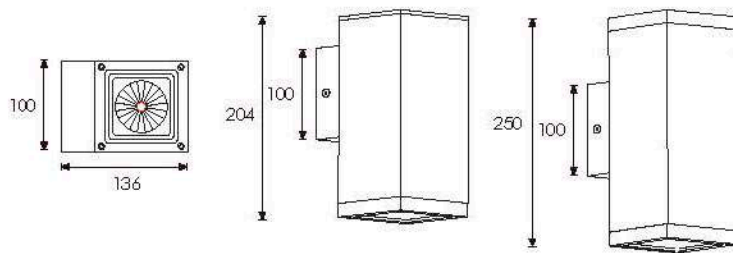


Material specifications

Housing	12* Die-casting dark grey powder coated aluminum. T=60-80µm, Adhesion of ISO class 1/ASTM class 4B
Cover	PC T=6mm
Gasket	Tooling shaped seal
Driver	Main voltage 100V-240V driver inside builded
Operating temperature	-20°C~40°C
Mounting base	H05RN-F 2×1.0mm² L=0.5m (low voltage) H05RN-F 3×1.0mm² L=0.5m (high voltage)

Outer Dimensions

Unit:mm



LX-WL-42-2-18W

LX-WL-42-2-24W

Housing color option

Painting Color:RAL9006 White aluminium color	Painting Color:RAL9005 Gray Brown Color	Painting Color:RAL8019 Jet Black color

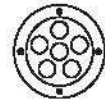
Item	Light source	Lens	Degree	Input voltage	Current	Consumption	Luminance (Lm)	Ik rate
LX-WL-42-2-18W	1×18W COB	R17	18°	24V DC 120/240	24 V=833 120 V=178 240 V= 96	24 V=20 120 V=20 240 V=21	Cool white=1766 Warm white=1705	2
LX-WL-42-2-24W	2×12W COB	R17	18°	24V DC 120/240	24 V=1080 120 V= 211 240 V= 116	24 V=26.0 120 V= 26.5 240 V= 26.0	Cool white=2X1303 Warm white=2X1251	2



Wall mounting landscape lamp



LX-WL-43A-2-18W



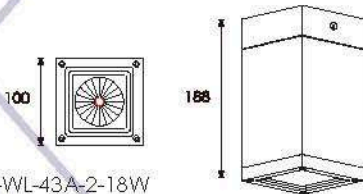
LX-WL-43-2-12W



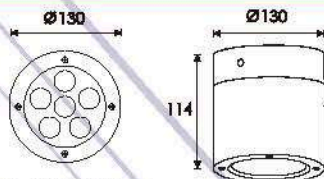
LX-WL-43B-2-18W

Outer Dimensions

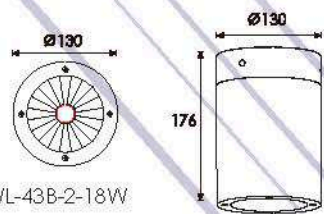
Unit:mm



LX-WL-43A-2-18W



LX-WL-43-2-12W



LX-WL-43B-2-18W

Material specifications

Housing Material	Extruded aluminum alloy #6063;
Painting	Powder coating ,T= 60-80 um./Adhesion of ISO class 1/ASTM class 4B
Reflector	Optical reflector. efficiency≥85%
Light source	COB LED
Operating temperature	-20°C~ 40°C

Item	Light source	Lens	Degree	Input voltage	Current	Consumption	Luminance	Ik rate
LX-WL-43A-2-18W	1×18W COB	R17	18°	24V DC 120/240	24 V=833 120 V=178 240V = 96	24 V=20.0 120 V=20.0 240V=21.0	Cool w hite =1766 Warm white=1705	2
LX-WL-43-2-12W	6×2W	B33D	30°	24V DC 120/240	24 V=562 120 V=100 240V = 56	24 V=13.5 120 V=12.0 240V =12.2	Cool w hite =830 Warm white=681	2
LX-WL-43B-2-18W	1×18W COB	R20	30°	24V DC 120/240	24 V=840 120 V=172 240V = 91	24 V=20.4 120 V=20.6 240V =20.9	Cool w hite =1900 Warm white=1678	2





Wall Mounting Landscape Lamp

Housing color option



Jet Black

Painting color
RAL 9005



White aluminium

Painting color
RAL 9003



Gray

Painting color
RAL 7037

Outer Dimensions

Unit:mm

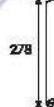
Single Side



LX-WL-41-2-10W



LX-WL-41-2-18W



LX-WL-41-2-25W

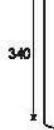
Twin side



LX-WL-41-2-16W



LX-WL-41-2-24W



LX-WL-41-2-36W



Ø80 34 112

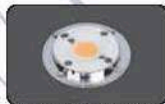


Ø100 40 140



Ø130 50 182

Light Source and Reflector



Applicable COB LED with heat sink module



R8
R0124C050XL 24°



R18
R0112C075XL 12°
R0122C075XL 22°
R0135C075XL 35°
R0155C075XL 55°



R19
R0110C095XL 10°
R0122C095XL 22°
R0138C095XL 38°

Single Side



LX-WL-41-2-10W
300mA



LX-WL-41-2-18W
500mA



LX-WL-41-2-25W
820mA

Twin side



LX-WL-41-2-16W



LX-WL-41-2-24W



LX-WL-41-2-36W

Material specifications

Housing Material	Extruded aluminum alloy #6063;
Painting	Powder coating ,T= 60-80 um./Adhesion of ISO class 1/ASTM class 4B
Reflector	Optical reflector. efficiency≥85%
Light source	Citizen brand COB LED
Operating temperature	-20°C~ 40°C
Weight	R7AH0227=1.4kg R7BH0229=2.7kg R7CH0270=4.6kg R7AH0128=1.0kg R7BH0170=1.9kg R7CH0173=2.5kg



Item



Light source



Lens



Degree



Input voltage



Current



Consumption



Luminescence



Life cycle

Item	Light source	Lens	Degree	Input voltage	Current	Consumption	Luminescence	Life cycle
LX-WL-41-2-10W	1×10W COB	R8	24°	24V DC 120V/240	24 V=480 120V=112 240V= 63	24 V=11.5 120V=13.1 240V=13.5	Cool white =1053 Warm white= 991	10
LX-WL-41-2-18W	1×18W COB	R18	22°	24V DC 120V/240	24 V=833 120V=178 240V= 96	24 V=20.0 120V=20.0 240V=21.4	Cool white =1626 Warm white=1577	10
LX-WL-41-2-25W	1×25W COB	R19	22°	24V DC 120V/240	24 V=1080 120V= 270 240V= 146	24 V=26.0 120V=30.0 240V=31.0	Cool white =2263 Warm white=2185	10
LX-WL-41-2-16W	2×8W COB	R8	24°	24V DC 120V/240	24 V=832 120V=163 240V= 91	24 V=20.0 120V=20.0 240V=20.8	Cool white =2X912 Warm white =2XB14	10
LX-WL-41-2-24W	2×12W COB	R18	22°	24V DC 120V/240	24 V=1080 120V= 210 240V= 116	24 V=26.0 120V=25.5 240V=25.0	Cool white =2X1084 Warm white =2X1043	10
LX-WL-41-2-36W	2×18W COB	R19	22°	24V DC 120V/240	24 V=1660 120V= 340 240V= 182	24 V=40.0 120V=40.5 240V=41.0	Cool white =2X1563 Warm white =2X1646	10

High luminance output wall light



LX-G-1321-2W



LX-G-1322-1W



LX-G-1323-8W



LX-G-1325-1W



LX-G-1326-2W



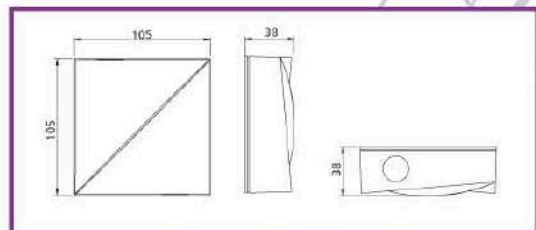
LX-G-1332-4W

Basic color selection

Powder painting Red	Powder painting PANTONE 432U	Powder painting Black

Material specifications

Housing	12# Die-casting powder coated aluminum . T=60-80µm. Adhesion of ISO class 1/ASTM class 4B
Glass	Tempered glass. T=4mm
Driver	Constant current output
Reflector	Optical Reflector, efficiency>85%
Operating temperature	-20°C~40°C
Spike	PVC



Item	Light source	Input voltage	Current	Length	Consumption	Lumiance	Beam angle
LX-G-1321-2W	2x1W	AC90-260V	220V = 60	W85xD65xD140	220V = 7.6	240Lm	06
LX-G-1322-1W	1x1W	AC90-260V	220V = 60	W57xD40xD87	220V = 7.6	120Lm	06
LX-G-1323-8W	8x1W	AC90-260V	220V = 60	ø160xH85	220V = 7.6	960Lm	06
LX-G-1325-1W	1x1W	AC90-260V	220V = 60	W105xL105xH43	220V = 7.6	120Lm	06
LX-G-1326-2W	2x1W	AC90-260V	220V = 60	W105xL105xH38	220V = 7.6	120Lm	06
LX-G-1332-4W	4x1W	AC90-260V	220V = 60	W105xL105xH84	220V = 7.6	880Lm	06



High luminance output wall light



LX-G-1331-1W



LX-G-1334-6W



LX-G-1327-2W



LX-G-1336-6W



LX-G-1337-3W



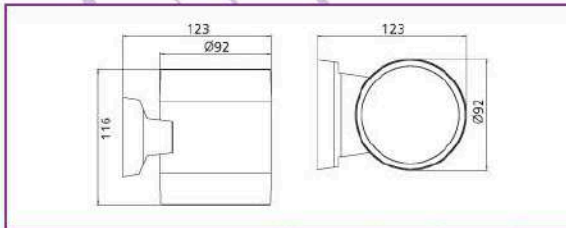
LX-G-1335-3W



Powder painting RAL 9006	Powder painting PANTONE 432U	Powder painting RAL9005

Material specifications

Housing	12# Die-casting powder coated aluminum . T=60-80µm. Adhesion of ISO class 1/ASTM class 4B
Glass	Tempered glass. T=4mm
Driver	Constant current output
Reflector	Optical Reflector, efficiency ≥ 85%
Operating temperature	-20°C~40°C
Spike	PVC



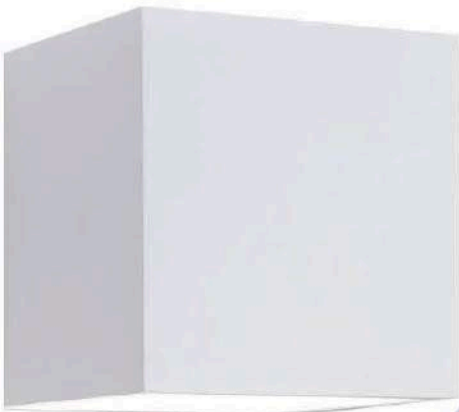
Item	Light source	Input voltage	Current	Length	Consumption	Luminance	Ik rate
LX-G-1327-2W	2x1W	AC90-260V	220V = 60	W120xL46xH125	220V = 7.6	240Lm	06
LX-G-1331-1W	1x1W	AC90-260V	220V = 60	W109xL58xH115	220V = 7.6	240Lm	06
LX-G-1334-6W	2x3W	AC90-260V	220V = 60	ø88xL141xH106	220V = 7.6	720Lm	06
LX-G-1335-3W	1x3W	AC90-260V	220V = 60	ø92xL123xH90	220V = 7.6	360Lm	06
LX-G-1336-6W	2x3W	AC90-260V	220V = 60	W88xW88xL141xH106	220V = 7.6	720Lm	06
LX-G-1337-3W	1x3W	AC90-260V	220V = 60	W88xW88xL141xH85	220V = 7.6	360Lm	06



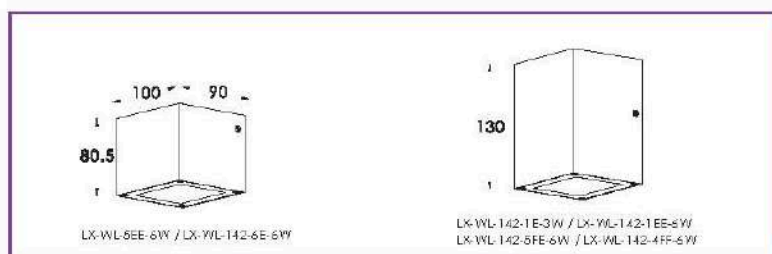
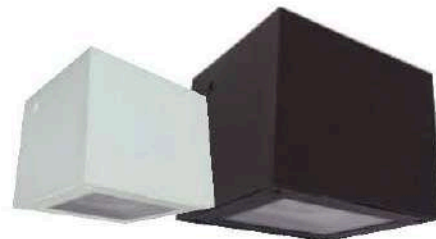
LX-WL-142-1EE-6W

LX-WL-142-5FE-6W

LX-WL-142-4FF-6W



Wall mounting landscape lamp



Basic color selection

Powder painting RAL 8019	Powder painting RAL 9005	Powder painting RAL 9006

Material specifications

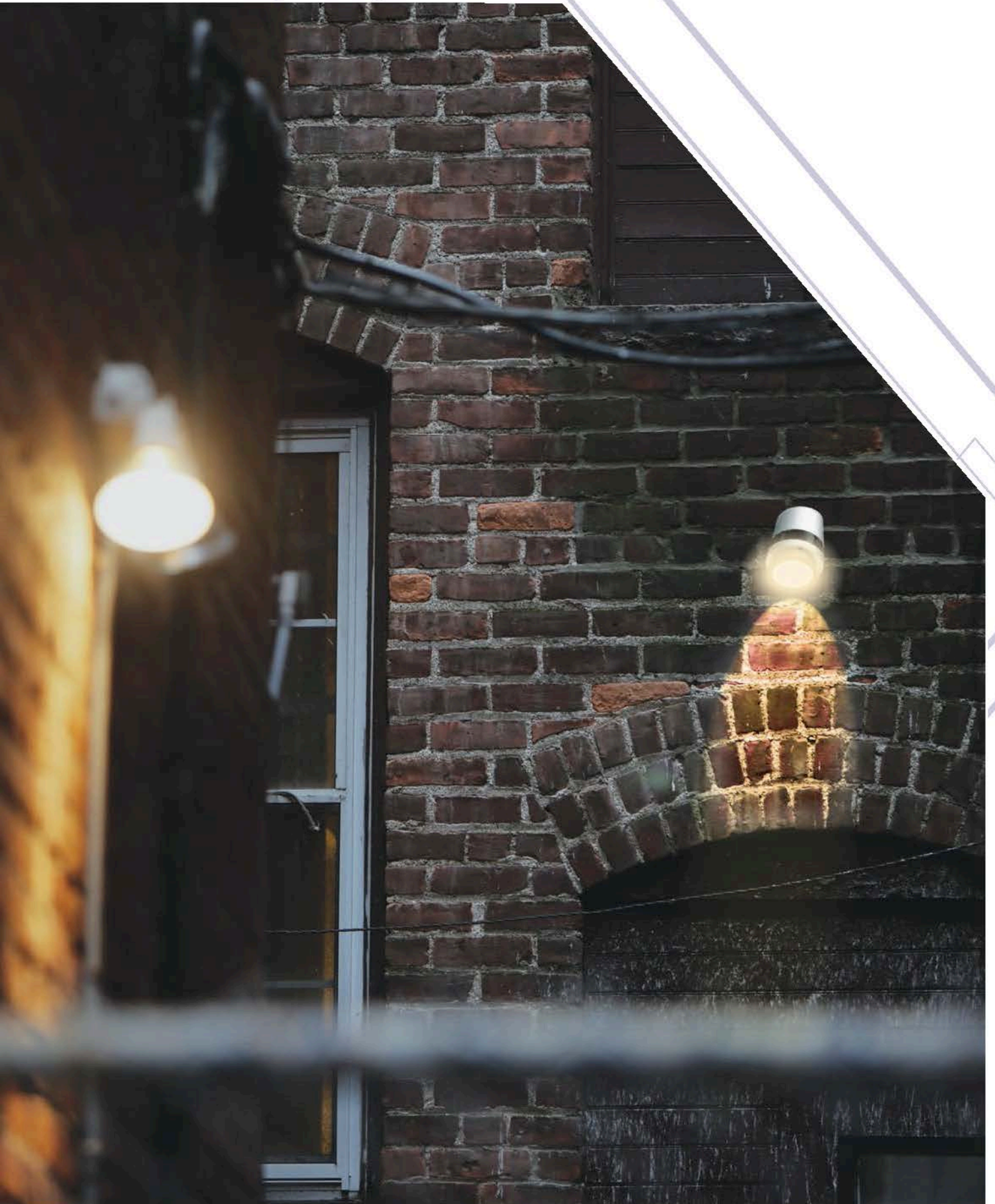
Housing	12# Die-casting aluminum with Painting T=60-80um Adhesion of ISO class 1/ASTM class 4B
Cover	PC T=6mm
Gasket	Tooling shaped seal
Driver	Main voltage 100V-240V driver inside builded
Operating temperature	-20°C~40°C
Power cable	H05RN-F 2X1.0mm ² L=0.5m(low voltage) H05RN-F 3X1.0mm ² L=0.5m(high voltage)

Applicable COB LED modul

R5

R0118C044XL 18°
R0125C044XL 25°
R0140C044XL 40°

Item	Light source	Lens	Degree	Input voltage	Current	Consumption	Luminescence	IK06
LX-WL-142-1E-3W	1X3W NICHIA	—	—	24VDC 120/240	24V = 134 120V = 68 240V = 39	24V = 3.10 120V = 4.40 240V = 4.50	155	06
LX-WL-142-1EE-6W	2X3W NICHIA	—	—	24VDC 120/240	24V = 268 120V = 138 240V = 73	24V = 6.20 120V = 8.80 240V = 8.60	2x155	06
LX-WL-142-5FE-6W	2X3W NICHIA	—	—	24VDC 120/240	24V = 268 120V = 138 240V = 73	24V = 6.20 120V = 8.80 240V = 8.90	—	06
LX-WL-142-4FF-6W	2X3W NICHIA	—	—	24VDC 120/240	24V = 268 120V = 138 240V = 73	24V = 6.20 120V = 8.80 240V = 8.90	—	06
LX-WL-142-5EE-6W	2X6W BRIDGELUX COB	R5	25	24VDC 120/240	24V = 540 120V = 220 240V = 120	24V = 13.0 120V = 15.0 240V = 15.0	Cool white=2x598 Warm white=2x519	06
LX-WL-142-6E-6W	1X6W BRIDGELUX COB	R5	25	24VDC 120/240	24V = 270 120V = 110 240V = 60	24V = 6.50 120V = 7.60 240V = 7.60	Cool white=598 Warm white=517	06

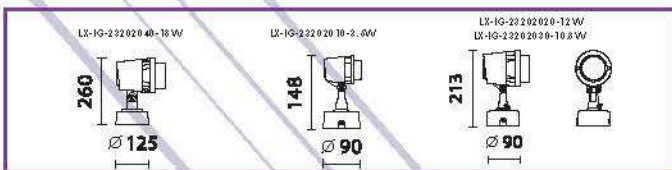
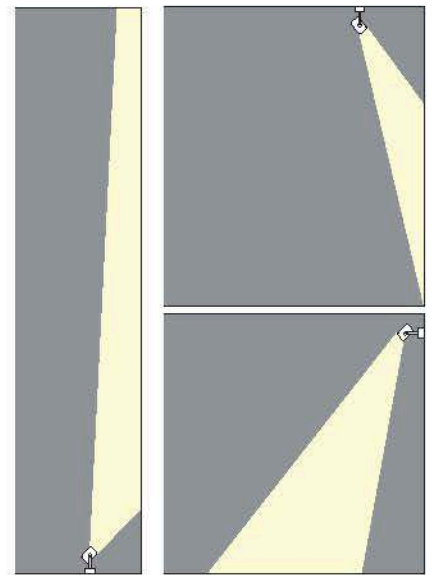




Wall mounting Landscape light



LX-IG-23202030-10.8W



Material specifications

Housing	12° Die-casting dark grey powder coated aluminum T=60-80µm Adhesion of ISO class 1/ASTM class 4B
Lens	All-in-one optical lens, efficiency ≥ 85%
PC cover	UV-Resistance PCT=3.5mm
Driver	Constant current output
Cable gland	IP-68 PG-9 PVC
PCB	Excellent heat conductivity aluminum, coefficient of heat Conductivity ≥ 2.0w/mk
LED	OSRAM LED
Operating temperature	-20°C~40°C
Mounting base	Powder coated die-casting aluminum

Item	Light source	Degree	Input voltage	Current	Consumption	Lumiance	Ik rate
LX-IG-23202010 -3.6W	3x1.2W OSRAM LED	30	24VDC 120/240	24V = 268 120V = 138 240V = 73	24V = 6.20 120V = 8.80 240V = 8.60	300	6
LX-IG-23202020 -12W	4x3W OSRAM LED	30	24VDC 120/240	24V = 1072 120V = 552 240V = 292	24V = 24.80 120V = 35.20 240V = 34.40	640	6
LX-IG-23202030 -10.8W	9x1.2W OSRAM LED	30	24VDC 120/240	24V = 972 120V = 452 240V = 192	24V = 23.80 120V = 34.20 240V = 33.40	900	6
LX-IG-23202040 -18W	15x1.2W OSRAM LED	30	24VDC 120/240	24V = 2402 120V = 1380 240V = 850	24V = 75.40 120V = 75.60 240V = 73.20	1500	6





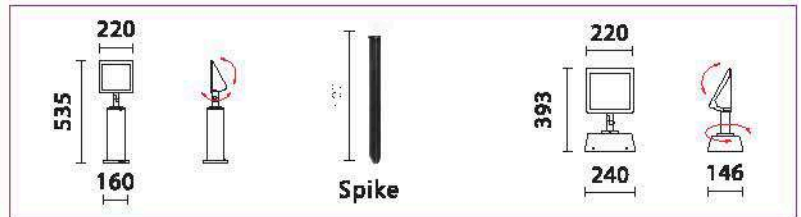
Wall mounting Landscape light



LX-G-2340302-60W

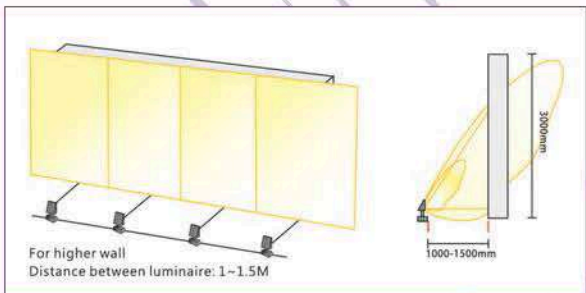


LX-G-2340301-60W



Material specifications

Housing	12° Die-casting dark grey powder coated aluminum T=60-80µm Adhesion of ISO class 1/ASTM class 4B
Lens	Optical Reflector efficiency >85%
Glass	Tempered glass. T=6mm
Driver	Constant current output
LED	COB LED 8W
Operating temperature	-20°C~40°C



Item	Light source	Lens	Degree	Input voltage	Current	Consumption	Lumiance	Ik robe
LX-G-2340301-60W	30x2W OSRAM LED		90°	24VDC 120/240	500mA	60	4800	9
LX-G-2340302-60W	30x2W OSRAM LED		90°	24VDC 120/240	500mA	60	4800	9





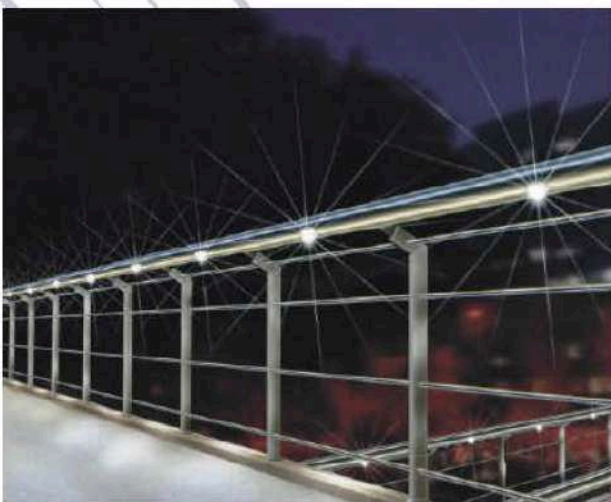
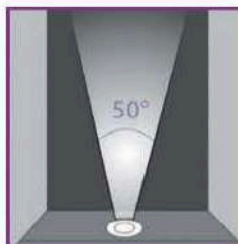
Led ceiling light



LX-IG-71107010-1W

Basic color selection

Powder painting RAL 9006	Powder painting PANTONE 432u	Powder painting RAL9005

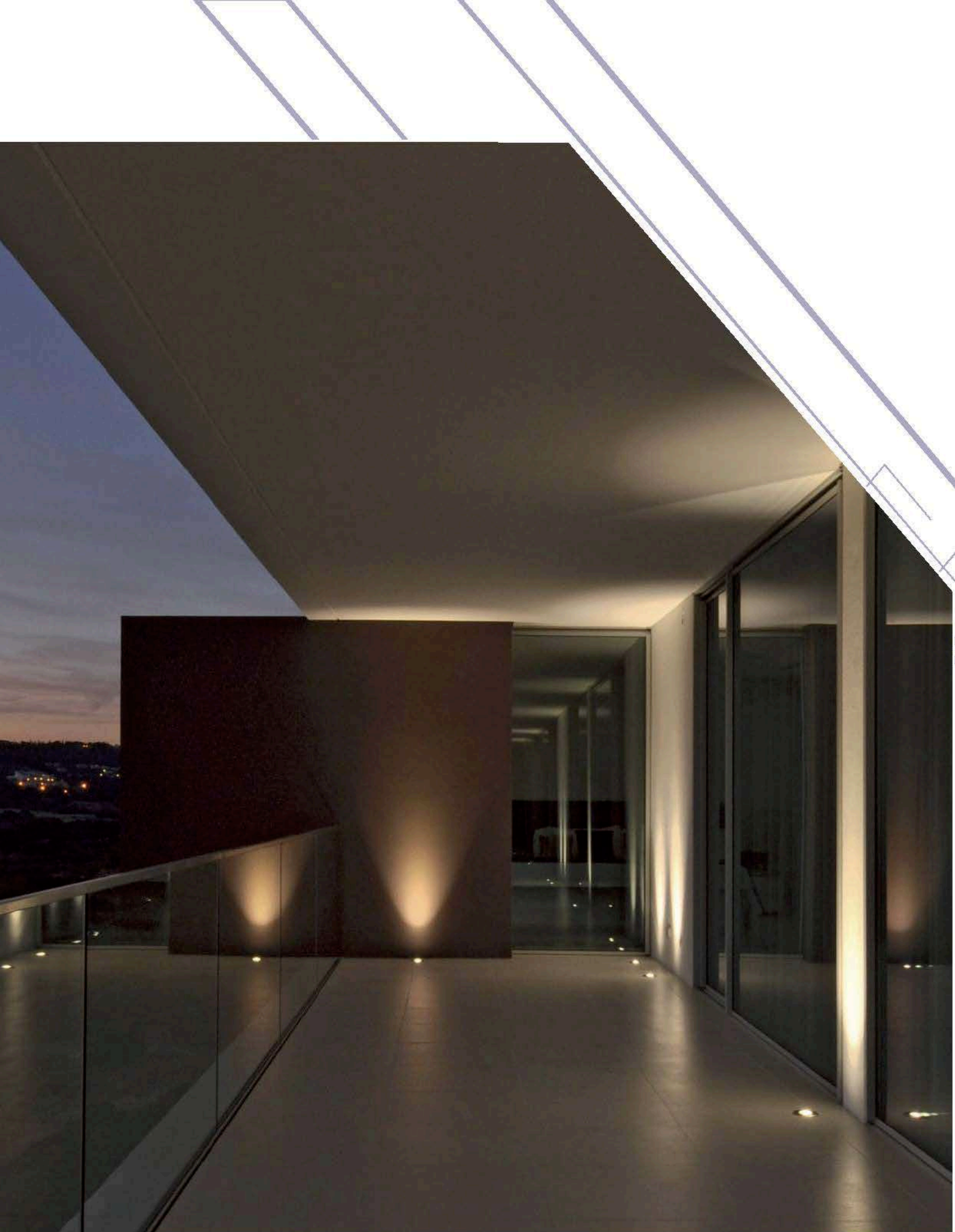


Driver:	Constant Current
Current:	350mA ; 500mA
Housing:	Aluminum
Color:	White , Black , Silver Grey
Operating Temperature Range:	-20°C Till +50°C
Dimmable:	Optional
LED:	PHILIPS LED
Beam angle:	50°
CRI:	Warm White 80+ , Neutral White 80+ , Cool White 80+
Color Temperature:	Warm White 2700/3000K , Neutral White 4000K , Cool White 6000K , RGB

Item	Light source (W)	Degree	Input voltage	Current	Consumption (W)	Luminance (Lm)	Fl. rate (IK)
LX-IG-71107010-1W	1x1W PHILIPS LED	50	24VDC 120/240	24V = 51 120V = 30 240V = 17	24V = 1.2 120V = 1.8 240V = 1.8	90	09
LX-IG-71107010-1W-RGB	1x1W RGB 3in1 PHILIPS LED	50	24VDC	24V = 51 120V = 30 240V = 17	1.2	90	09









Mini size LED inground light Stainless steel front cover



LX-IG-ZBS2-0.5W
LX-IG-ZBS2-2W



LX-IG-ZBR1-0.5W
LX-IG-ZBR1-2W



LX-IG-ZBS1-0.5W
LX-IG-ZBS1-2W



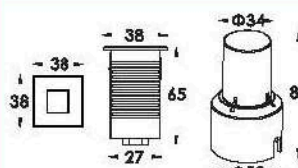
LX-IG-ZBR2-0.5W
LX-IG-ZBR2-2W



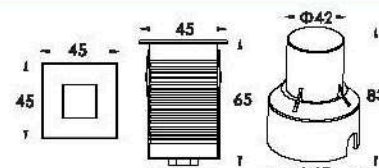
Bright Light Output
Strong light presented by 2W LED



Soft Light Output
Soft light presented by 0.5W LED



032^ø Mounting sleeve
LX-IG-ZBR1-0.5W / LX-IG-ZBS1-0.5W
LX-IG-ZBR1-2W / LX-IG-ZBS1-2W



033^ø Mounting sleeve
LX-IG-ZBR2-0.5W / LX-IG-ZBS2-0.5W
LX-IG-ZBR2-2W / LX-IG-ZBS2-2W

Material specifications

Housing	12' Die-casting dark grey powder coated aluminum T=60-80µm Adhesion of ISO class 1/ASTM class 4B
Front cover	Stainless steel SUS 316 ^ø
Glass	Frosted step tempered glass, T=5mm
Glass pressure capacity	Full area=254kgs
Operating temperature	-20°C~40°C
Power cable	H05RN-F 2X1.0mm ² L=0.5m (low voltage)
Mounting sleeve	PVC 032 ^ø 033 ^ø



Item



Light source



Input voltage



Current



Consumption

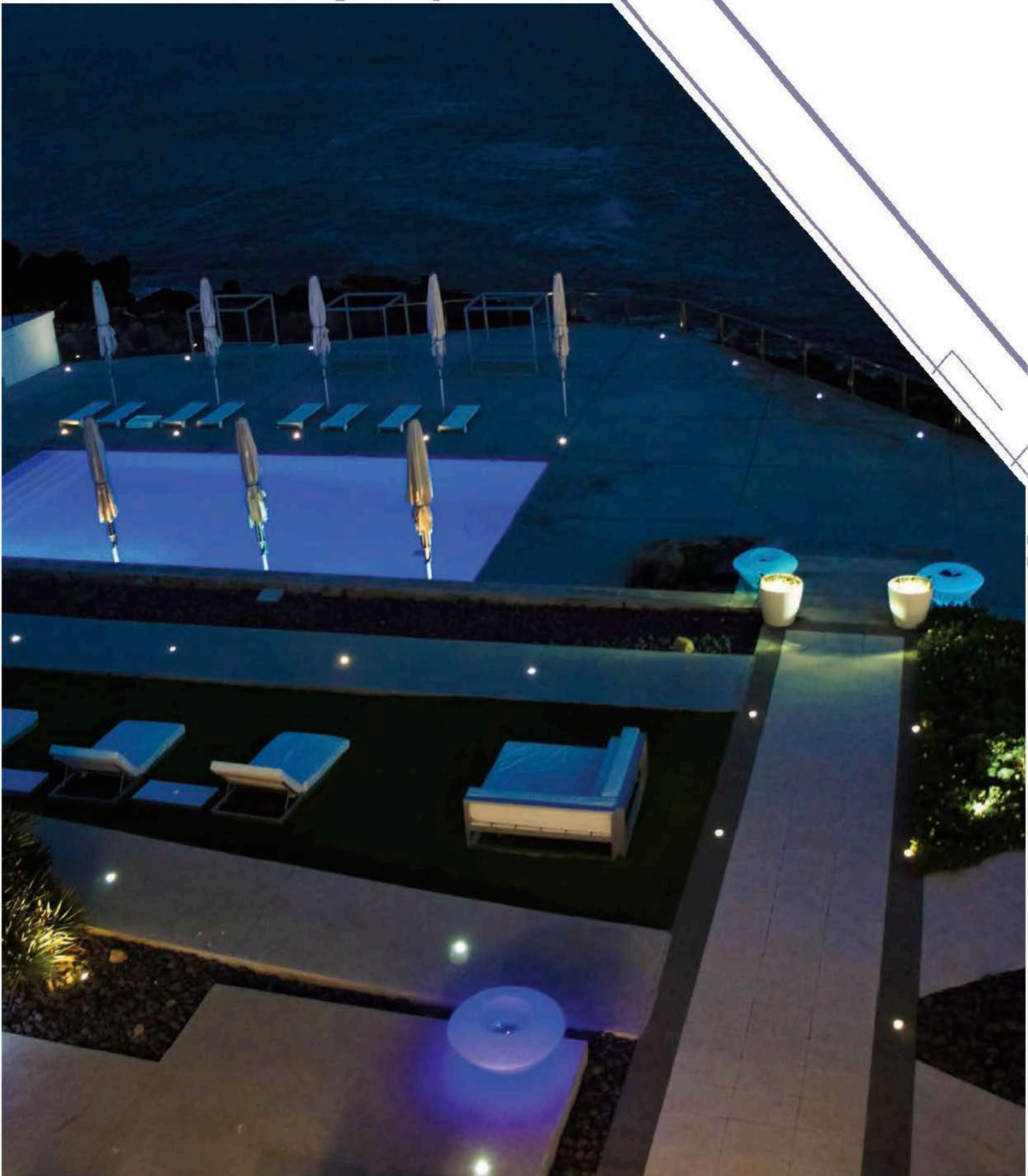


Luminescence



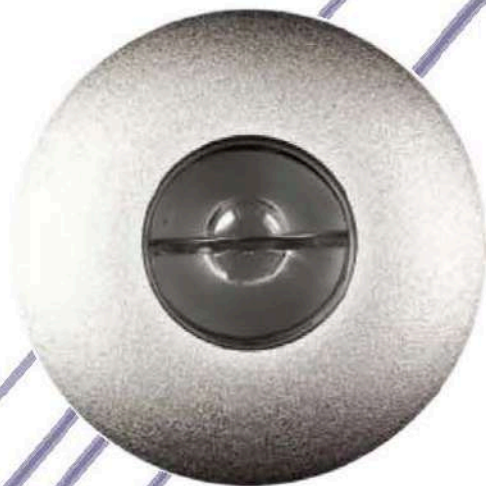
Life rate

○ LX-IG-ZBR1-0.5W □ LX-IG-ZBS1-0.5W	1×0.5W NICHIA	24VDC 220/240	26	0.6	Cool white=11.0 Warm white=9.60	06
○ LX-IG-ZBR1-2W □ LX-IG-ZBS1-2W	1×2.0W OSRAM	24VDC 220/240	87	2.1	Cool white=31.0 Warm white=25.0	06
○ LX-IG-ZBR2-0.5W □ LX-IG-ZBS2-0.5W	1×0.5W NICHIA	24VDC 220/240	26	0.6	Cool white=11.0 Warm white=9.60	06
○ LX-IG-ZBS2-2W □ LX-IG-ZBR2-2W	1×2.0W OSRAM	24VDC 220/240	110	2.5	Cool white=31.0 Warm white=25.0	06





Cambered front lid inground and up light



LX-IG-43A-2W
Asymmetrical

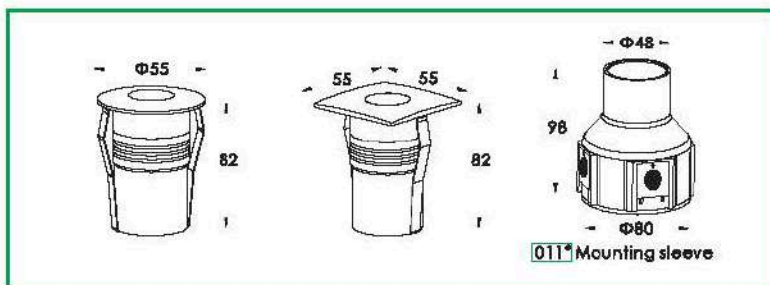
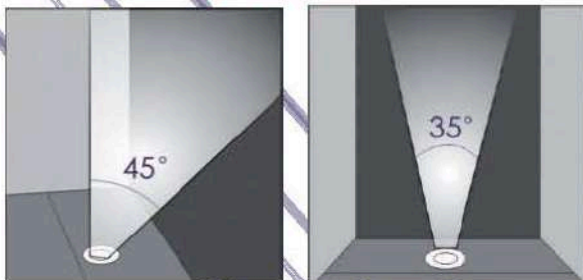


LX-IG-43R-2W
LX-IG-43R-2W-RGB



LX-IG-43S-2W
LX-IG-43S-2W-RGB

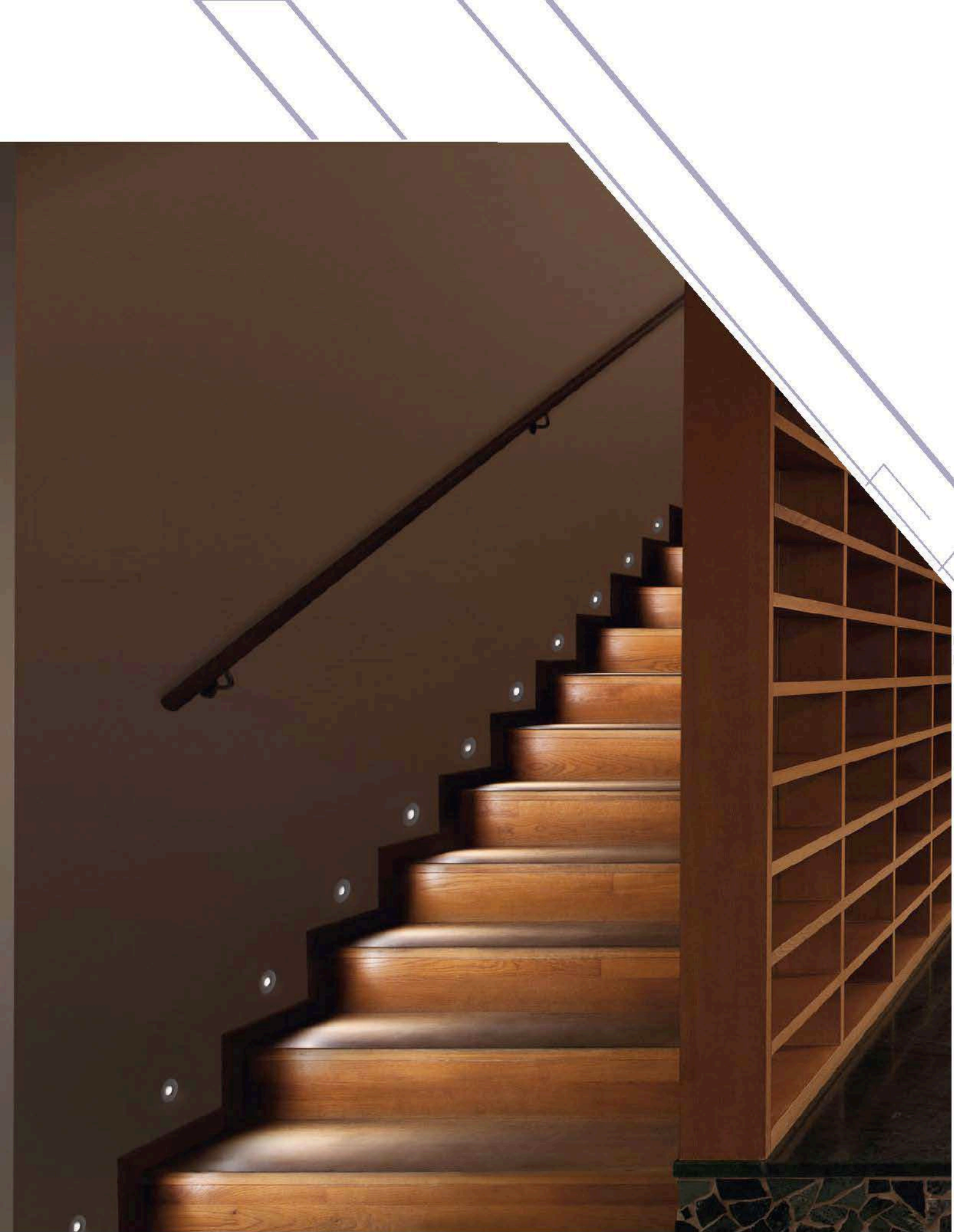
Impression drawing of LX-IG-43A-2W



Material specifications

Housing	12° Die-casting dark grey powder coated aluminum T=60-80µm Adhesion of ISO class 1/ASTM class 4B
Front ring	Stainless steel SUS316°
Glass	Step tempered glass. T=7mm
Glass pressure capacity	Full area=1704kgs
Gasket	Molding shaped silicone seal
Lens	Optical lens, efficiency≥85%
Operating temperature	-20°C-40°C
Power cable	H05RN-F 2X1.0mm² L=0.5m (low voltage) H05RN-F 3X1.0mm² L=0.5m (high voltage) H05RN-F 4X0.75mm² L=0.5m (for RGB)
Mounting sleeve	PVC 011°

Item	Light source (W)	Lens	Degree	Input voltage (V _{in})	Current (A)	Consumption (W)	Lumiance (Lm)	IK rate
○ LX-IG-43R-2W	1X2W	B33D	20	24VDC	24V = 1.10 120V = 48 240V = 28	24V = 2.6 120V = 3.0 240V = 3.1	Cool white=130 Warm white=110	08
□ LX-IG-43S-2W								
○ LX-IG-43R-2W-RGB	1X2W RGB 3in1 Full color	B34D	20	24VDC	R = 38 G = 53 B = 54	3.5	54	08
□ LX-IG-43S-2W-RGB								
○ LX-IG-43A-2W	1X2W	C9	45 35	24VDC	24V = 1.10 120V = 48 240V = 28	24V = 2.6 120V = 3.0 240V = 3.1	Cool white=120 Warm white=102	08





Small size LED inground lamp



smooth surface light



LX-IG-46R-1W

LX-IG-46S-1W



strong up light



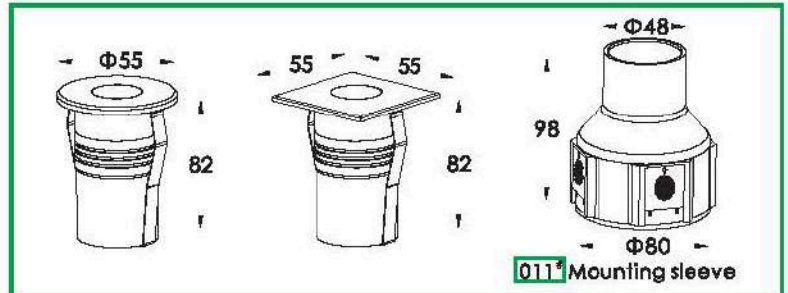
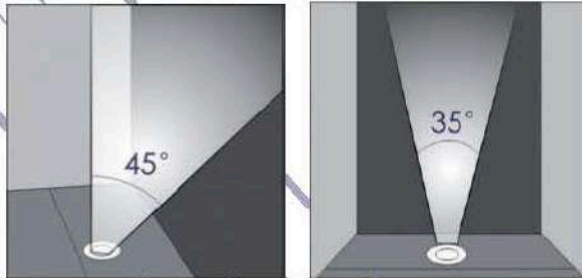
LX-IG-45R-2W
LX-IG-45R-2W-RGB

LX-IG-45S-2W
LX-IG-45S-2W-RGB



LX-IG-45-2W
Asymmetrica

Impression drawing of LX-IG-45-2W



Material specifications

Housing	12" Die-casting dark grey powder coated aluminum T=60-80µm Adhesion of ISO class 1/ASTM class 4B
Front ring	Stainless steel SUS 316"
Glass	Step tempered glass, T=7mm
Glass pressure capacity	Full area=1704kgs
Gasket	Molding shaped silicone seal
Lens	Optical lens, efficiency≥85%
Operating temperature	-20°C~40°C
Power cable	H05RN-F 2X1.0mm ² L=0.5m (low voltage) H05RN-F 3X1.0mm ² L=0.5m (high voltage) H05RN-F 4XD.75mm ² L=0.5m (for RGB)
Mounting sleeve	PVC 011"

Item	Light source	Lens	Degree	Input voltage	Current	Consumption	Lumiance	Ik rate
○ LX-IG-45R-2W	1X2W	B34D	20	24VDC 120/240	24V = 105	24V = 2.5 120V = 3.0 240V = 3.1	Cool white=130 Warm white=110	08
□ LX-IG-45S-2W					120V = 47 240V = 28			
○ LX-IG-45R-2W-RGB	1X2W RGB 3in1 Full color	B34D	20	24V DC	R = 38	3.5	48.9	08
□ LX-IG-45S-2W-RGB					G = 53 B = 54			
○ LX-IG-45-2W	1X2W	C9	45 35	24VDC 120/240	24V = 105	24V = 2.5 120V = 3.0 240V = 3.1	Cool white=120 Warm white=102	08
□ LX-IG-45-2W					120V = 47 240V = 28			
○ LX-IG-46R-1W	3XSMD5050	—	—	24V DC	24V = 54	24V = 1.3 120V = 1.0 240V = 1.0	Cool white=1.8 Warm white=1.6	08
□ LX-IG-46S-1W					120V = 15 240V = 10			

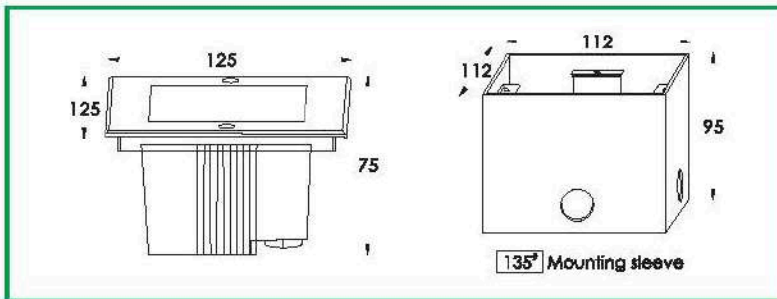
Recessed inground light



LX-IG-65-4W
Symmetrical



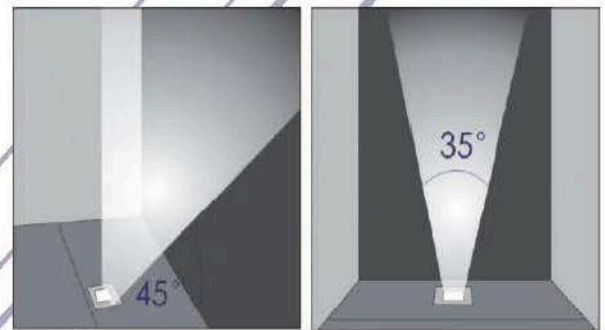
LX-IG-66-4W
Asymmetrical



Material specifications

Housing	12° Die-casting grey powder coated aluminum . T=60-80µm. Adhesion of ISO class 1/ASTM class 4B
Front ring	Stainless steel SUS 316L°
Lens	Optical lens, efficiency≥85%
Glass	Step tempered glass. T=8mm
Glass pressure capacity	Full area=3118kgs
Gasket	Molding shaped silicone seal
Operating temperature	-20°C~40°C
Power cable	H05RN-F 2X1.0mm² L=0.5m (low voltage) H05RN-F 3X1.0mm² L=0.5m (for Single color/high voltage)
Mounting sleeve	135° Power coated Iron T=1.5mm

Impression drawing of LX-IG-66-4W



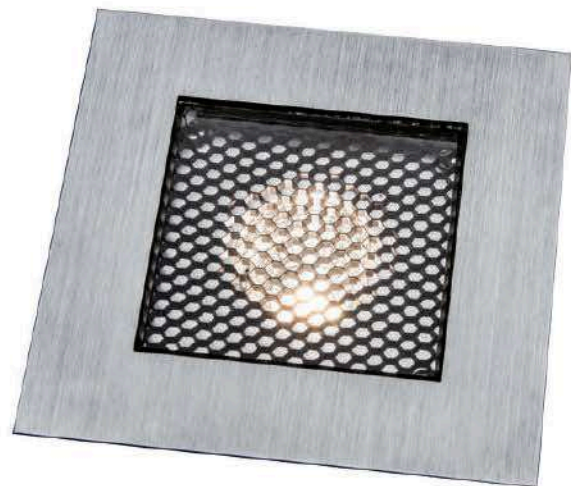
Item	Light source	Beam	Degree	Input voltage	Current	Consumption	Luminance	IK rate
LX-IG-65-4W	4x1W	B33D	20	24VDC 120/240	24V = 188 120V = 76 240V = 42	24V = 4.5 120V = 5.1 240V = 5.1	Cool white=420 Warm white=326	09
LX-IG-66-4W	4x1W	C9	45 35	24VDC 120/240	24V = 188 120V = 76 240V = 42	24V = 4.5 120V = 5.1 240V = 5.1	Cool white=262 Warm white=221	09



Recessed Inground Light



LX-IG-9-2-3W

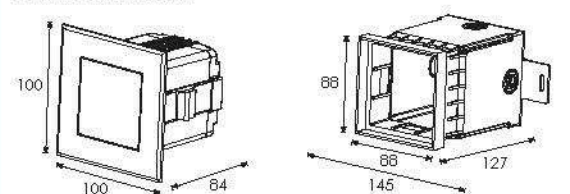


LX-IG-9-2-6W

Material specifications

Housing	1 ² Die-casting dark grey powder coated aluminum T=60-80µm Adhesion of ISO class 1/ASTM class 4B
Front cover	Stainless steel SUS316L*
Glass	Tempered coating white glass, T=8mm
Glass pressure capacity	Full area=405kgs
Gasket	Molding shaped silicone seal
Driver	Constant current output
Cable gland	IP-67 copper and nickel coated
LED	SMD3020 type low power LED
Operating temperature	-20°C~40°C
PCB	Excellent heat conductivity aluminum, coefficient of heat conductivity ≥ 2.0w/mk
Power cable	H05RN-F 3X1.0mm ² L=0.5m (high voltage)
Mounting sleeve	136°, 135° Zinc plated mounting sleeve grey powder Coated, T=60-80µm. Adhesion of ISO class 1/ASTM class 4B

Outer Dimensions



LX-IG-9-2-3W | LX-IG-9-2-6W

092*

Item	Light source	Lens	Input voltage	Current	Consumption	Luminaire	Ik rate
LX-IG-9-2-3W	16 × 0.2W	—	120/240	120V = 58 240V = 34	120V = 3.7 240V = 3.8	Cool w white = 72 Warm white = 65	8
LX-IG-9-2-6W	1 × 6W	R5:25°	120/240	120V = 72 240V = 40	120V = 8.4 240V = 8.6	Cool w white = 713 Warm white = 689	8

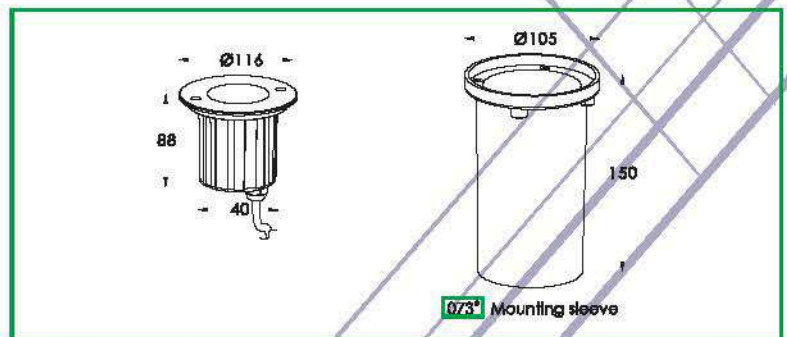
Beam angle adjustable inground light



LX-IG-2ADJ-3W



LX-IG-2ADJ-3W-HM



Material specifications

Housing	12" Die-casting dark gray powder coated aluminum T=60-80µm Adhesion of ISO class 1/ASTM class 4B
Front cover	Stainless steel SUS 316L*
Glass	Step tempered clear glass, T=6mm
Lens	Optical lens efficiency ≥85%
LED	OSRAM LED
Glass pressure capacity	Full area=1226kgs
Cable gland	IP-68 PG-9 PVC
Gasket	Molding shaped seal
Driver	Constant current output
Operating temperature	-20°C~40°C
Power cable	H05RN-F 3X1.0mm² L=0.5m (high voltage)
Mounting sleeve	PVC 073*

	Beam	Light source	Lens	Degree	Input voltage	Current	Consumption	Lumiance (Lm)	Ik rate
LX-IG-2ADJ-3W	3X1W	B15	20	24VDC 120/240	24V = 131 120V = 72 240V = 40	24V = 3.1 120V = 4.6 240V = 4.8	Cool white=303 Warm white=224	09	
LX-IG-2ADJ-3W-HM	3X1W	B15	20	24VDC 120/240	24V = 131 120V = 72 240V = 40	24V = 3.1 120V = 4.6 240V = 4.8	Cool white=303 Warm white=224	09	



Beam angle adjustable inground light



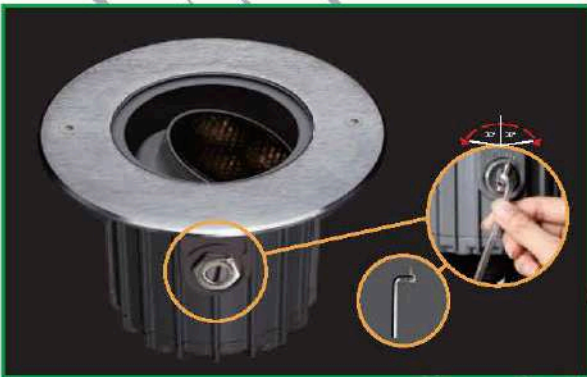
LX-IG-ADJ-18W



LX-IG-2ADJ-6W
LX-IG-2ADJ-6W-RGB



LX-IG-2ADJ-6W-HM
LX-IG-2ADJ-6W-HM-RGB



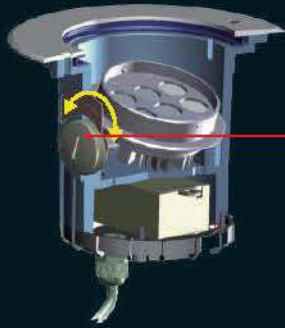
Material specifications

Housing	12" Die-casting dark grey powder coated aluminum T=60-80µm Adhesion of ISO class 1/ASTM class 4B
Front cover	Stainless steel SUS 316L
Glass	Step tempered glass, T=8mm
Lens	Optical lens efficiency ≥ 90%
LED	OSRAM LED
Glass pressure capacity	Full area= 2229kgs
Cable gland	IP-68 PG-9 PVC
Gasket	Molding shaped silicone seal
Driver	Constant current output
Operating temperature	-20°C~40°C
Power cable	H05RN-F 3X1.0mm ² L=0.5m (high voltage) H05RN-F 4X0.75mm ² L=0.5m (for RGB)
Mounting sleeve	PVC 072

Item	Light source (CW)	Lens	Degree	Impulse voltage (U _{imp})	Current (I _{imp})	Consumption (CW)	Luminance (Lm)	Ik rate (IK10)
LX-IG-2ADJ-6W	3x2W	B33D	20	24VDC 120/240	24V = 236 120V = 51 240V = 30	24V = 5.6 120V = 4.0 240V = 6.0	Cool white=479 Warm white=376	09
LX-IG-2ADJ-6W-HM	3x2W	B33D	20	24VDC 120/240	24V = 236 120V = 51 240V = 30	24V = 5.6 120V = 6.0 240V = 6.0	Cool white=400 Warm white=282	09
LX-IG-34-2-6W-RGB	4x1.5W RGB full color	B2	30	24V DC	R=125 G=125 B=125	9	105	09
LX-IG-2ADJ-6W-HM-RGB	4x1.5W RGB full color	B2	30	24V DC	R=125 G=125 B=125	9	85	09
LX-IG-ADJ-18W	12x1.5W OSRAM	B33D	25	24VDC 120/240	24V = 708 120V = 153 240V = 90	24V = 16.8 120V = 18 240V = 18	Cool white=1885 Warm white=1389	10

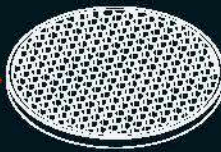
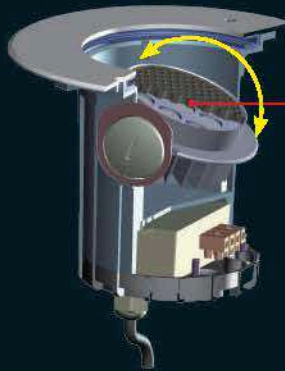
Feature

💡 A simplicity of wider angle adjustment



In accordance to the environment require to adjust the angle of light

💡 Honey comb - Good choice for soft light



The honey comb louver will be synchronized changed along with the light beam angle

💡 Luminous beam comparison before the adjustment

The light of vertical direction

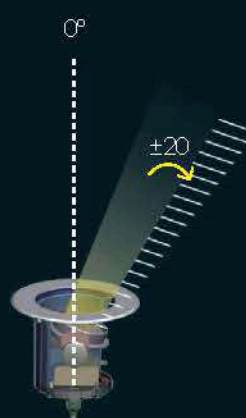
Typical luminance (vertical direction)



Cool White=188.5
Warm White=138.9

The view of light direction when the light angle moved

The rest of luminance after moving 20 degrees



Cool White=1.621
Warm White=11.95



Adjustable Beam Direction Series



LX-IG-2ADJ-2W

LX-IG-2ADJ-3W-HM

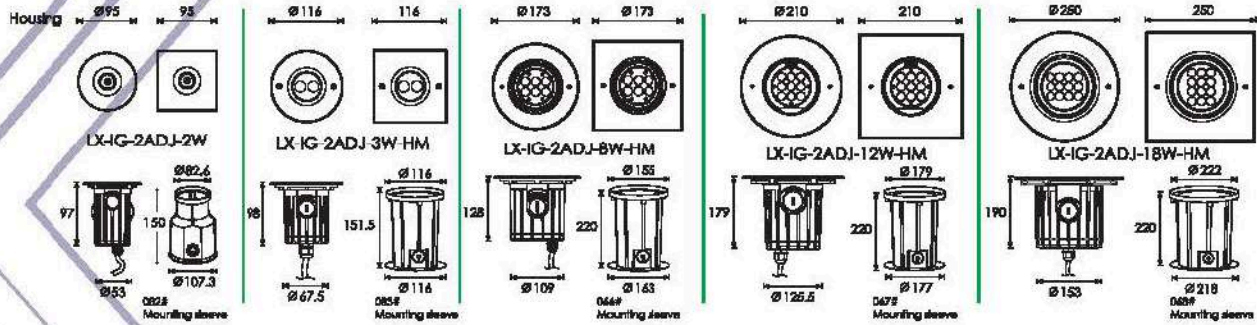
LX-IG-2ADJ-8W-HM

LX-IG-2ADJ-12W-HM

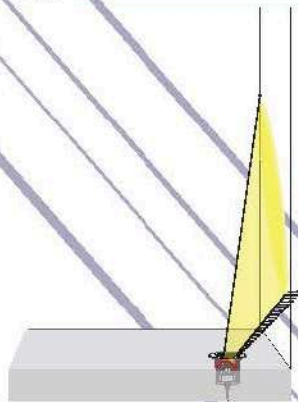
LX-IG-2ADJ-18W-HM

Outer Dimensions

Unit:mm



Beam Effect Demo



Material specifications

Housing	12# die-casting grey powder coated aluminum . T=60-80µm. Adhesion of ISO class 1/ASTM class 4B
Front cover	Hard chromeplated stainless steel SUS 316L#
Glass	Step tempered white coating glass.T=10mm
Cable gland	IP-68 PVC PG-9
Gasket	Molding shaped seal
LED Driver	Constant Voltage Input, Constant Current Output
Operating temperature	-20°C~40°C
Power cable	H07RN-F 2X1.0mm ² L=0.5m (low voltage) H07RN-F 3X1.0mm ² L=0.5m (high voltage)
Mounting sleeve	ABS Housing with diron base

Optional Honeycomb louver



Item	Light source	Lens	Louver	Beam	Input voltage	Current	Consumption	Luminance	Ik rate
<input type="checkbox"/> LX-IG-2ADJ-2W	1×2W	B33D	N/A	20°	24V DC 120/240	24 V = 110 120 V = 43 240 V = 27	24 V = 2.6 120 V = 3.2 240 V = 3.2	Cool white = 147 Warm white = 122	09
<input type="checkbox"/> LX-IG-2ADJ-3W-HM	2×1.5W	B17	Mh001	20°	24V DC 120/240	24 V = 150 120 V = 36 240 V = 24	24 V = 3.6 120 V = 3.8 240 V = 3.8	Cool white = 250 Warm white = 190	09
<input type="checkbox"/> LX-IG-2ADJ-8W-HM	6×1.2W	B17	Mh002	20°	24V DC 120/240	24 V = 325 120 V = 70 240 V = 46	24 V = 7.8 120 V = 9.2 240 V = 9.2	Cool white = 700 Warm white = 570	10
<input type="checkbox"/> LX-IG-2ADJ-12W-HM	9×1.2W	B17	Mh003	20°	24V DC 120/240	24 V = 500 120 V = 112 240 V = 64	24 V = 12.0 120 V = 13.2 240 V = 13.2	Cool white = 1003 Warm white = 790	10
<input type="checkbox"/> LX-IG-2ADJ-18W-HM	12×1.5W	B27	Mh004	13°	24V DC 120/240	24 V = 1020 120 V = 151 240 V = 82	24 V = 24.5 120 V = 18.2 240 V = 18.2	Cool white = 1885 Warm white = 1389	10

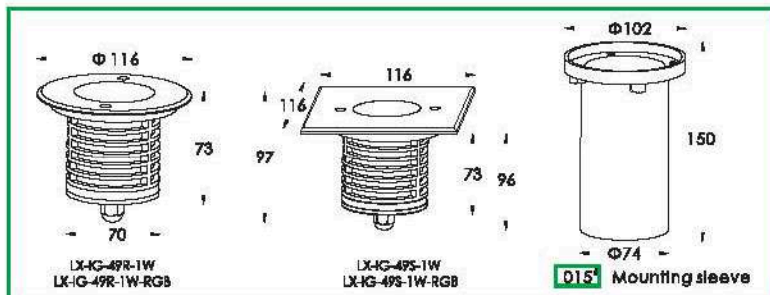
Surface light LED inground lamp



LX-IG-49R-1W
LX-IG-49R-1W-RGB

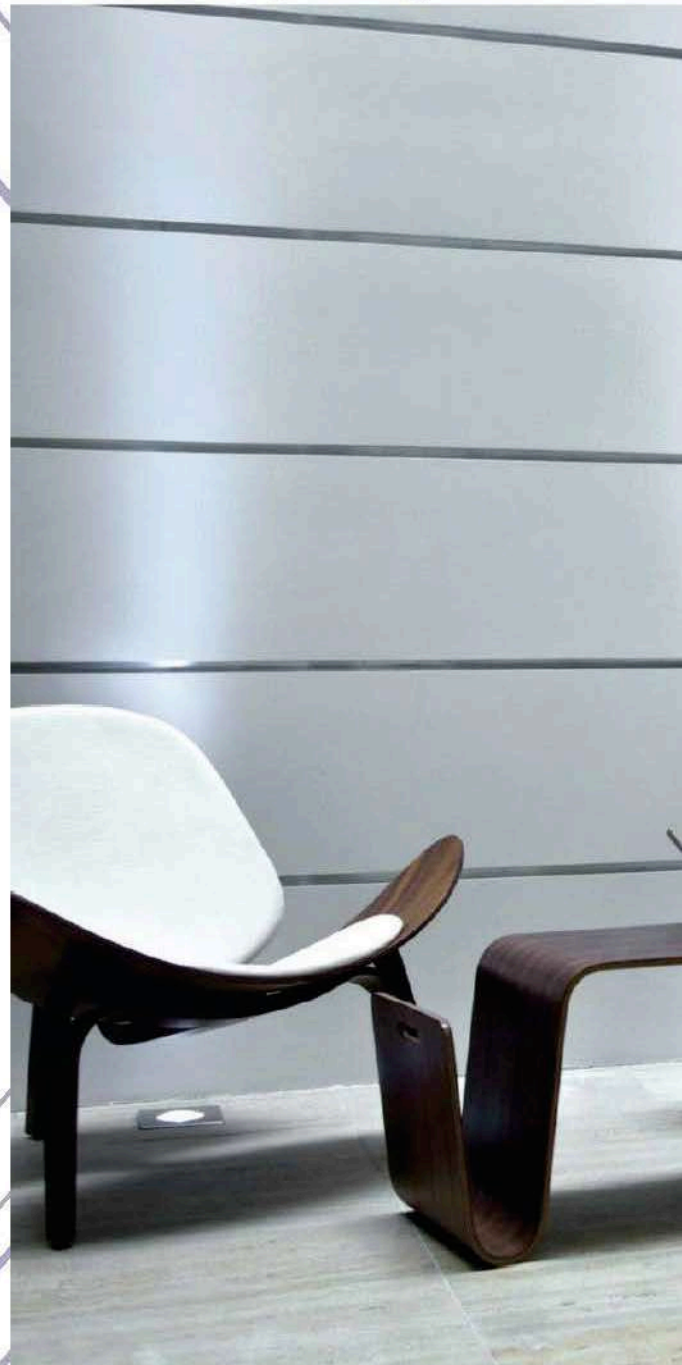


LX-IG-49S-1W
LX-IG-49S-1W-RGB



Material specifications

Housing	12° Die-casting dark grey powder coated aluminum T=60-80µm Adhesion of ISO class 1/ASTM class 4B
Front cover	Stainless steel SUS 316L ¹
Glass	Step tempered white coating glass. T=8mm
Glass pressure capacity	Full area=257klgs
Cable gland	IP-68 PG-9 PVC
Gasket	Molding shaped seal
Driver	Constant current output
Operating temperature	-20°C~40°C
Power cable	H05RN-F 2X1.0mm ² L=0.5m (low voltage) H05RN-F 3X1.0mm ² L=0.5m (high voltage) H05RN-F 4X0.75mm ² L=0.5m (for RGB)
Mounting sleeve	PVC 015 ²



Item	Light source	Degree	Input voltage	Current	Consumption	Luminance	Life rate
<input type="radio"/> LX-IG-49R-1W <input type="checkbox"/> LX-IG-49S-1W	6XSMD5050	120	24VDC 120/240	24V = 51 120V = 30 240V = 17	24V = 1.2 120V = 1.8 240V = 1.8	Cool white= 11 Warm white=9.5	09
<input type="radio"/> LX-IG-49R-1W-RGB <input type="checkbox"/> LX-IG-49S-1W-RGB	6XSMD5050 RGB 3in1 Full color	120	24V DC	R = 17 G = 17 B = 17	1.2	3.6	09



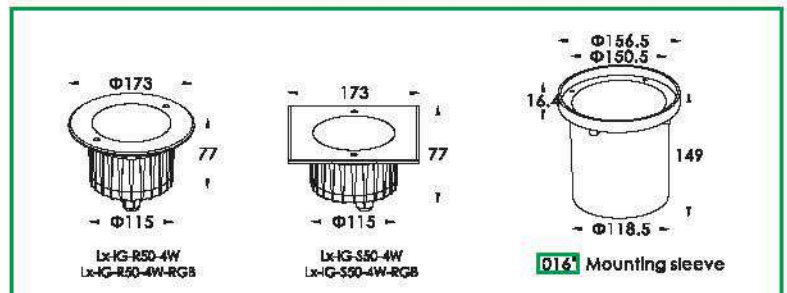
Surface light LED inground lamp



LX-IG-R50-4W
LX-IG-R50-4W-RGB



LX-IG-S50-4W
LX-IG-S50-4W-RGB



Material specifications

Housing	12° Die-casting dark grey powder coated aluminum T=60-80µm Adhesion of ISO class 1/ASTM class 4B
Front cover	Stainless steel SUS 316L ⁶
Glass	Step tempered white coating glass. T=8mm
Glass pressure capacity	Full area=2274kgs
Cable gland	IP-68 PG-9 PVC
Gasket	Molding shaped seal
Driver	Constant current output Single color LED=1-circuit output RGB 3in1 LED=6-circuit output
Operating temperature	-20°C~40°C
Power cable	H05RN-F 2X1.0mm ² L=0.5m (low voltage) H05RN-F 3X1.0mm ² L=0.5m (high voltage) H05RN-F 4X0.75mm ² L=0.5m (for RGB)
Mounting sleeve	PVC 016 ⁶



Room



Light source



Degree



Input voltage



Current



Consumption



Luminescence



B.r. ratio

○ LX-IG-R50-4W
□ LX-IG-S50-4W

39X SMD5050

120

24VDC
120/240

24V = 131
120V = 60
240V = 36

24V = 3.2
120V = 4.2
240V = 4.5

Cool white=45
Warm white=39

07

○ LX-IG-R50-4W-RGB
□ LX-IG-S50-4W-RGB

13X SMD5050
RGB 3in1
Full color

120

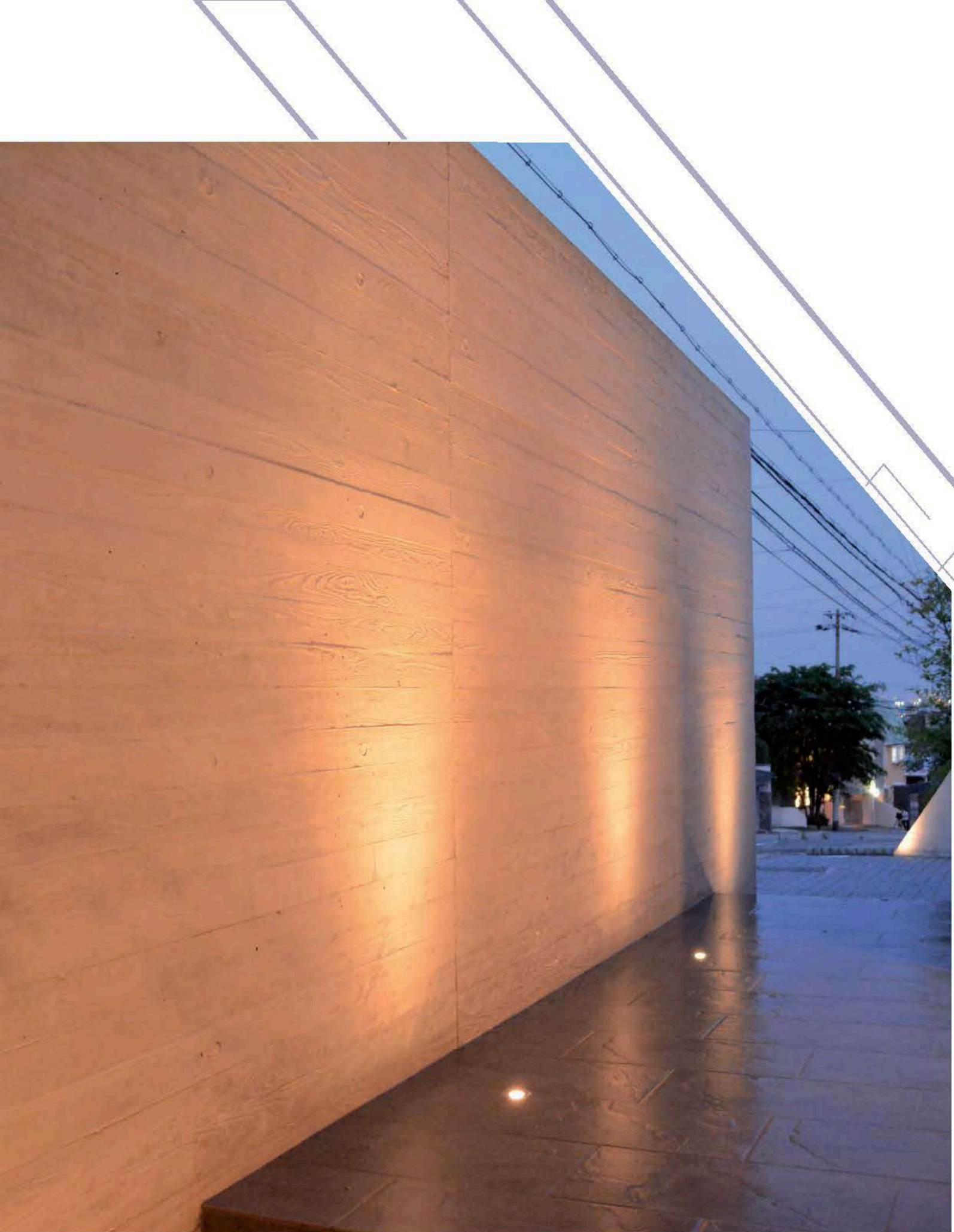
24V DC

R = 38
G = 53
B = 54

3.5

58.9

07





Power LED inground lamp



Symmetrical



LX-IG-50-2R1-6W
LX-IG-50-2R2-6W-RGB



LX-IG-50-2S1-6W
LX-IG-50-2S2-6W-RGB

Asymmetrical

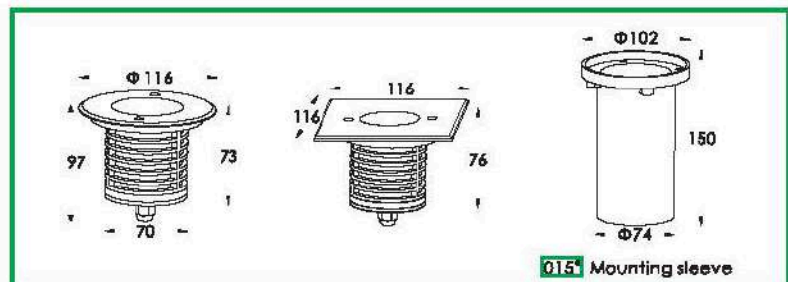
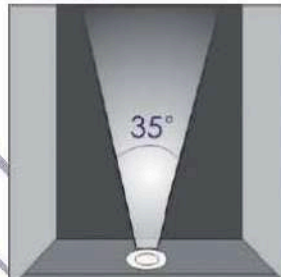
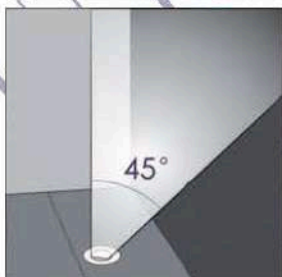


LX-IG-50-2RA-6W



LX-IG-50-2SA-6W

Impression drawing of FC2CDR0357



015 Mounting sleeve

Material specifications

Housing	12° Die-casting dark grey powder coated aluminum I=60-80um Adhesion of ISO class 1/ASIM class 4B
Front ring	Stainless steel SUS316L°
Glass	Step tempered glass. T=8mm
Glass pressure capacity	Full area=2578kgs
Cable gland	IP-68 PG-9 PVC
PCB	Excellent heat conductivity aluminum, coefficient of heat Conductivity≥2.0w /mk
Lens	Optical lens, efficiency≥85%
Operating temperature	-20°C~40°C
Power cable	H05RN-F 2X1.0mm² L=0.5m (low voltage) H05RN-F 3X1.0mm² L=0.5m (high voltage) H05RN-F 4X0.75mm² L=0.5m (for RGB)
Mounting sleeve	PVC 015°



Item	Light source	Lens	Degree	Input voltage	Current	Consumption	Luminance	Ik rate
○ LX-IG-50-2R1-6W □ LX-IG-50-2S1-6W	3X2W	B33D	20	24VDC 120/240	24V = 236 120V = 51 240V = 30	24V = 5.6 120V = 6.0 240V = 6.0	Cool white=479 Warm white=376	09
○ LX-IG-50-2R2-6W-RGB □ LX-IG-50-2S2-6W-RGB	3X2W RGB 3in1 Full color	B34D	30	24V DC	R = 70 G = 124 B = 124	7.7	147	09
○ LX-IG-50-2RA-6W □ LX-IG-50-2SA-6W	3X2W	C9	45 35	24VDC 120/240	24V = 236 120V = 51 240V = 30	24V = 5.6 120V = 6.0 240V = 6.0	Cool white=370 Warm white=286	09





LED up light / Inground lamp



Symmetrical



LX-IG-52-2R1-12W
LX-IG-52-2R2-12W-RGB



LX-IG-52-2S1-12W
LX-IG-52-2S2-12W-RGB

Asymmetrical

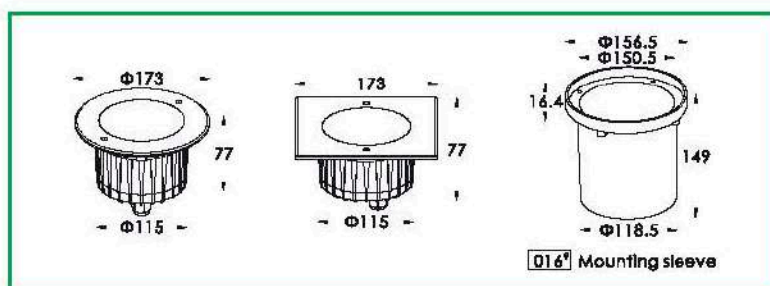
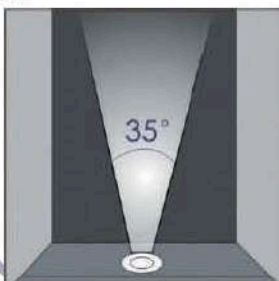
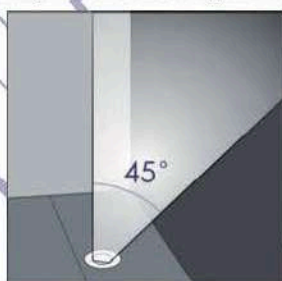


LX-IG-52-2RA-12W



LX-IG-52-2SA-12W

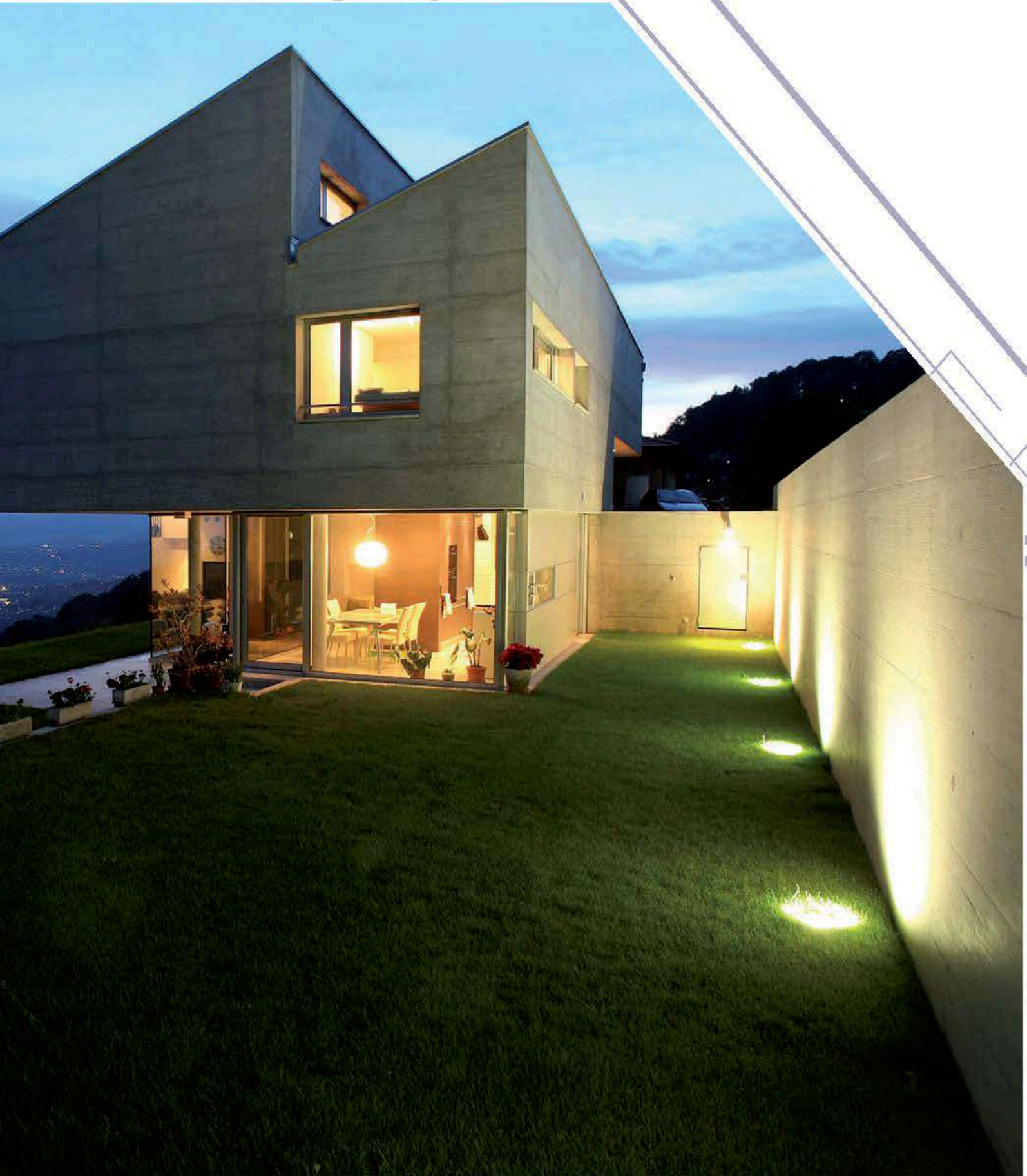
Impression drawing of lens C9



Material specifications

Housing	12" Die-casting dark grey powder coated aluminum T=60-80µm Adhesion of ISO class 1/ASTM class 4B
Front cover	Stainless steel SUS316L
Glass	Step tempered clear glass. T=8mm
Glass pressure capacity	Full area=2274kgs
Cable gland	IP-68 PG-9 PVC
Gasket	Molding shaped silicone seal
LED	IQ type power LED for RGB, single color is OSRAM
Lens	Optical lens, efficiency ≥ 85%
Driver	Constant current output Single color LED=1-circuit output RGB 3in1 LED=6-circuit output
Operating temperature	-20°C~40°C
Power cable	H05RN-F 2X1.0mm² L=0.5m (low voltage) H05RN-F 3X1.0mm² L=0.5m (high voltage) H05RN-F 4X0.75mm² L=0.5m (for RGB)
Mounting sleeve	PVC 016"

Item	Light source	Lens	Degree	Input voltage	Current	Consumption	Luminance	Life rate	
○ □	LX-IG-52-2R1-12W LX-IG-52-2S1-12W	6X2W	B33D	20	24VDC 120/240	24V = 850 120V = 156 240V = 84	24V = 13.6 120V = 12.6 240V = 12.8	Cool white=1244 Warm white=1070	09
○ □	LX-IG-52-2R2-12W-RGB LX-IG-52-2S2-12W-RGB	6X2W RGB 3in1 Full color	B34D	30	24V DC	R = 350 G = 350 B = 350	16.2	301.94	09
○ □	LX-IG-52-2RA-12W LX-IG-52-2SA-12W	6X2W	C9	45 35	24VDC 120/240	24V = 850 120V = 160 240V = 89	24V = 13.6 120V = 12.6 240V = 12.8	Cool white=1028 Warm white=871	09





20w high luminance LED inground lamp



Asymmetrical



LX-IG-54-2RA-18W



LX-IG-54-2SA-18W

Symmetrical

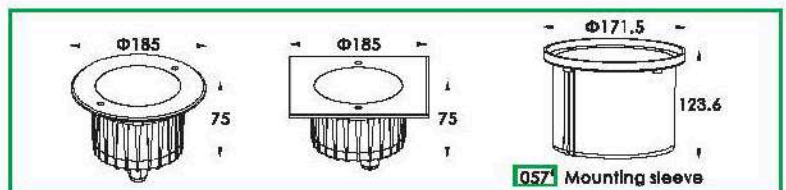
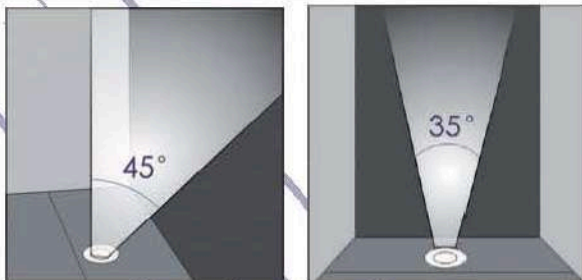


LX-IG-54-2R1-18W
LX-IG-54-2R2-18W-RGB



LX-IG-54-2S1-18W
LX-IG-54-2S2-18W-RGB

Impression drawing of lens C9



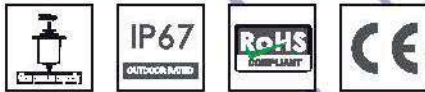
Material specifications

Housing	12' Die-casting dark grey powder coated aluminum T=60-80µm Adhesion of ISO class 1/ASTM class 4B
Front ring	Stainless steel SUS316L ⁹
Waterproof	Molding shaped silicone seal
Glass	Step tempered clear glass. T=8mm
Glass pressure capacity	Full area=3489kg
Cable gland	IP-68 PG-9 PVC
Gasket	Silicon seal
LED	IQ type power LED for RGB, single color is OSRAM
Lens	Optical lens, efficiency ≥ 85%
Driver	Constant current output Single color LED=1-circuit output RGB LED =3-circuit output RGB 3in1 LED=6-circuit output
Operating temperature	-20°C~40°C
Power cable	H05RN-F 2X1.0mm ² L=0.5m (low voltage) H05RN-F 3X1.0mm ² L=0.5m (high voltage) H05RN-F 4X0.75mm ² L=0.5m (for RGB)
Mounting sleeve	PVC 057 ⁹



Item	Light source	Lens	Degree	Input voltage	Current	Consumption	Luminance	Beam rate
<input type="radio"/> LX-IG-54-2R1-18W <input type="checkbox"/> LX-IG-54-2S1-18W	6X3W NICHIA	B33D	20	24VDC 120/240	24V = 850 120V = 156 240V = 84	24V = 20.4 120V = 18.6 240V = 18.8	Cool white=1866 Warm white=1605	09
<input type="radio"/> LX-IG-54-2S2-18W-RGB <input type="checkbox"/> LX-IG-54-2R2-18W-RGB	6X3W RGB 3in1 Full color	B34D	30	24V DC	R = 350 G = 350 B = 350	25.2	452.91	09
<input type="radio"/> LX-IG-54-2RA-18W <input type="checkbox"/> LX-IG-54-2SA-18W	6X3W NICHIA	C9	45 35	24VDC 120/240	24V = 850 120V = 160 240V = 89	24V = 20.4 120V = 18.6 240V = 18.8	Cool white=1543 Warm white=1307	09

GX5.3 and GU10 stock multiple inground luminaire



LX-IG-55-2RGU10
LX-IG-55-2RGU53

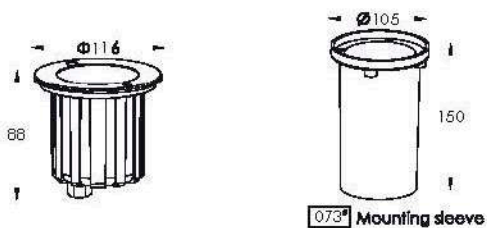
Lighting Sources Option



GU-10 Pin LED lamp

Maximum power limit is according to GU10 pin spec.

Input voltage is according to GU10 pin spec.



Material specifications

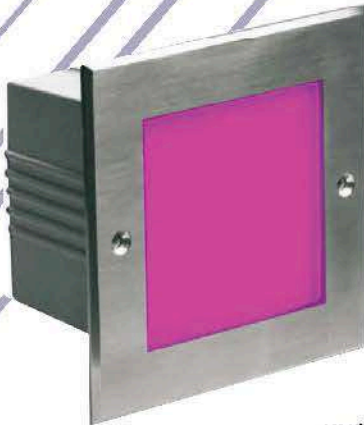
Housing	12° Die-casting dark grey powder coated aluminum T=60-80µm Adhesion of ISO class 1/ASTM class 4B
Front ring	Stainless steel SUS 316L ⁹
Glass	Tempered glass, T=6mm
Gasket	Molding shaped silicone seal
Glass pressure capacity	Full area=1920kgs
Cable gland	IP-65 PG-9 copper and nickel coated
Power cable	H05RN-F 3X1.0mm ² L=0.5m (for single color)
Mounting sleeve	PVC 073 ⁹



LX-IG-55-2RGU10	GU-10	---	---
LX-IG-55-2RGU53	G-5.3	---	---



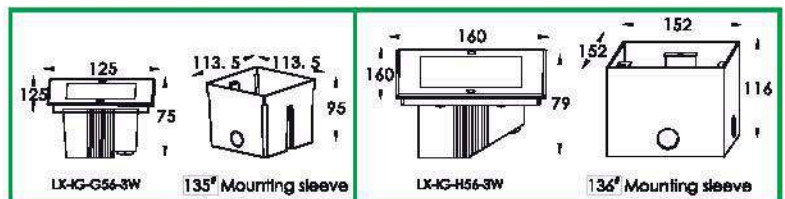
Surface light LED inground lamp



LX-IG-G56-3W



LX-IG-H56-3W



Material specifications

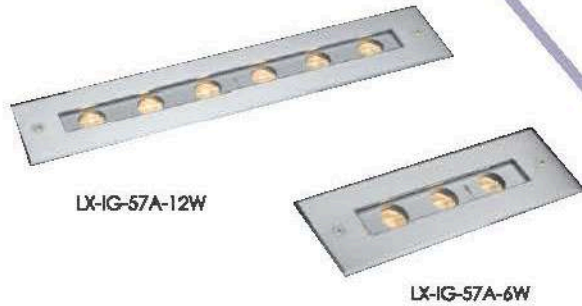
Housing	12° Die-casting dark grey powder coated aluminum T=60-80µm Adhesion of ISO class 1/ASTM class 4B
Front cover	Stainless steel SUS 316L
Glass	Tempered cooling white glass. T=8mm
Glass pressure capacity	Full area=4050kgs
Gasket	Molding shaped silicone seal
Driver	Constant current output
Cable gland	IP-67 copper and nickel coated
LED	SMD3020 type low power LED
Operating temperature	-20°C~40°C
PCB	Excellent heat conductivity aluminum, coefficient of heat conductivity ≥ 2.0w/mk
Power cable	H05RN-F 3X1.0mm² L=0.5m [high voltage]
Mounting sleeve	135°、135° Zinc plated mounting sleeve grey powder Coated, T=60-80µm. Adhesion of ISO class 1/ASTM class 4B

Item	Light source	Degree	Input voltage	Current	Consumption	Luminance (Lm)	It rate
LX-IG-G56-3W	36×SMD3020	120	24VDC 120/240	120V=50 240V=32	120V=3.1 240V=3.3	Cool white=150 Warm white=138	09
LX-IG-H56-3W	25×SMD3020	120	24VDC 120/240	120V=43 240V=30	120V=2.8 240V=3.2	Cool white=124 Warm white=101	09

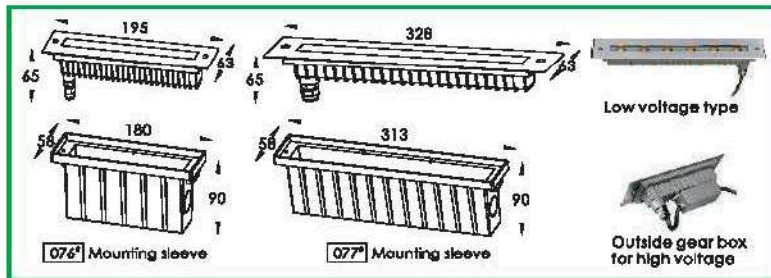
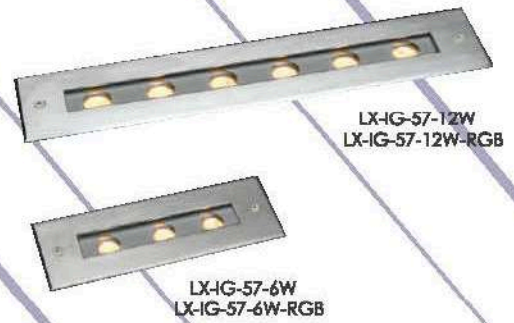
Recessed linear inground wall washer lamp



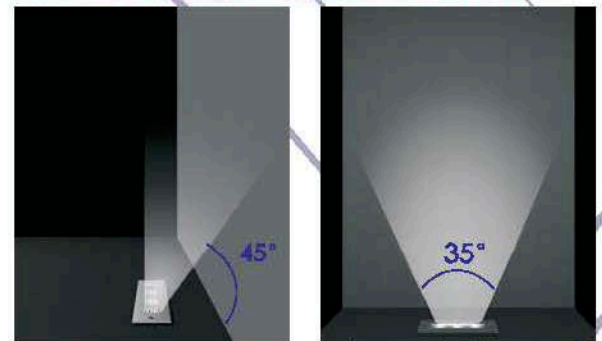
Asymmetrical



Symmetrical



Impression drawing of LX-IG-57A-12W / LX-IG-57A-6W



Material specifications

Housing	12" Die-casting dark grey powder coated aluminum T=60-80μm
Front cover	Stainless steel SUS 316L
Glass	Step tempered glass, T=8mm
Cable gland	IP-68 PG-9 PVC
Glass pressure capacity	Full area=3251kgs
Gasket	Molding shaped silicone seal
PCB	Excellent heat conductivity aluminum, coefficient of heat Conductivity≥2.0w/mk
Driver	Constant current output Single color LED=1-circuit output RGB 3In1 LED=3-circuit output
Operating temperature	-20°C-40°C
Power cable	H05RN-F 2X1.0mm² L=0.5m (low voltage) H05RN-F 3X1.0mm² L=0.5m (high voltage) H05RN-F 4X0.75mm² L=0.5m (for RGB)
Mounting sleeve	PVC 076°, 077°

Mounting sleeve characteristic

- The right picture-"A" is use for "Mounting box", during the construction installation process to prevent deformation of the support plate.
- The loading way such as A1, A2
- B2FL0357 need 1 pc & B2FL0657 need 2 pcs for support.
- Please take out the support plate (A1 & A2) from the "mounting box" before installation.

Item	Light source	Lens	Degree	Weight	Input voltage	Current	Consumption	Luminance [Lm]	Life rate [IKI]
LX-IG-57-6W	3×2W	B27	20	0.9	24VDC 120/240	24V = 240 120V = 89 240V = 46	24V = 5.7 120V = 6.2 240V = 5.7	Cool white=508 Warm white=333	08
LX-IG-57-6W-RGB	3×2W RGB 3In1 Full color	B2	30	0.9	24V DC	R = 70 G = 150 B = 150	8.8	180	08
LX-IG-57-12W	6×2W	B27	20	1.6	24VDC 120/240	24V = 550 120V = 100 240V = 57	24V = 13.2 120V = 11.8 240V = 12.1	Cool white=1100 Warm white= 733	08
LX-IG-57-12W-RGB	6×2W RGB 3In1 Full color	B2	30	1.6	24V DC	R = 200 G = 250 B = 250	17	340	08
LX-IG-57A-6W	3×2W	C11	45 35	0.9	24VDC 120/240	24V = 240 120V = 89 240V = 46	24V = 5.7 120V = 6.2 240V = 5.7	Cool white=340 Warm white=285	08
LX-IG-57A-12W	6×2W	C11	45 35	1.6	24VDC 120/240	24V = 550 120V = 100 240V = 57	24V = 13.2 120V = 11.8 240V = 12.1	Cool white=875 Warm white=570	08



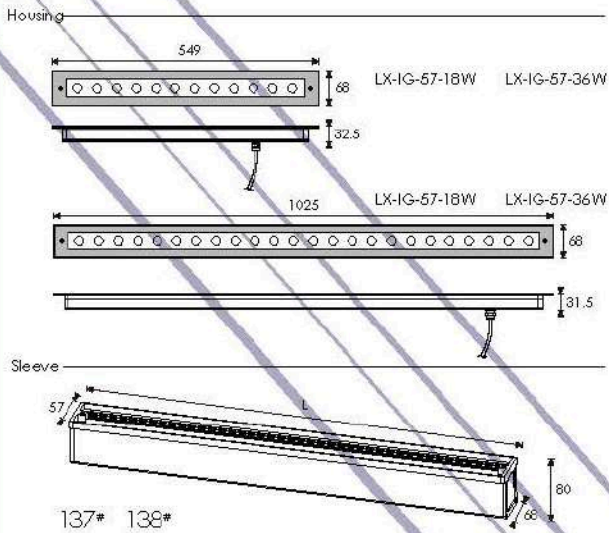
Recessed linear inground wall washer lamp



LX-IG-57-18W
LX-IG-57-18W-RGB

Outer Dimension

Unit:mm



L0130D024KP 30°



L0120F024PS 20°

Material specifications

Housing	Extruded aluminum, powder coated
Front cover	Stainless steel SUS 316L
Glass	Tempered glass, T=6mm
Lens	Optical lens, efficiency=85%
Cable gland	IP-68 PVC PG-9
Gasket	Glass and housing are silicone sealed
LED	Single color OSRAM LED Multi color TO power LED(RGB)
Operating temperature	-20°C~ 40°C
Power cable	H05RN-F 2x1.0mm²L=0.5m(low voltage) H05RN-F 4x0.75mm²L=0.5m(RGB)
Mounting Sleeve	137# 138#



Run	Light source	Lens	Degree	Length	Input voltage	Current	Consumption	Luminescence	Be ratio
LX-IG-57-18W	12x1.5W Single color	B32	20°	549	24V DC 120/240	24 V=910 120 V=149 240 V= 79	24 V=22.0 120 V=17.0 240 V=17.5	Cool white=1108 Warm white=1020	07
LX-IG-57-18W -RGB	12x1.5W RGB 3IN Full color	B20	30°	549	24V DC2	R = 275 G = 302 B = 303	1	345	07
LX-IG-57-36W	24x1.5W Single color	B32	20°	1025	24V DC 120/240	24 V=1826 120 V= 312 240 V= 156	24 V=44.0 120 V=36.0 240 V=36.4	Cool white=2198 Warm white=2055	07
LX-IG-57-36W -RGB	24x1.5W RGB 3IN Full color	B20	30°	1025	24V DC4	R = 537 G = 606 B = 602	2	693	07

Soft Beam Recessed Inground and Wall Light

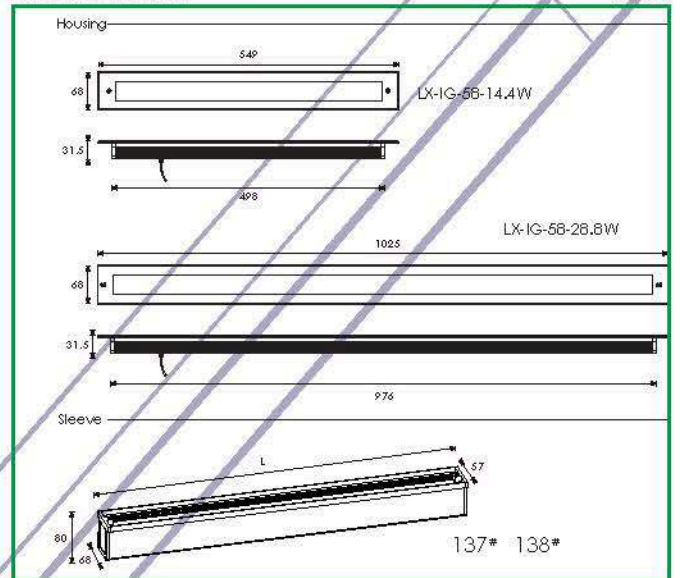


LX-IG-58-14.4W

Material specifications

Housing	Extruded aluminum, powder coated
Front cover	Stainless steel SUS 316L
Glass	Tempered glass, T=6mm
Cable gland	IP-68 PG-9 PVC
LED	Single color NICHIA LED 3030@0.5W
Operating temperature	-20°C~ 40°C
Power cable	H05RN-F 2x1.0mm ² L=0.5m (low voltage) H05RN-F 3x1.0mm ² L=0.5m (high voltage)
Mounting Sleeve	137# 138#

Outer Dimension



Item	Light source	Lens	Beam	Input voltage	Current	Consumption	Luminance	Life rate
LX-IG-58-14.4W	48X0.3W NICHIA	549	120°	24VDC 120/240	24V=555	24V=13.2	Cool white=300 Warm white=258	07
LX-IG-58-28.8W	96X0.3W NICHIA	1025	120°	24VDC 120/240	24V=1108	24V=26.5	Cool white=402 Warm white=318	07



Small size LED inground lamp



strong up light



LX-IG-41R-2W
LX-IG-42R-3W-RGB

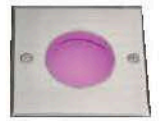


LX-IG-41S-2W
LX-IG-42S-3W-RGB

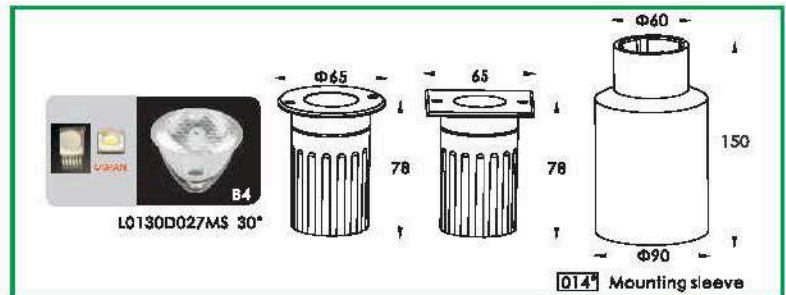
smooth surface light



LX-IG-42R-1W
LX-IG-42R-1W-RGB



LX-IG-42S-1W
LX-IG-42S-1W-RGB



Material specifications

Housing	12° Die-casting dark grey powder coated aluminum T=60-80µm Adhesion of ISO class 1/ASTM class 4B
Front ring	Stainless steel SUS 316 ^o
Glass	Step tempered glass, T=5mm
Glass pressure capacity	Full area=783kgs
Gasket	Molding shaped silicone seal
Driver	Constant current output Single color LED=1-circuit output RGB 3in1 LED=3-circuit output
Operating temperature	-20°C-40°C
Power cable	H05RN-F 2X1.0mm ² L=0.5m (low voltage) H05RN-F 3X1.0mm ² L=0.5m (high voltage) H05RN-F 4X0.75mm ² L=0.5m (for RGB)
Mounting sleeve	PVC 014 ^o

Item	Light source	Degree	Input voltage	Current	Consumption	Luminance	Life rate
<input type="radio"/> LX-IG-41R-2W <input type="checkbox"/> LX-IG-41S-2W	1x2W	30	24VDC 120/240	24V = 110 120V = 48 240V = 28	24V = 2.6 120V = 3.0 240V = 3.1	Cool white=139 Warm white=120	08
<input type="radio"/> LX-IG-42R-3W-RGB <input type="checkbox"/> LX-IG-42S-3W-RGB	1x3W RGB 3in1 Full color	30	24V DC 4 Wire	R = 38 G = 53 B = 54	3.5	5.6	08
<input type="radio"/> LX-IG-42R-1W <input type="checkbox"/> LX-IG-42S-1W	6xSMD3020	—	24VDC 120/240	24V = 13 120V = 8 240V = 6	24V = 0.3 120V = 0.5 240V = 0.8	Cool white=120 Warm white=102	09
<input type="radio"/> LX-IG-42R-1W-RGB <input type="checkbox"/> LX-IG-42S-1W-RGB	3xSMD5050 RGB 3in1 Full color	—	24V DC 4 Wire	R = 21 G = 21 B = 21	1.5	3.3	09





Non-Cover Recessed Floor/Inground Light



LX-IG-18-2-1W



LX-IG-18-2-1W
RGB

Material specifications

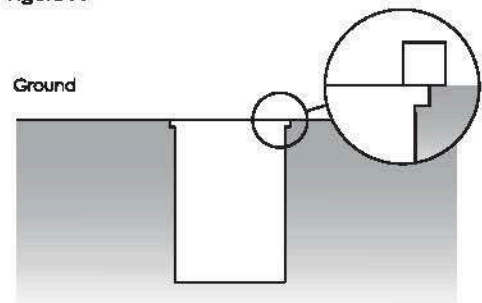
Housing	12# Die-casting grey powder coated aluminum. T=60-80µm, Adhesion of ISO class 1/ASTM class 4B
Glass	Step tempered glass, T=4mm
Gasket	Molding shaped silicone seal
LED Driver	Constant Voltage Input, Constant Current Output
Operating temperature	20°C ~40°C
Power cable	24V: Input: H05RN-F 2×1.0mm² L=0.5M (low voltage) 100/240V: H05RN-F 3×1.0mm² L=0.5M (high voltage)
Mounting sleeve	ABS 087#, 088#

Stainless steel sleeve frame



087#

Figure A

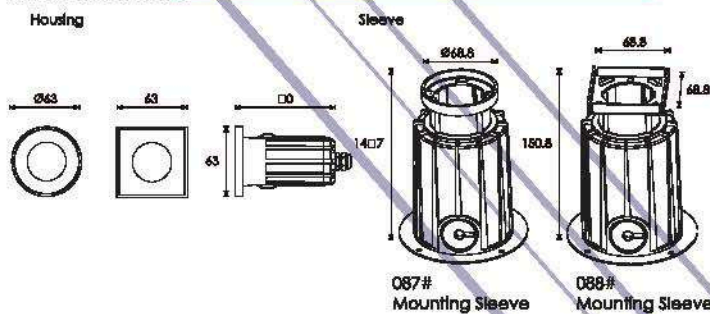


The high of fixture surface with floor on same level

1. Non-cover design
2. Suitable for installed on floor with same level (see Figure A)
3. Use stainless steel for the support of sleeve frame

Outer Dimension

Unit:mm



Item	Light source	Degree	Input voltage	AMP Current	Consumption	Luminance	Ik rate
□ LX-IG-18-2-1W	3XSMD5050	120°	24V DC 120/240	24 V=54.0 120V =15.0 240V =10.0	24 V=1.3 120V =1.0 240V =1.0	Cool white=7 Warm white=6	06
□ LX-IG-18-2-1W RGB	3XSMD5050 RGB 3IN1 Full Color	120°	24V DC	R =21.0 G =21.0 B =21.0	1.53	.3	06

Non-cover Recessed Floor/Inground Light



LX-IG-19-2-1W



LX-IG-19-2-1W
RGB

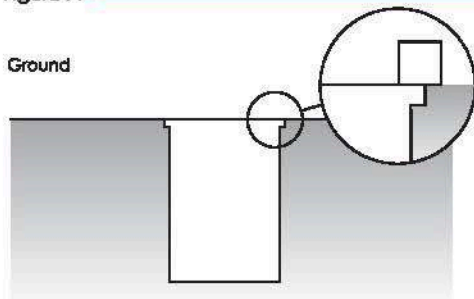
Stainless steel sleeve frame



085#

086#

Figure A



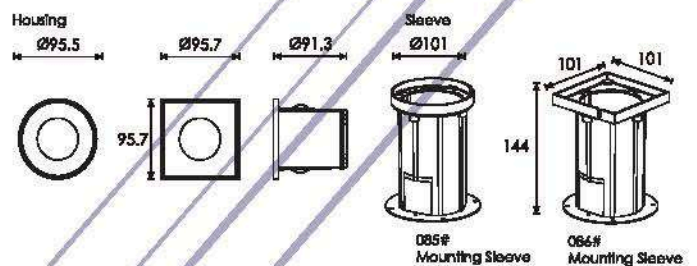
The high of fixture surface with floor on same level

Material specifications

Housing	12# Die-casting grey powder coated aluminum. T=60-80µm. Adhesion of ISO class 1/ASTM class 4B
Glass	Step tempered glass. T=4mm
Glass pressure capacity	2CN full area=2443kgs
Cable gland	PG-9
Gasket	Molding shaped silicone seal
Driver	Constant current output
Operating temperature	-20°C ~40°C
Power cable	24V: Input: HO5RN-F 2×1.0mm² L=0.5M (low voltage) 100/240V: HO5RN-F 3×1.0mm² L=0.5M (high voltage)
Mounting sleeve	ABS 085#, 086#

Outer Dimension

Unit:mm



1. Non-cover design
2. Suitable for installed on floor with same level (see Figure A)
3. Use stainless steel for the support of sleeve frame

Item	Light source	Degree	Input voltage	Max Current	Consumption	Lumiance	It nets
○ LX-IG-19-2-1W	6XSMD5050	120°	24V DC 120/240	24 V=51 120 V=30 240 V=20	24 V=1.2 120 V=1.8 240 V=1.8	Cool w hite=13.0 Warm white=11.7	08
○ LX-IG-19-2-1W □ RGB	6XSMD5050 RGB 3IN1 Full Color	120°	24V DC	R = 17 G = 17 B = 17	1.25	.9	08



Non-Cover Recessed Floor/Inground Light



LX-IG-20-2-5W



Stainless steel sleeve frame



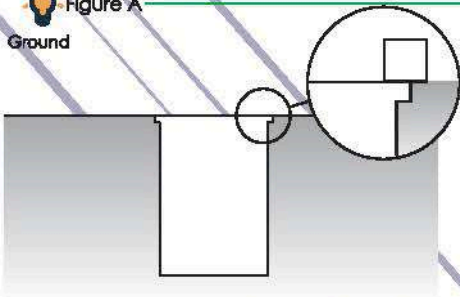
Stainless Steel Frame

087#



Figure A

Ground



The high of fixture surface with floor on same level

Lens and Reflector



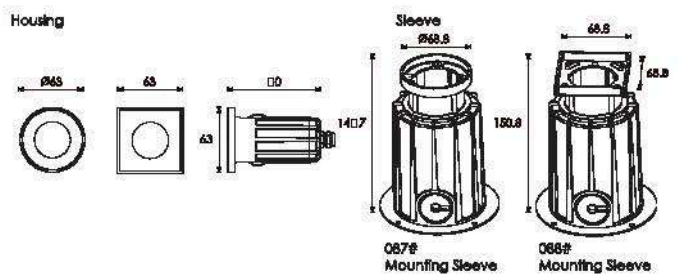
- R0118C035XL 18°
- R0124C035XL 24°
- R0132C035XL 32°

Material specifications

Housing	12# Die-casting grey powder coated aluminum. T=60-80µm. Adhesion of ISO class 1/ASTM class 4B
Front Cover	Tempered glass. T=4mm
Glass pressure capacity	Full area=2463kgs
Reflector	Optical Reflector efficiency≥90%
Gasket	Molding shaped silicone seal
Driver	Constant current output
Operating temperature	-20°C ~40°C
Power cable	24V: Input: H05RN-F 2×1.0mm² L=0.5M (low voltage) 100/240V: H05RN-F 3×1.0mm² L=0.5M (high voltage)
Mounting sleeve	ABS 085#, 086#

Outer Dimension

Unit:mm



Item



Light source



Lens



Degree



Input voltage



Current



Consumption



Luminescence



Ik rate

○ LX-IG-20-2-5W 1X5W COB

R7

24°

24V DC
120/240

24 V= 265
120 V= 52
240 V= 32

24 V=6.3
120 V=6.0
240 V=6.0

Cool white=432
Warm white=428

06

Non-Cover Recessed Floor/Inground Light



LX-IG-21A-2-6W



LX-IG-21B-2-6W



Material specifications

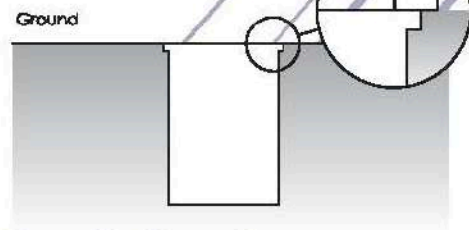
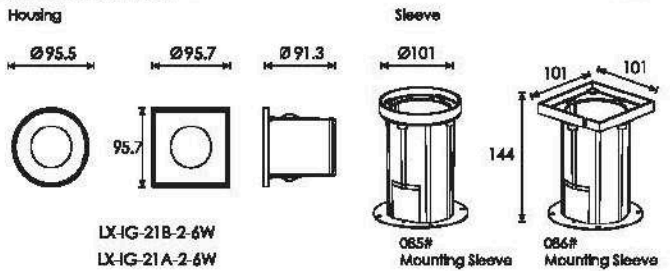
Housing	12# Die-casting grey powder coated aluminum. T=60-80µm. Adhesion of ISO class 1/ASTM class 4B
Front Cover	Tempered glass, T=4mm
Glass pressure capacity	Full area=2463kgs
Reflector	Optical Reflector efficiency>90%
Gasket	Molding shaped silicone seal
LED Driver	Constant Voltage Input, Constant Current Output
Operating temperature	-20°C ~40°C
Power cable	24V: Input: H05RN-F 2×1.0mm² L=0.5M [low voltage] 100/240V: H05RN-F 3×1.0mm² L=0.5M [high voltage]
Mounting sleeve	ABS 085#, 086#

Stainless steel sleeve frame



Figure A

Outer Dimension



Lens and Reflector



R0124C050XL 24°



OSRAM B15

	Item	Light source	Lens	Degree	Input voltage	Current	Consumption	Lumiance	Ik rate
□	LX-IG-21B-2-6W	4X1.5W OSRAM	B15	20°	24V DC 120/240	24 V=291 120 V= 69 240 V= 38	24 V=7.0 120 V=7.7 240 V=7.8	Cool white =638 Warm white =427	08
□	LX-IG-21A-2-6W	1X6W COB	R8	24°	24V DC 120/240	24 V=320 120 V= 72 240 V= 40	24 V=7.5 120 V=7.4 240 V=8.5	Cool white =713 Warm white =689	08



Non-Cover Recessed Floor/Inground Wall Washer & Wall Light



LX-IG-22R-2-5W



LX-IG-22S-2-5W

Material specifications

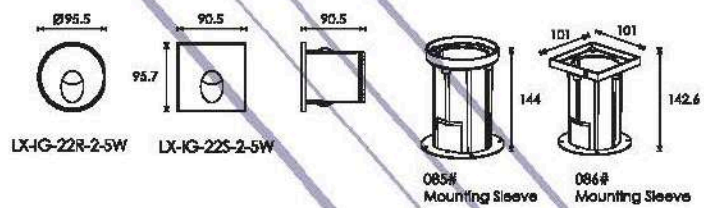
Housing	12# Die-casting grey powder coated aluminum. T=60-80um, Adhesion of ISO class 1/ASTM class 4B
Glass	Step tempered glass, T=4mm
Glass pressure capacity	Full area=5373kgs
Reflector	Optical Reflector efficiency≥90%
Gasket	Molding shaped silicone seal
LED	Multi chip on board LED
LED Driver	Constant Voltage Input, Constant Current Output
Operating temperature	-20°C ~40°C
Power cable	24V: Input: H05RN-F 2×1.0mm ² L=0.5M (low voltage) 100/240V: H05RN-F 3×1.0mm ² L=0.5M (high voltage)
Mounting sleeve	ABS 085#, 086#

Outer Dimension

Unit:mm

Housing

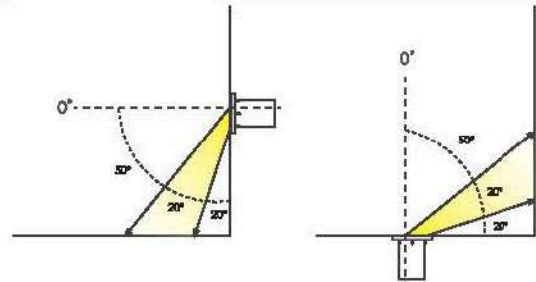
Sleeve



Stainless steel sleeve frame



Asymmetrical Demo



When the fixture is used as wall light

When the fixture is used as inground/wall washer light

Feature

1. Non-cover design
2. Suitable for installed on floor with same level (see Figure A)
3. Use stainless steel for the support of sleeve frame
4. 3 different degree of COB reflector for optional



R0118C035XL 18°
R0124C035XL 24°
R0132C035XL 32°

Item	Light source	Lens	Degree	Input voltage	Current	Consumption	Luminance	Ik ratio
LX-IG-22R-2-5W	1X5W COB	R7	32°	24V DC 120/240	24 V = 265 120 V = 52 240 V = 32	24 V=6.3 120 V=6.0 240 V=6.0	Cool w white =420 Warm white =394	06
LX-IG-22S-2-5W	1X5W COB	R7	32°	24V DC 120/240	24 V = 265 120 V = 52 240 V = 32	24 V=6.3 120 V=6.0 240 V=6.0	Cool w white =420 Warm white =394	06

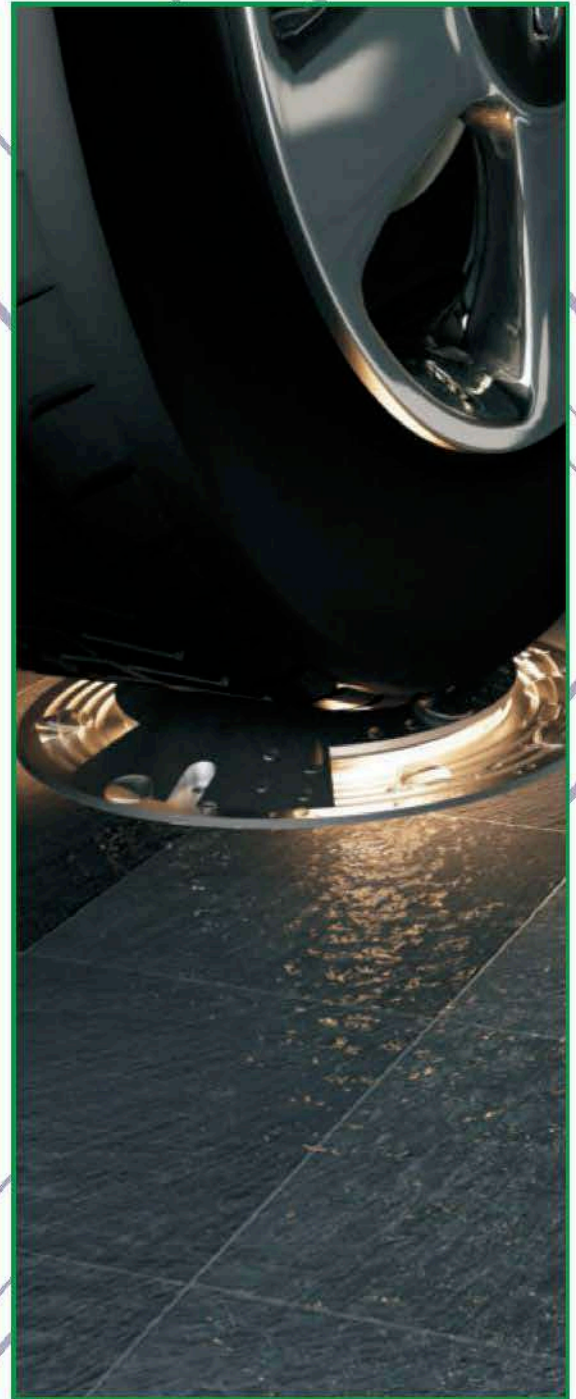
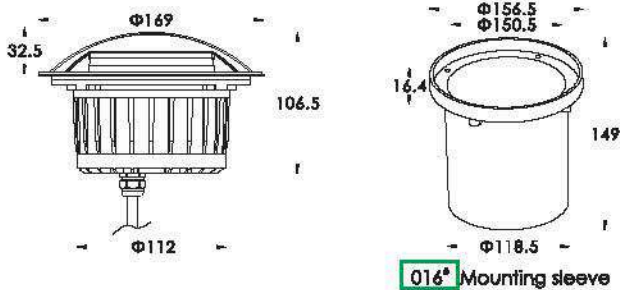
Strong load bearing capacity
LED roll over light *SPOT* stainless steel front cover



LX-IG-ZA1-1.5W

LX-IG-ZA2-2.5W

LX-IG-ZA4-3W



Material specifications

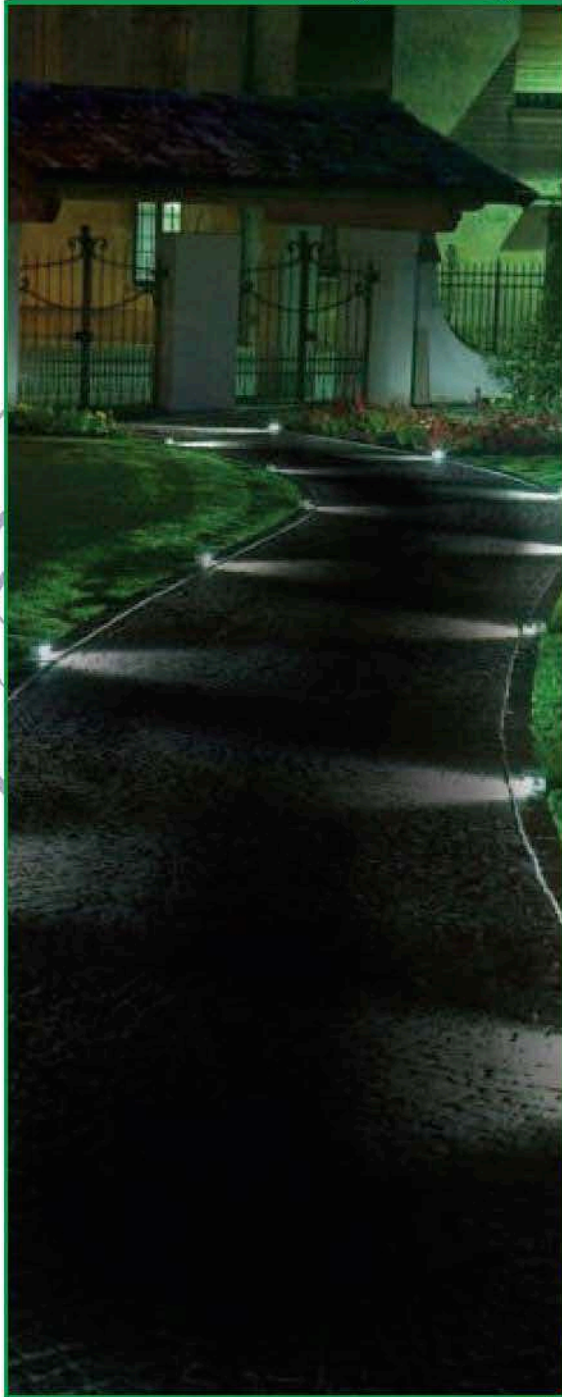
Housing	12° Die-casting grey powder coated aluminum . T=60-80µm. Adhesion of ISO class 1/ASTM class 4B
Front cover	Stainless steel SUS 316'
Loading capacity	>2000kg
Cable gland	IP-68 PG-9 pvc
Gasket	Molding shaped silicone seal
Driver	Constant current output
Operating temperature	-20°C~40°C
Power cable	H05RN-F 2X1.0mm ² L=0.5m (low voltage) H05RN-F 3X1.0mm ² L=0.5m (high voltage)
Mounting sleeve	PVC 016°

Item	Light source	Input voltage	Current	Consumption	Ik rate
LX-IG-ZA1-1.5W	10× $\Phi 5$ LED	24VDC 120/240	24V = 54 120V = 25 240V = 17	24V = 0.8 120V = 1.2 240V = 1.4	10
LX-IG-ZA2-2.5W	20× $\Phi 5$ LED	24VDC 120/240	24V = 68 120V = 35 240V = 27	24V = 1.6 120V = 2.3 240V = 2.9	10
LX-IG-ZA4-3W	24× $\Phi 5$ LED	24VDC 120/240	24V = 71 120V = 36 240V = 28	24V = 1.7 120V = 2.4 240V = 3.0	10



Strong load bearing capacity

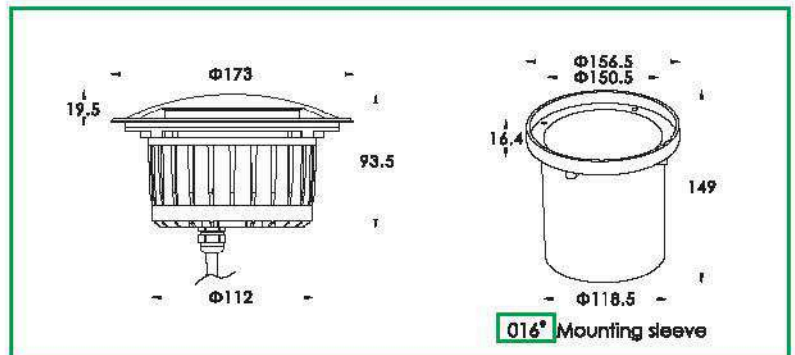
LED roll over light *FLOOD* stainless steel front cover



LX-IG-ZAA1-3W

LX-IG-ZAA2-3W

LX-IG-ZAA4-3W



Material specifications

Housing	12° Die-casting grey powder coated aluminum . T=60-80um. Adhesion of ISO class 1/ASTM class 4B
Front cover	Stainless steel SUS 316°
Loading capacity	>2000kg
Cable gland	IP-68 PG-9 pvc
Gasket	Molding shaped silicone seal
Driver	Constant current output
Operating temperature	-20°C~40°C
Power cable	H05RN-F 2X1.0mm ² L=0.5m (low voltage) H05RN-F 3X1.0mm ²
Mounting sleeve	PVC 016°

Item	Light source	Input voltage	Current	Consumption	Ik rate
LX-IG-ZAA1-3W	SMD5630 LED 6x0.5W	24VDC 120/240	24V = 126 120V = 55 240V = 33	24V = 3.0 120V = 3.8 240V = 3.8	10
LX-IG-ZAA2-3W	SMD5630 LED 6x0.5W	24VDC 120/240	24V = 126 120V = 55 240V = 33	24V = 3.0 120V = 3.8 240V = 3.8	10
LX-IG-ZAA4-3W	SMD5630 LED 6x0.5W	24VDC 120/240	24V = 126 120V = 55 240V = 33	24V = 3.0 120V = 3.8 240V = 3.8	10

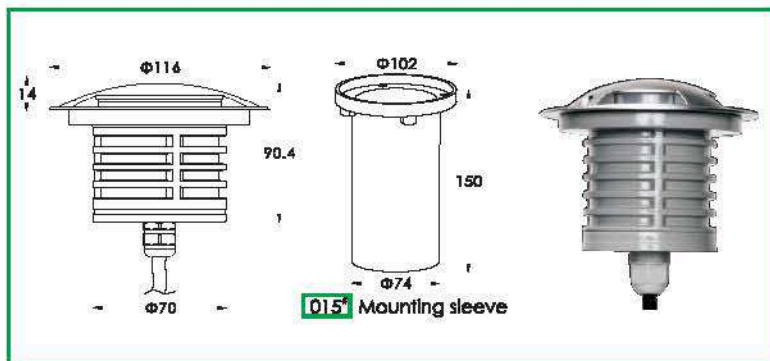
Strong load bearing capacity
LED roll over light stainless steel front cover



LX-IG-ZB1-3W

LX-IG-ZB2-3W

LX-IG-ZB4-3W



Material specifications

Housing	12° Die-casting grey powder coated aluminum . T=60-80µm. Adhesion of ISO class 1 /ASTM class 4B
Front cover	Stainless steel SUS 316°
Glass	Step tempered clear glass. T=8mm
Loading capacity	>2000kg
Cable gland	IP-68 PG-9 pvc
Gasket	Molding shaped silicone seal
Driver	Constant current output
Operating temperature	-20°C-40°C
Power cable	H05RN-F 2X1.0mm² L=0.5m (low voltage) H05RN-F 3X1.0mm² L=0.5m (high voltage)
Mounting sleeve	PVC 015°

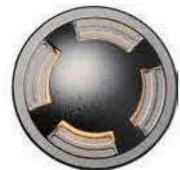


Item	Light source	Input voltage	Current	Consumption	IK rate
LX-IG-ZB1-3W	SMD5630 LED 6x0.5W	24VDC 120/240	24V = 126 120V = 55 240V = 33	24V = 3.0 120V = 3.8 240V = 3.8	10
LX-IG-ZB2-3W	SMD5630 LED 6x0.5W	24VDC 120/240	24V = 126 120V = 55 240V = 33	24V = 3.0 120V = 3.8 240V = 3.8	10
LX-IG-ZB4-3W	SMD5630 LED 6x0.5W	24VDC 120/240	24V = 126 120V = 55 240V = 33	24V = 3.0 120V = 3.8 240V = 3.8	10



Strong load bearing capacity

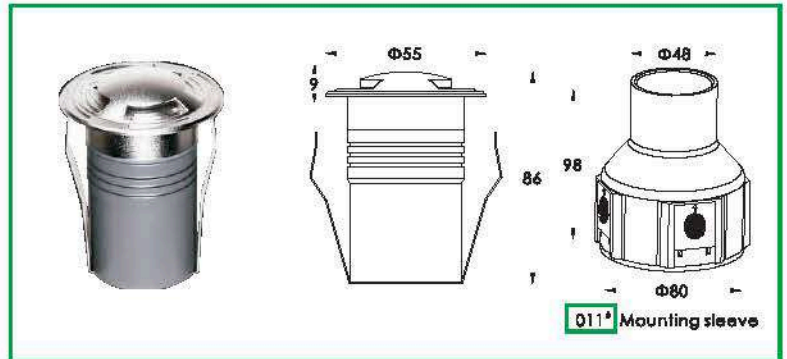
LED roll over light stainless steel front cover



LX-IG-ZD1-2W

LX-IG-ZD2-2W

LX-IG-ZD4-2W



Material specifications

Housing	12" Die-casting grey powder coated aluminum . T=60-80µm. Adhesion of ISO class 1/ASTM class 4B
Front cover	Stainless steel SUS 316 ⁴
Loading capacity	>2000kg
Gasket	Molding shaped silicone seal
Operating temperature	-20°C-40°C
Power cable	H05RN-F 2X1.0mm ² L=0.5m (low voltage) H05RN-F 3X1.0mm ² L=0.5m (high voltage)
Mounting sleeve	Ø11 ABS plastic

Item	Light source	Input voltage	Current	Consumption	Lumens	Life rate
LX-IG-ZD1-2W	1x2W	24VDC 120/240	24V = 110 120V = 48 240V = 31	24V = 2.6 120V = 3.3 240V = 3.6	Cool white=1.5 Warm white=1.3	10
LX-IG-ZD2-2W	1x2W	24VDC 120/240	24V = 110 120V = 48 240V = 31	24V = 2.6 120V = 3.3 240V = 3.6	Cool white=2.0 Warm white=1.7	10
LX-IG-ZD4-2W	1x2W	24VDC 120/240	24V = 110 120V = 48 240V = 31	24V = 2.6 120V = 3.3 240V = 3.6	Cool white=2.0 Warm white=1.7	10





Recessed wooden floor light



Soft light



LX-IG-R68-2W



LX-IG-S68-2W



LX-IG-R67-2W



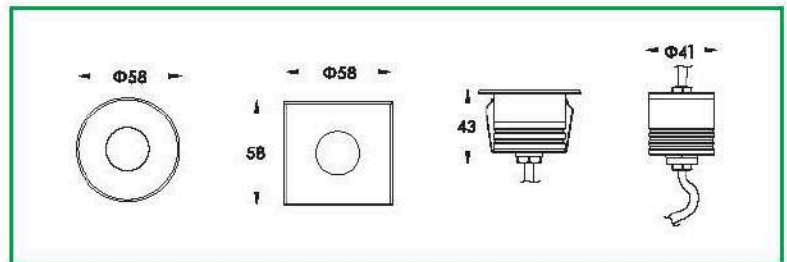
LX-IG-S67-2W



LX-IG-67A-2W
Asymmetrical



3000K* 4000K* 6000K*
optional Color temperature



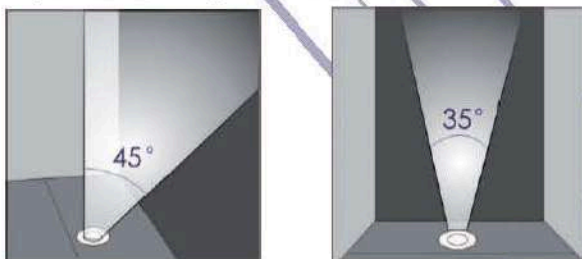
Installation diagram



A: Minimum space for external driver is 48mm
B: IP67 120V/240V/24V & RGB 24V external input driver



Impression drawing of lens C9



Material specifications

Housing	12° Die-casting dark grey powder coated aluminum T=60-80µm Adhesion of ISO class 1/ASTM class 4B
Front ring	Stainless steel SUS 316°
Glass	Step tempered glass, T=7mm
Glass pressure capacity	Full area=1106kgs
Operating temperature	-20°C~40°C
Power cable	H05RN-F 2X1, 0mm² L=0.5m (low voltage) H05RN-F 3X1, 0mm² L=0.5m (high voltage)

Item	Light source	Lens	Degree	Input voltage	Current	Consumption	Luminance	Ik rate
○ LX-IG-R67-2W □ LX-IG-S67-2W	1×2W Single color	B33D	20	24VDC 120/240	24V = 88 120V = 46 240V = 29	24V = 2.1 120V = 3.2 240V = 3.1	Cool white=130 Warm white=110	08
○ LX-IG-67A-2W	1×2W Single color	C9	45 35	24VDC 120/240	24V = 88 120V = 46 240V = 29	24V = 2.1 120V = 3.2 240V = 3.1	Cool white=130 Warm white=113	08
○ LX-IG-R68-2W □ LX-IG-S68-2W	6×Single Color	—	—	24VDC 240V	24V = 17 240V = 13	24V = 0.4 240V = 0.7	Cool white=2 Warm white=1	08

Recessed wooden floor light



Symmetrical



LX-IG-R71-12W
LX-IG-R71-12W-RGB LX-IG-S71-12W
LX-IG-S71-12W-RGB

Asymmetrical

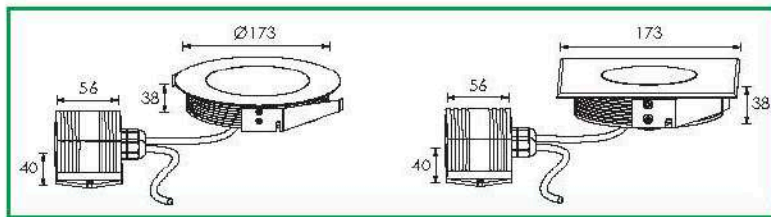


LX-IG-R71A-12W LX-IG-S71A-12W

Soft light



LX-IG-R72-2W
LX-IG-R72-3W-RGB LX-IG-S72-2W
LX-IG-S72-3W-RGB



Installation diagram



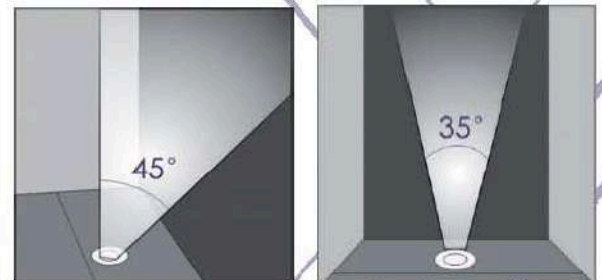
A: Minimum space for external driver is 48mm
B: External IP67 water-proof box for driver high voltage type

Material specifications

Housing	12" Die-casting dark grey powder coated aluminum T=60-80µm Adhesion of ISO class 1/ASTM class 4B
Front ring	Stainless steel SUS316 ^o
Glass	Step tempered glass, T=8mm
Glass pressure capacity	Full area=3370kgs
Operating temperature	-20°C~40°C
Power cable	H05RN-F 2X1.0mm ² L=0.5m (low voltage) H05RN-F 3X1.0mm ² L=0.5m (high voltage) H05RN-F 4X0.75mm ² L=0.5m (for RGB) H05RN-F 5X0.50mm ² L=0.5m (for RGBW)



Impression drawing of lens C9



Item	Light source	Lens	Beam	Input voltage	Power	Consumption	Luminance	IC rate
<input type="checkbox"/> LX-IG-R71-12W <input type="checkbox"/> LX-IG-S71-12W	6X2W Single color	B33D	20°	24VDC 120/240V	24V = 541 120V = 111 240V = 64	24V = 13.0 120V = 13.5 240V = 13.7	Cool white=956 Warm white=783	08
<input type="checkbox"/> LX-IG-S71-12W-RGB <input type="checkbox"/> LX-IG-R71-12W-RGB	6X2W RGB 3in1 Full color	B34D	30°	24V DC	R = 221 G = 257 B = 253	17.5	507	08
<input type="checkbox"/> LX-IG-R71A-12W <input type="checkbox"/> LX-IG-S71A-12W	6X2W Single color	C9	45° 35°	24VDC 120/240V	24V = 541 120V = 111 240V = 64	24V = 13.0 120V = 13.5 240V = 13.7	Cool white=757 Warm white=613	08
<input type="checkbox"/> LX-IG-R72-2W <input type="checkbox"/> LX-IG-S72-2W	36X Single Color	—	—	24VDC 240V	24V = 100 240V = 29	24V = 2.4 240V = 3.1	Cool white=51 Warm white=42	08
<input type="checkbox"/> LX-IG-R72-3W-RGB <input type="checkbox"/> LX-IG-S72-3W-RGB (12R 12G 12B 12W)	48X RGBW	—	—	24V DC	R=35 B=35 G=36 W=35	3.4	24	08



Recessed wooden floor light

Symmetrical



LX-IG-R69-6W
LX-IG-R69-6W-RGB



LX-IG-S69-6W
LX-IG-S69-6W-RGB

Asymmetrical



LX-IG-R69A-6W



LX-IG-S69A-6W

Soft light



LX-IG-R70-2W
LX-IG-R70-3W-RGB



LX-IG-S70-2W
LX-IG-S70-3W-RGB

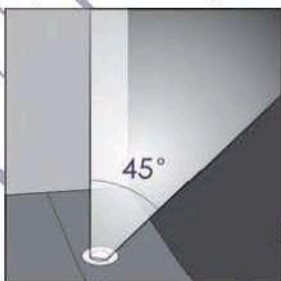


3000K*

4000K*

6000K*

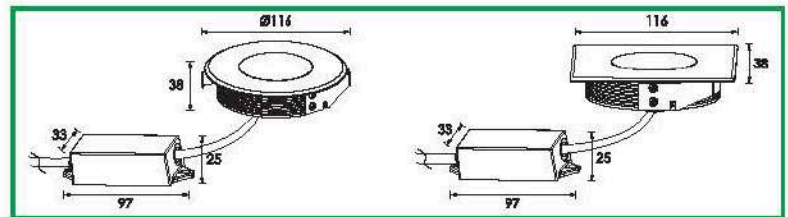
Impression drawing of lens C9



45°



35°



Installation diagram



A: Minimum space for external driver is 48mm

B: External IP67 water-proof box for driver of high voltage, RGB, RGBW type

Material specifications

Housing	12' Die-casting dark grey powder coated aluminum T=60-80µm Adhesion of ISO class 1/ASTM class 4B
Front ring	Stainless steel SUS 316'
Glass	Step tempered glass. T=8mm
Glass pressure capacity	Full area=3370kgs
Operating temperature	-20°C~40°C
Power cable	H05RN-F 2X1.0mm² L=0.5m (low voltage) H05RN-F 3X1.0mm² L=0.5m (high voltage) H05RN-F 4X0.75mm² L=0.5m (for RGB) H05RN-F 5X0.50mm² L=0.5m (for RGBW)



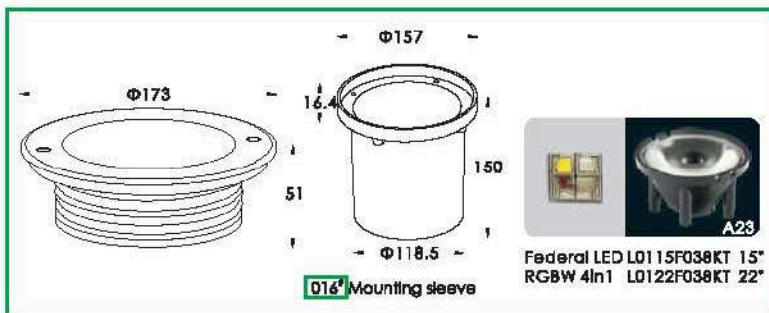
B34D B34C
L0130F023YH 30° L01130D23YH 15°



C9 B33D B33F
L0145F023YH 35° L0115D023YH 15° L0120D023YH 20° L0130D023YH 30° L0145D023YH 45°

Item	Light source	Lens	Beam	Input voltage	Current	Consumption	Lumiance (Lm)	Ik rate
○ LX-IG-R69-6W □ LX-IG-S69-6W	3X2W Single color	B33D	20	24VDC 240V	24V = 220 120V = 89 240V = 46	24V = 6.9 120V = 6.2 240V = 5.7	Cool white=452 Warm white=388	08
○ LX-IG-R69-6W-RGB □ LX-IG-S69-6W-RGB	3X2W RGB 3in1 Full color	B34D	30	24V DC	R = 100 G = 135 B = 133	8.8	197	08
○ LX-IG-R69A-6W □ LX-IG-S69A-6W	3X2W Single color	C9	45 35	24VDC 240V	24V = 220 120V = 89 240V = 46	24V = 6.9 120V = 6.2 240V = 5.7	Cool white=327 Warm white=287	08
○ LX-IG-R70-2W □ LX-IG-S70-2W	12X Single Color	—	—	24VDC 240V	24V = 34 240V = 17	24V = 0.8 240V = 1.2	Cool white=20 Warm white=13	08
○ LX-IG-R70-3W-RGB □ LX-IG-S70-3W-RGB	24X RGBW (6R 6G 6B 6W)	—	—	24V DC	R=17 G=18 B=17 W=17	1.7	6.6	08

Red Green Blue White 4 color mixing LED inground light



LX-IG-R75-12W-RGB

Material specifications

Housing	12" Die-casting dark grey powder coated aluminum T=60-80um Adhesion of ISO class 1/ASTM class 4B
Front ring	Stainless steel SUS 316"
Glass	Step tempered silver printed glass, T=8mm
Glass pressure capacity	Full area=2274kgs
Gasket	Molding shaped silicone seal
Driver	Constant current output RGBW 4in1 LED=6-circuit output
Operating temperature	-20°C~40°C
Cable gland	IP-68 PG-9 PVC
Power cable	H05RN-F 5X0.5mm ² L=0.5m (for RGBW)
Mounting sleeve	PVC Q16"

Item	Light source	Lens	Degree	Input voltage	Current	Consumption	Lumiance (Lm)	Ik rate
LX-IG-R75-12W-RGB	3X4W RGBW 4in1	A23	22	24VDC	583	14	430	07



Red Green Blue White 4 color mixing LED inground light



LX-IG-R75-12W-RGB



Material specifications

Housing	12" Die-casting dark grey powder coated aluminum T=60-80µm Adhesion of ISO class 1/ASTM class 4B
Front ring	Stainless steel SUS 316"
Glass	Step tempered glass, T=8mm
Glass pressure capacity	Full area=2578kgs
Gasket	Molding shaped silicone seal
Driver	Constant current output Single color LED=1-circuit output RGBW 4in1 LED=4-circuit output
Operating temperature	-20°C-40°C
LED	Edison federal RGBW 4in1 LED
Lens	Asymmetrical optical lens, efficiency≥85%
Cable gland	IP-68 PG-9 PVC
Power cable	H05RN-F 5X0.5mm ² L=0.5m (for RGBW)
Mounting sleeve	PVC Ø15"



LX-IG-R68-6W-RGB	1 X 6W RGBW 4in1	A23	22	24VDC	338	8.1	217	07
------------------	---------------------	-----	----	-------	-----	-----	-----	----

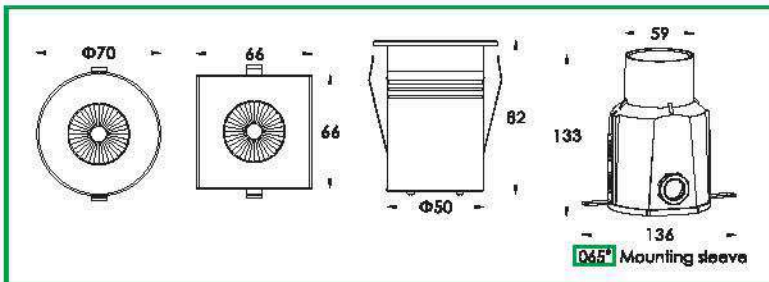
COB LED inground light



LX-IG-R77-5W



LX-IG-S77-5W



Material specifications

Housing	12" Die-casting dark grey powder coated aluminum T=60-80µm Adhesion of ISO class 1/ASTM class 4B
Front ring	Stainless steel SUS 316"
Glass	Step tempered glass, T=7mm
Reflector	Optical Reflector efficiency ≥ 90%
LED	Multi chip on board LED
Glass pressure capacity	Full area= 43kg
Cable gland	Molding shaped silicone seal
Gasket	Molding shaped silicone seal
Driver	Constant current output
Operating temperature	-20°C~40°C
Power cable	H05RN-F 2X1.0mm ² L=0.5m (low voltage) H05RN-F 3X1.0mm ² L=0.5m (high voltage)
Mounting sleeve	PVC 065"

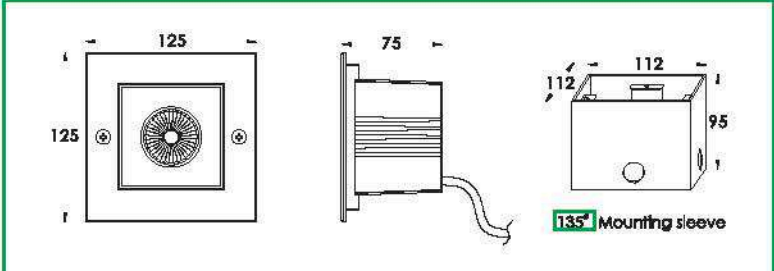
Item	Light source	Lens	Degree	Input voltage	Input Current	Consumption	Lumiance (Lm)	Ik rate
○ LX-IG-R77-5W	1X5W SHARP COB	R7	24	24VDC 120/240	24V = 230 120V = 100 240V = 56	24V = 5.5 120V = 7.0 240V = 7.0	Cool white=335 Warm white=294	08
□ LX-IG-S77-5W	1X5W SHARP COB	R7	24	24VDC 120/240	24V = 230 120V = 100 240V = 56	24V = 5.5 120V = 7.0 240V = 7.0	Cool white=335 Warm white=294	08



COB LED inground light



LX-IG-83-6W



Material specifications

Housing	12" Die-casting dark grey powder coated aluminum T=60-80µm Adhesion of ISO class 1/ASTM class 4B
Front cover	Stainless steel SUS 316 ⁸
Glass	Step tempered glass, T=8mm
Reflector	Optical Reflector efficiency ≥90%
LED	Multi chip on board LED
Glass pressure capacity	Full area=3118kgs
Cable gland	IP-67 copper and nickel coated
Gasket	Molding shaped silicone seal
Driver	Constant current output
Operating temperature	-20°C~40°C
Power cable	H05RN-F 2X1.0mm ² L=0.5m (low voltage) H05RN-F 3X1.0mm ² L=0.5m (high voltage)
Mounting sleeve	135° T=1.2mm Zinc plated mounting sleeve grey powder Coated T=60-80µm. Adhesion of ISO class 1/ASTM class 4B



LX-IG-83-6W	1 X 6W BRIDGELUX COB	R5	25	24VDC 120/240	24V = 270 120V = 106 240V = 60	24V = 6.5 120V = 7.6 240V = 7.6	Cool white=471 Warm white=402	09
-------------	-------------------------	----	----	------------------	--------------------------------------	---------------------------------------	----------------------------------	----





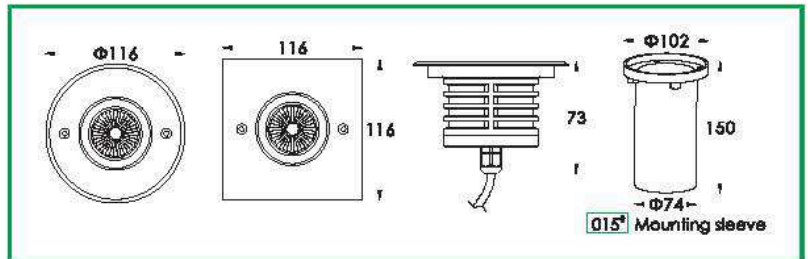
COB LED inground light



LX-IG-R79-6W



LX-IG-S79-6W

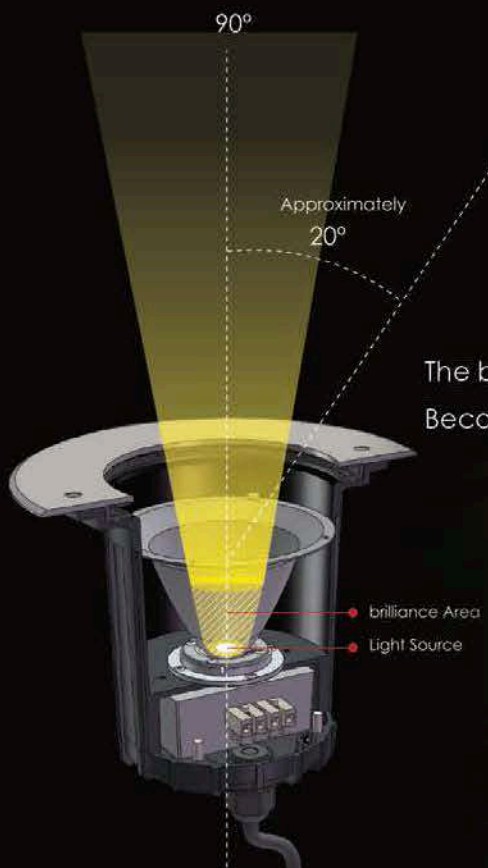


Material specifications

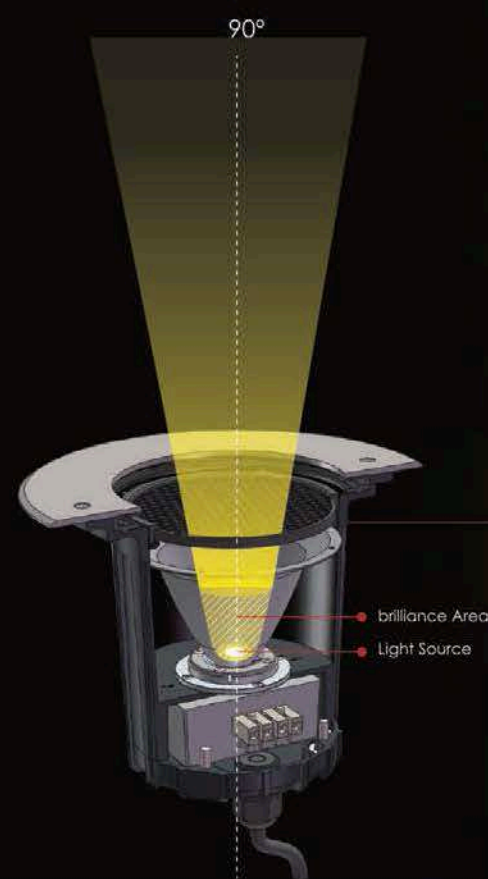
Housing	12° Die-casting dark grey powder coated aluminum T=60-80μm
Front ring	Stainless steel SUS316L°
Glass	Step tempered glass. T=8mm
Cable gland	IP-68 PG-9 PVC
Glass pressure capacity	Full area=2578kgs
LED	Multi chip on board LED
PCB	Excellent heat conductivity aluminum, coefficient of heat Conductivity≥2.0w/mk
Driver	Constant current output
Reflector	Optical Reflector efficiency≥90%
Operating temperature	-20°C-40°C
Power cable	H05RN-F 2X1.0mm² L=0.5m (low voltage) H05RN-F 3X1.0mm² L=0.5m (high voltage)
Mounting sleeve	PVC 015°

Item	Light source	Lens	Degree	Input voltage	Current	Consumption	Luminance	Ik rate
○ LX-IG-R79-6W	1×6W SHARP COB	R5	25	24VDC 120/240	24V = 270 120V = 110 240V = 60	24V = 6.5 120V = 7.6 240V = 7.6	Cool white=626 Warm white=529	09
□ LX-IG-S79-6W	1×6W SHARP COB	R5	25	24VDC 120/240	24V = 270 120V = 110 240V = 60	24V = 6.5 120V = 7.6 240V = 7.6	Cool white=626 Warm white=529	09

Feature



The brilliance won't offend the eyes in certain distance.
Because of its low origin position.



Honeycomb Louver

After installing the honey comb. The brilliance will offend the eyes only we have a nearly vertical vision to the lamp.



High luminance output COB LED inground light



LX-IG-2R74-5W

LX-IG-2R74-7W

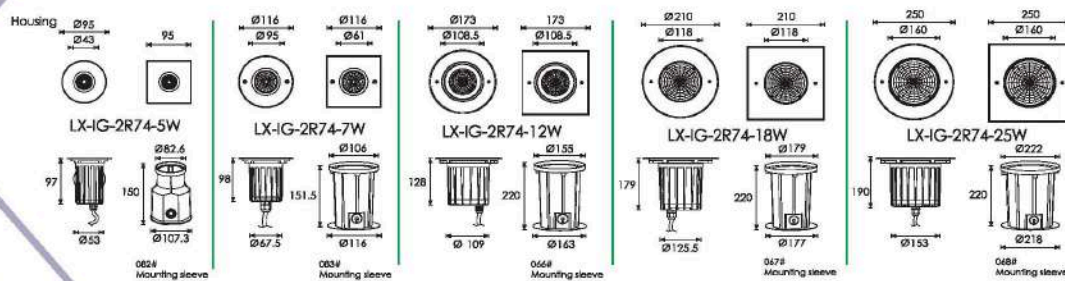
LX-IG-2R74-12W

LX-IG-2R74-18W

LX-IG-2R74-25W

Outer Dimension

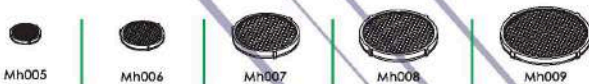
Unit:mm



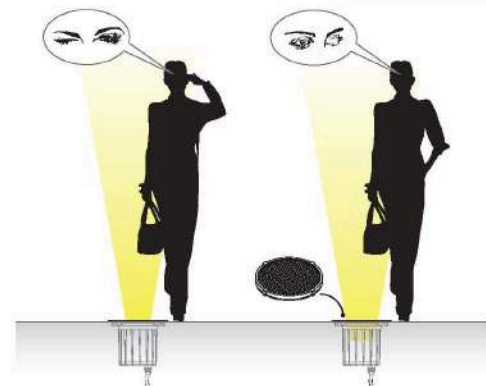
Material specifications

Housing	12# die-casting grey powder coated aluminum . T=60-80µm. Adhesion of ISO class 1/ASTM class 4B
Front cover	Hard chromeplated stainless steel SUS 316L#
Glass	5Step tempered white coating glass.T=10mm
Reflector	Optical Reflector efficiency=90%
LED	Multi chip on board LED
Cable gland	IP-68 PG-11 PVC
Gasket	Molding shaped seal
LED Driver	Constant Voltage Input, Constant Current Output
Operating temperature	-20°C-40°C
Power cable	H07RN-F 2X1.0mm² L=0.5m (low voltage) H07RN-F 3X1.0mm² L=0.5m (high voltage)
Mounting sleeve	ABS

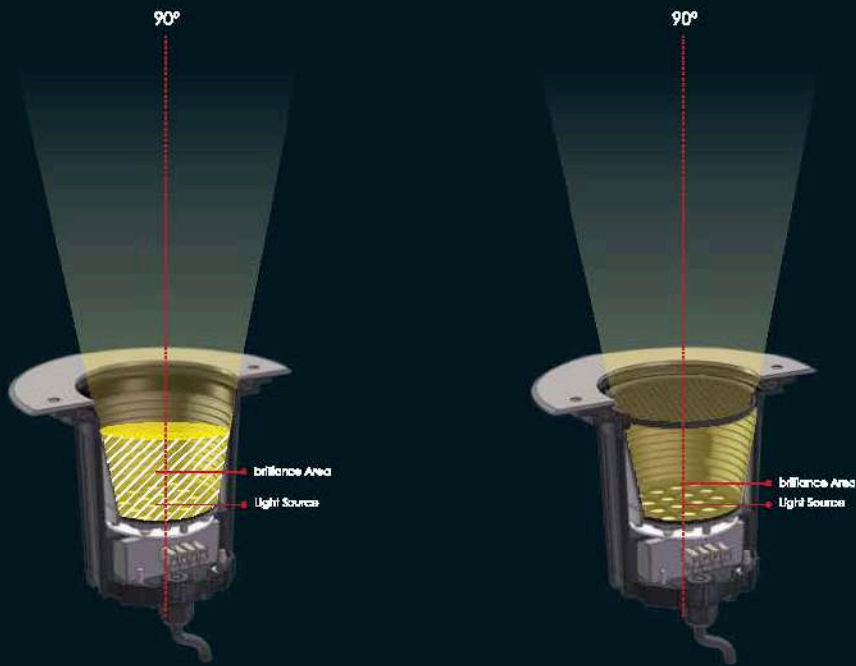
Optional Honeycomb Louver



Honeycomb Louver Effect Demo

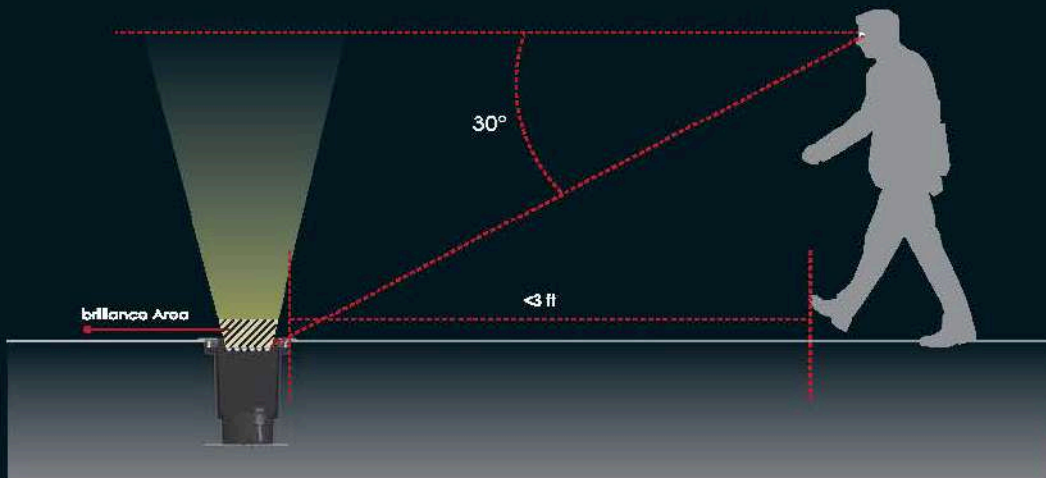


Item	Light source	Lens	Louver	Degree	Input voltage	Current	Consumption	Lumens	Ik rate
○ LX-IG-2R74 □ 5W	5W COB	R7	Mh005	24°	24V DC 120/240	24 V=265 120V = 52 240V = 34	24 V=6.3 120V = 6.0 240V = 6.0	Cool white=335 Warm white=294	09
○ LX-IG-2R74 □ 7W	7W COB	R8	Mh006	24°	24V DC 120/240	24 V=324 120V = 72 240V = 40	24 V=7.7 120V = 8.5 240V = 8.5	Cool white=550 Warm white=510	09
○ LX-IG-2R74 □ 12W	12W COB	R18	Mh007	22°	24V DC 120/240	24 V=570 120V = 102 240V = 65	24 V=14.1 120V = 14.0 240V = 14.0	Cool white=1075 Warm white=1010	10
○ LX-IG-2R74 □ 18W	18W COB	R19	Mh008	22°	24V DC 120/240	24 V=700 120V = 168 240V = 88	24 V=17.0 120V = 19.0 240V = 19.0	Cool white=1315 Warm white=1225	10
○ LX-IG-2R74 □ 25W	25W COB	R16	Mh009	25°	24V DC 120/240	24 V=1150 120V = 245 240V = 130	24 V=27.6 120V = 28.0 240V = 28.0	Cool white=2128 Warm white=1889	10

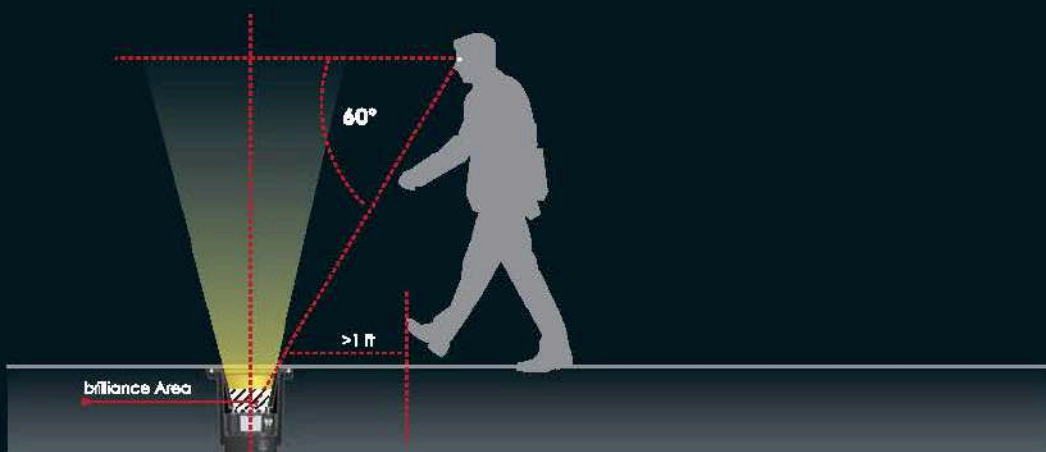


Differences between Kapego Depth illuminant series and others.

Others. Higher luminance origin.



Kapego Depth illuminant series. Luminance won't offend the eyes in a tiny region.





Depth Illuminant Series



LX-IG-3R74-2-4W

LX-IG-3R74-2-8W

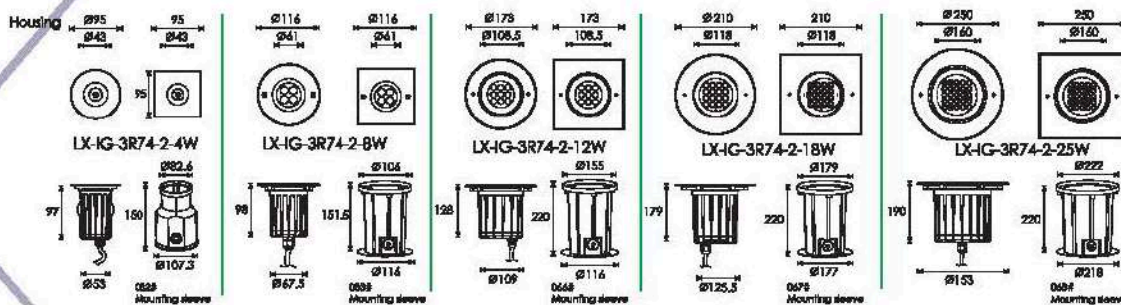
LX-IG-3R74-2-12W

LX-IG-3R74-2-18W

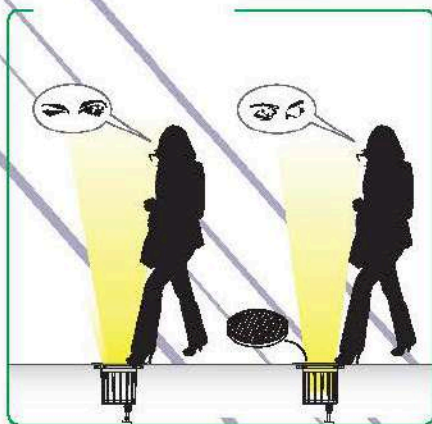
LX-IG-3R74-2-25W

Outer Dimension

Unit:mm



Honeycomb Louver Effect Demo



Material specifications

Housing	12# die-casting gray powder coated aluminum . T=60-80µm. Adhesion of ISO class 1/ASTM class 4B
Front cover	Hard chromeplated stainless steel SUS 316L#
Glass	Step tempered glass.T=10mm
Reflector	Optical Reflector efficiency=90%
LED	Osram SMD3030
Cable gland	IP68 PVC PG-9
Gasket	Molding shaped seal
LED Driver	Constant Voltage Input,Constant Current Output
Operating temperature	-20°C-40°C
Power cable	H07RN-F 2X1.0mm ² L=0.5m [low voltage] H07RN-F 3X1.0mm ² L=0.5m [high voltage]
Mounting sleeve	ABS

Optional Honeycomb Louver



Item	Light source	Lena	Louver	Degree	Input voltage	Current	Consumption	Lumina	Ik rate
○ LX-IG-3R74-2-4W	1x4.0W	B33D	Mh005	20°	24V DC 120/240	24 V = 131 120V = 64 240V = 35	24 V = 3.10 120V = 4.30 240V = 4.10	Cool white=230 Warm white=200	09
○ LX-IG-3R74-2-8W	4x2.0W	B15	Mh006	20°	24V DC 120/240	24 V = 270 120V = 69 240V = 38	24 V = 6.50 120V = 7.60 240V = 7.50	Cool white=600 Warm white=480	09
○ LX-IG-3R74-2-12W	9x1.2W	B15	Mh007	20°	24V DC 120/240	24 V = 521 120V = 122 240V = 64	24 V = 12.5 120V = 13.2 240V = 13.2	Cool white=1003 Warm white= 790	10
○ LX-IG-3R74-2-18W	16x1.2W	B15	Mh008	20°	24V DC 120/240	24 V = 800 120V = 166 240V = 85	24 V = 19.0 120V = 19.0 240V = 19.0	Cool white=1620 Warm white=1475	10
○ LX-IG-3R74-2-25W	25x1.0W	B15	Mh009	20°	24V DC 120/240	24 V = 1250 120V = 252 240V = 133	24 V = 30.0 120V = 30.5 240V = 30.0	Cool white=4573 Warm white=2329	10

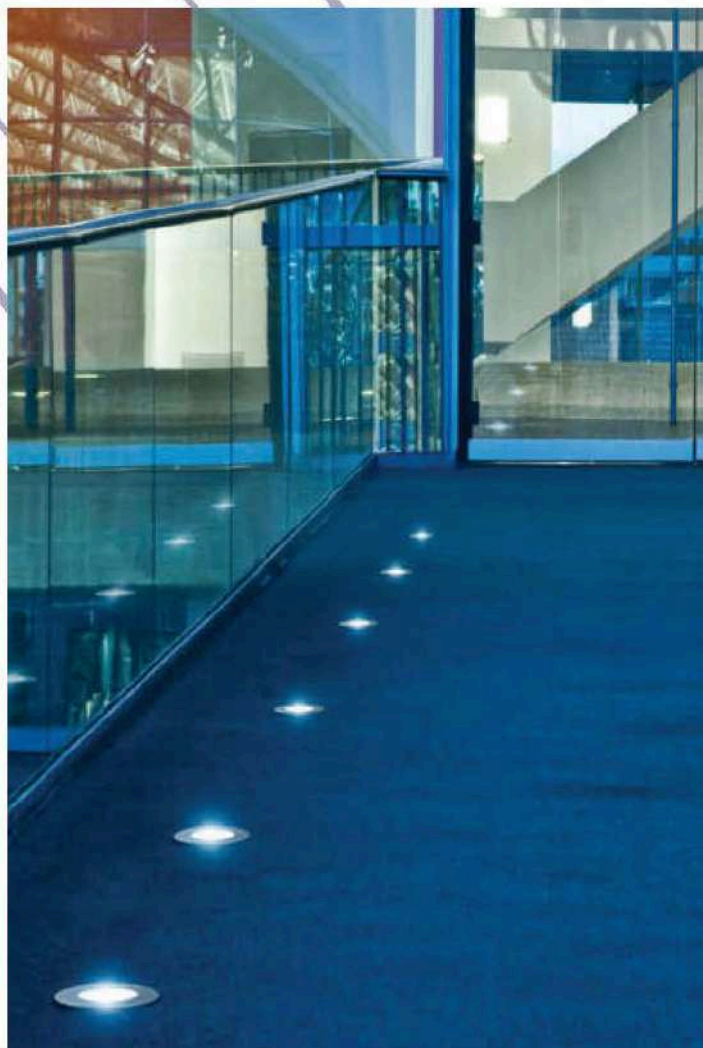
High humidity, acid, alkali site dedicated
inground light
Stainless steel 316L housing and front cover



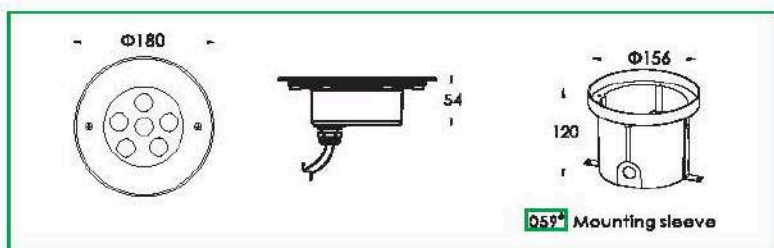
LX-IG-2R75-6W
LX-IG-2R75-9W-RGB
Symmetrical



LX-IG-2R75A-6W
Asymmetrical



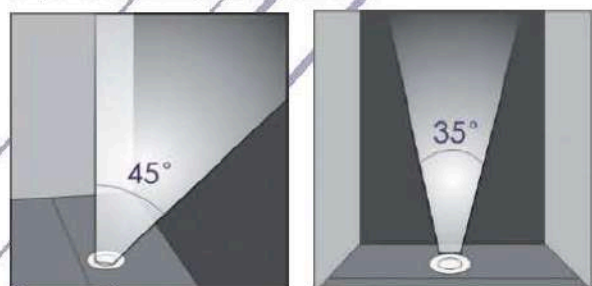
	B32	B8		C8
	L0120F024PS 20° L0125F024PS 25° L0130F024PS 30° L0135F024PS 35° L0145F024PS 45°	L0125D023KP 25°		L01 ⁴⁵ / ₃₅ F024PS



Material specifications

Front cover&Housing	Molding shaped sus 316L stainless steel
Waterproof seal	Molding shaped silicone seal
Glass	Step tempered glass. T=8mm
Cable gland	P-68 PG-11 PVC
Glass pressure capacity	Full area=3011kgs
Gasket	EPDM gasket
PCB	Excellent heat conductivity aluminum, coefficient of heat Conductivity≥2.0w/mk
Driver	Constant current output Single color LED=1-circuit output
Application environment	Between -20°C~40°C
Power cable	HD5RN-F 2X1.0mm ² L=0.5m (low voltage) HD5RN-F 4X0.75mm ² L=0.5m (for RGB)
Mounting sleeve	PVC 059

Impression drawing of lens C8



Item	Light source	Lens	Degree	Input voltage	Current	Consumption	Luminance (Lm)	Ik rate
LX-IG-2R75-6W	6X1W	B32	20	24VDC 120/240	300	7.2	Cool white=532 Warm white=454	08
LX-IG-2R75-9W-RGB	6X1.5W RGB 3in1 Full color	B8	25	24V DC	R = 120 G = 148 B = 145	10	223	08
LX-IG-2R75A-6W	6X1W	C8	45 35	24VDC 120/240	300	7.2	Cool white=483 Warm white=433	08



High humidity, acid, alkali site dedicated
inground light
Stainless steel 316L housing and front cover



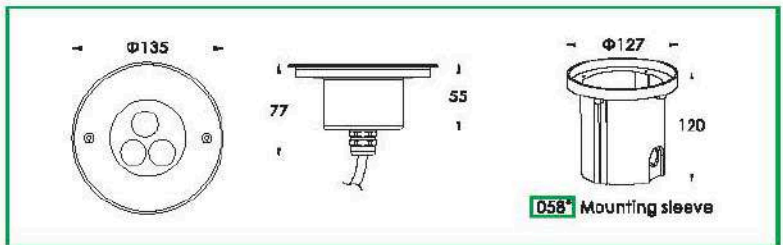
LX-IG-2R75-3W
LX-IG-2R75-4W-RGB
Symmetrical



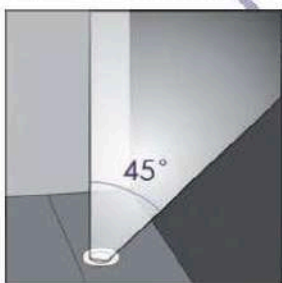
LX-IG-2R75A-3W
Asymmetrical



	B32	B8		C8
	L0120F024PS 20° L0125F024PS 25° L0130F024PS 30° L0135F024PS 35° L0145F024PS 45°	L0125D023KP 25°		L01 ⁴⁵ / ₃₅ F024PS



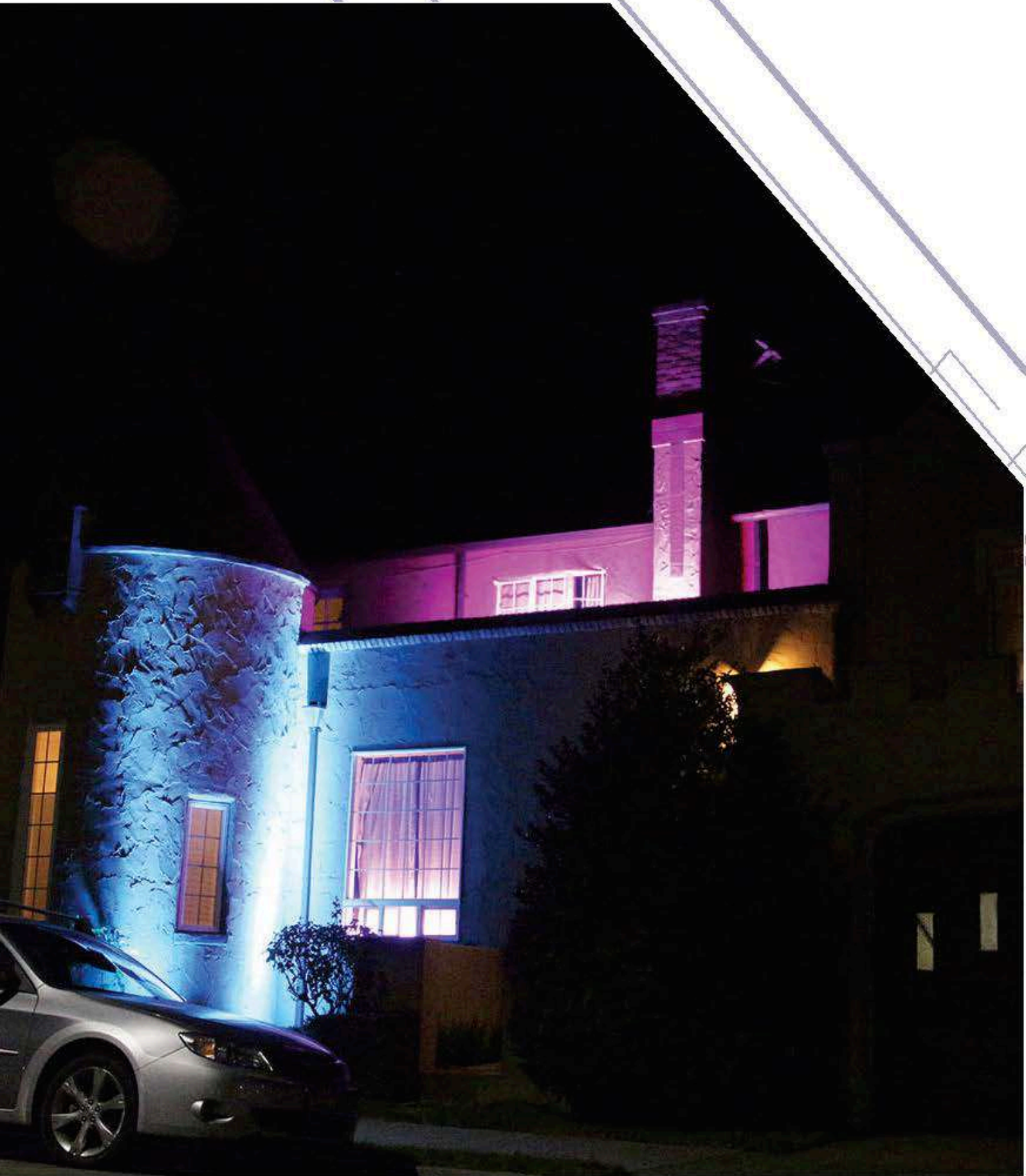
Impression drawing of lens C8



Material specifications

Front cover&Housing	Molding shaped sus 316L stainless steel
Waterproof seal	Molding shaped silicone seal
Glass	Step tempered glass. T=8mm
Cable gland	IP-68 PG-11 PVC
Glass pressure capacity	Full area=2612kgs
Gasket	EPDM gasket
PCB	Excellent heat conductivity aluminum, coefficient of heat Conductivity≥2.0w/mk
Driver	Constant current output Single color LED=1-circuit output
Application environment	Between -20°C~40°C
Power cable	H05RN-F 2X1.0mm ² L=0.5m (low voltage) H05RN-F 5X0.5mm ² L=0.5m (for RGB)
Mounting sleeve	PVC 058 ⁹

Item	Light source	Lens	Degree	Input voltage	Max Current	Consumption	Luminance (Lm)	Ik rate
LX-IG-2R75-3W	3X1W	B32	20	24VDC 220/240	141	3.4	Cool white=322 Warm white=250	08
LX-IG-2R75-4W-RGB	3X1.5W RGB 3in1 Full color	B8	25	24V DC	R = 50 G = 72 B = 72	4.6	118	08
LX-IG-2R75A-3W	3X1W	C8	45 35	24VDC 220/240	141	3.4	Cool white=251 Warm white=199	08





Slim type LED wall washer

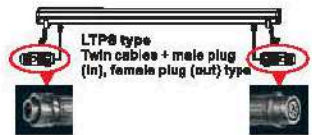
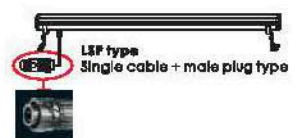


Optional Bracket

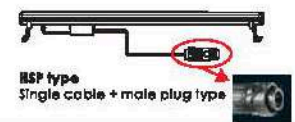
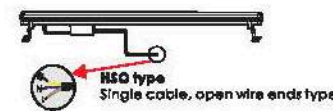


LX-IG-151-24W

Low Voltage Input (24VDC) power cord model

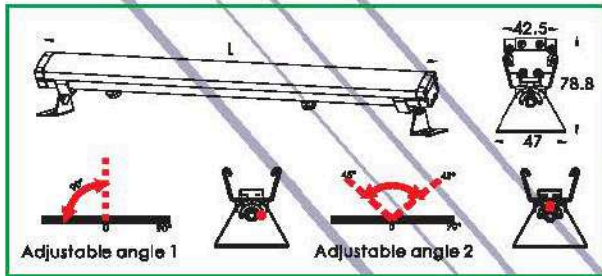


High Voltage Input (100V-240V) power cord wiring model



Material specifications

Housing	Extruded aluminum, powder coated
Lens	Optical lens, efficiency ≥ 85%
Glass	Tempered glass, T=4mm
Cable gland	IP-68 PG-9 PVC
Gasket	Glass and housing are silicone sealed
LED	Single color NICHIA LED Multi color TO power LED
Operating temperature	-20°C ~ 40°C
Bracket	Stainless steel SUS 316 ^o T=1.5mm
Power Cable	2xH05RN-F 3X0.5mm ² L=0.5m (high voltage) 2xH05RN-F 4X0.5mm ² L=0.5m (for RGB)



Item	Light source	Lens	Degree	Length	Input voltage	Current	Consumption	Luminance (Lm)	IK rate
LX-IG-151-6W	6x1W Single color	B17	20	265	24VDC 120/240	24V = 305 120V = 93 240V = 51	24V = 7.5 120V = 6.2 240V = 6.0	Cool white=530 Warm white=430	02
LX-IG-151-9W- -RGB	6x1.5W RGB 3in1 Full color	B21	35	265	24VDC	R = 120 G = 148 B = 145	10	110	02
LX-IG-151-12W	12x1W Single color	B17	20	500	24VDC 120/240	24V = 610 120V = 130 240V = 65	24V = 14.5 120V = 15.0 240V = 15.0	Cool white=1080 Warm white= 864	02
LX-IG-151-18W- -RGB	12x1.5W RGB 3in1 Full color	B21	35	500	24VDC	R = 275 G = 302 B = 303	21	363	02
LX-IG-151-24W	24x1W Single color	B17	20	1000	24VDC 120/240	24V = 1220 120V = 295 240V = 168	24V = 29 120V = 35 240V = 35	Cool white=2140 Warm white=1976	02
LX-IG-151-36W- -RGB	24x1.5W RGB 3in1 Full color	B21	35	1000	24VDC	R = 537 G = 606 B = 602	42	763	02

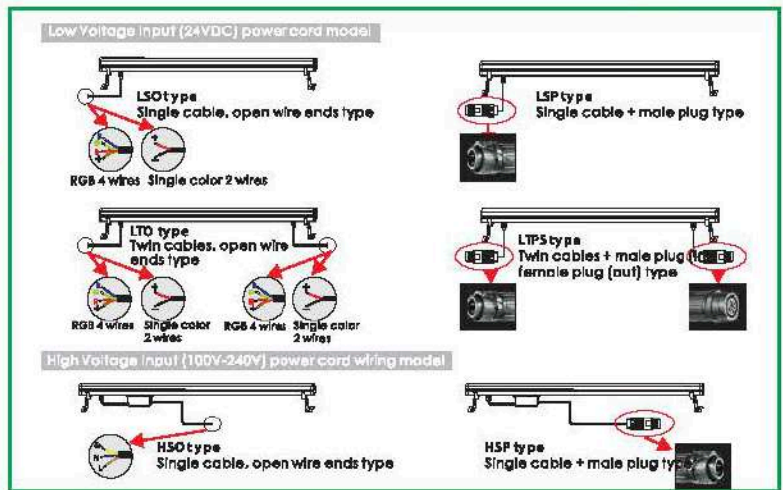
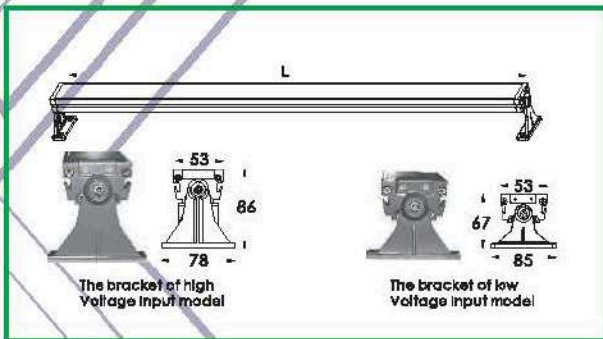




High power LED wall washer



LX-IG-154-40W



Material specifications

Housing	Extruded aluminum, powder coated
Lens	Optical lens, efficiency ≥85%
Glass	Tempered glass, T=3mm
Cable gland	IP-68 PG-9 PVC
Gasket	Glass and housing are silicone sealed
Operating temperature	-20°C- 40°C
LED	Single color OSRAM LED Multi color TO power LED
Bracket	12' Die-casting powder coated aluminum
Power Cable	H05RN-F 3X1.0mm ² L=0.5m (high voltage) H05RN-F 4X1.0mm ² L=0.5m (for RGB)

Item	Light source	Lens	Degree	Length	Input voltage	Current	Consumption	Luminance (Lm)	IC rate
LX-IG-154-20W	10X2W Single color	B33D	20	500	24VDC 120/240	1041	25	Cool white=1476 Warm white=1174	05
LX-IG-154-20W -RGB	10X2W RGB 3in1 Full color	B34D	30	500	24VDC	R = 500 G = 500 B = 500	33.6	479	05
LX-IG-154-40W	20X2W Single color	B33D	20	1000	24VDC 120/240	2056	50	Cool white=2890 Warm white=2308	05
LX-IG-154-40W -RGB	20X2W RGB 3in1 Full color	B34D	30	1000	24VDC	R = 800 G = 1000 B = 1000	67.2	956	05
LX-IG-154S-20W	10X2W Single color	B33D	20	500	24VDC 120/240	120V=174 240V=92	120V=20.8 240V=20.8	Cool white=1476 Warm white=1338	05
LX-IG-154S-40W	20X2W Single color	B34D	20	1000	24VDC 120/240	120V=374 240V=202	120V=41.0 240V=42.2	Cool white=2890 Warm white=2518	05





Red Green Blue White 4 color in 1 LED mixing wall washer



LX-IG-151-48W-RGB

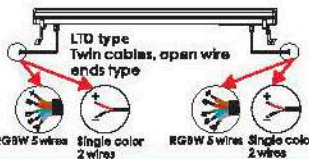
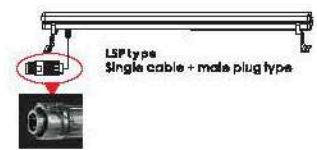
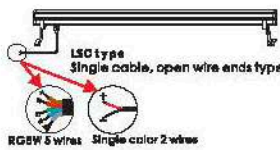


LX-IG-151-24W-RGB
LX-IG-151A-24W-RGB

Optional Bracket

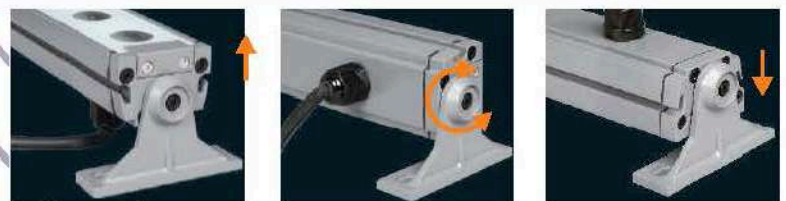
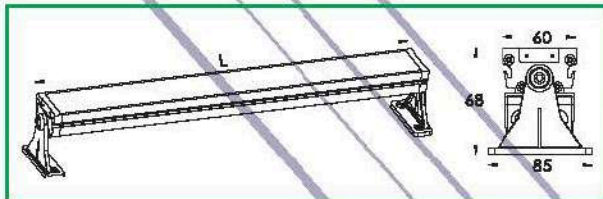


Low Voltage Input (24VDC) power cord model



Material specifications

Housing	Extruded aluminum, powder coated
Lens	Optical lens, efficiency ≥85%
Connector	IP-68 plug male/female
Glass	Tempered glass, T=3mm
Cable gland	IP-68 PG-11 PVC
Gasket	Glass and housing are silicone sealed
Operating temperature	-20°C ~ 40°C
LED	RGBW 4in1 power LED
Bracket	1 1/2" Die-casting powder coated aluminum
Power Cable	Input: waterproof plug connector Output: waterproof socket connector 2×H05RN-F 5X0.5mm² L=0.5m (for RGB)



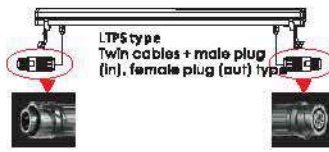
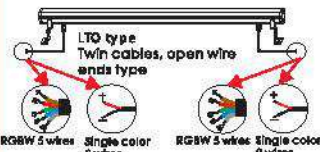
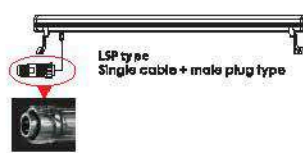
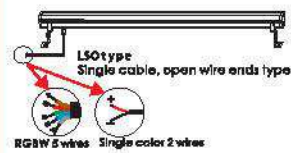
Item	Light source	Lens	Degree	Length	Input voltage	Current	Consumption	Luminescence	Ik rate
LX-IG-151-24W-RGB	6×4W RGBW 4in1	A23	22	500	24VDC	R = 321 G = 352 B = 352	32	744	05
LX-IG-151-48W-RGB	12×4W RGBW 4in1	A23	22	1003	24VDC	R = 600 G = 700 B = 700	64	1904	05
LX-IG-151A-24W-RGB	6×4W RGBW 4in1	C4	45 35	500	24VDC	R = 298 G = 306 B = 346 W = 344	30	843	05

High luminance output LED wall washer

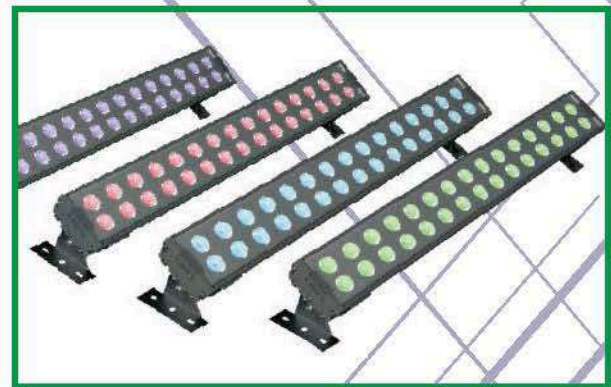
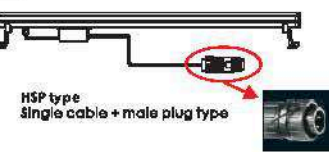
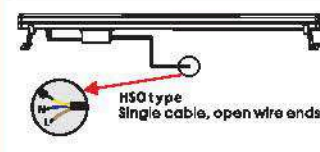


LX-IG-WW-45W

Low Voltage Input (24VDC) power cord model

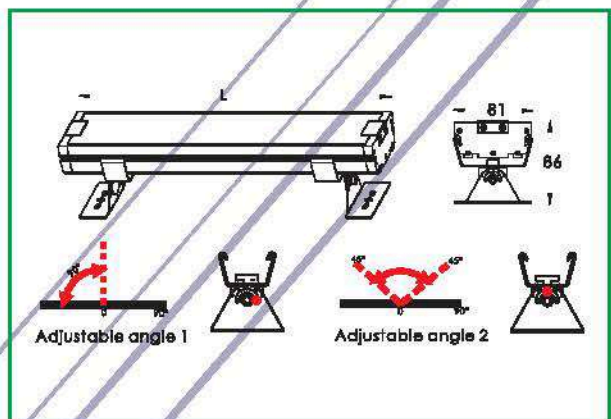


High Voltage Input (100V-240V) power cord wiring model



Material specifications

Housing	Extruded aluminum, powder coated
Waterproof seal	Optical lens, efficiency ≥ 85%
Glass	Tempered glass, T=4mm
Cable gland	IP-68 PG-11 PVC
Connector	IP-68 plug male/female (option)
Operating temperature	-20°C ~ 40°C
LED	Multi color TO power LED
Bracket	Stainless steel, T=1.5mm
Power Cable	Input: waterproof plug connector Output: waterproof socket connector 2×H05RN-F 2×1.5mm ² L=0.5m (low voltage) 2×H05RN-F 3×1.0mm ² L=1m (Main voltage) 2×H05RN-F 4×0.75mm ² L=0.5m (for RGB)



Item	Light source	Lens	Degree	Length	Input voltage	Current	Consumption	Luminance (Lm)	Ik rate
LX-IG-WW-24W	16×1.5W	B33D	20	300	24VDC 120/240	24V = 1050 120V = 223 240V = 124	24V = 25.0 120V = 26.0 240V = 26.4	Cool white=2000 Warm white=1394	05
LX-IG-WW-32W RGB	16×2W RGB 3in1 Full color	B34D	30	300	24VDC	R = 400 G = 750 B = 750	45	1125	05
LX-IG-WW-45W	30×1.5W	B33D	20	600	24VDC 120/240	24V = 1750 120V = 396 240V = 219	24V = 42.0 120V = 47.0 240V = 48.0	Cool white=4040 Warm white=2730	05
LX-IG-WW-60W RGB	30×2W RGB 3in1 Full color	B34D	30	600	24VDC	R = 1000 G = 1250 B = 1250	84	2201	05



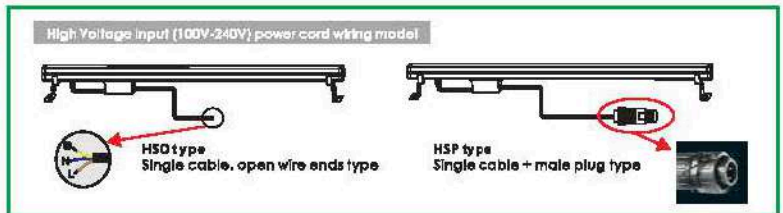
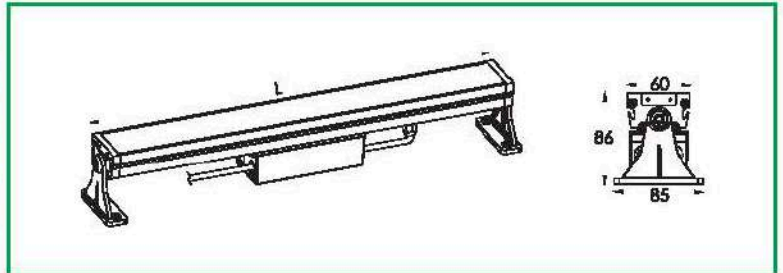
High luminance COB LED wall washer



LX-IG-WWSHARP-48W



LX-IG-WWSHARP-24W



Material specifications

Housing	Extruded aluminum, powder coated
Reflector	Optical lens, efficiency ≥ 85%
Glass	Tempered glass, T=3mm
Cable gland	IP-68 PG-9 PVC
Gasket	Glass and housing are silicone sealed
Operating temperature	-20°C - 40°C
LED	COB LED
Bracket	1 1/2" Die-casting powder coated aluminum
Power Cable	Input: H05RN-F 3×1.0mm ² L=0.3M + waterproof plug connector Output: H05RN-F 3×1.0mm ² L=0.5M + waterproof socket connector



Item	Light source	Lens	Degree	Length	Input voltage	Current	Consumption	Luminaire	Ik rate
LX-IG-WWSHARP-24W	6×4W SHARP	R7	24	500	24VDC 120/240	24V = 1200 120V = 261 240V = 150	24V = 28.8 120V = 31.0 240V = 33.0	Cool white=1721 Warm white=1553	05
LX-IG-WWSHARP-48W	12×4W SHARP	R7	24	1003	24VDC 120/240	24V = 2380 120V = 565 240V = 285	24V = 57.6 120V = 65.0 240V = 66.0	Cool white=3417 Warm white=3094	05



Garden Light



High power LED garden light



LX-IG-89-2W
LX-IG-89-3W-RGB

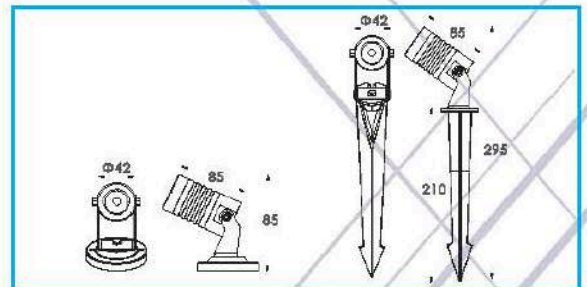


LX-IG-88-2W
LX-IG-88-3W-RGB



Basic color selection

Powder painting RAL 8019	Powder painting RAL9005	Powder painting RAL9006	Aluminum anodized



Material specifications

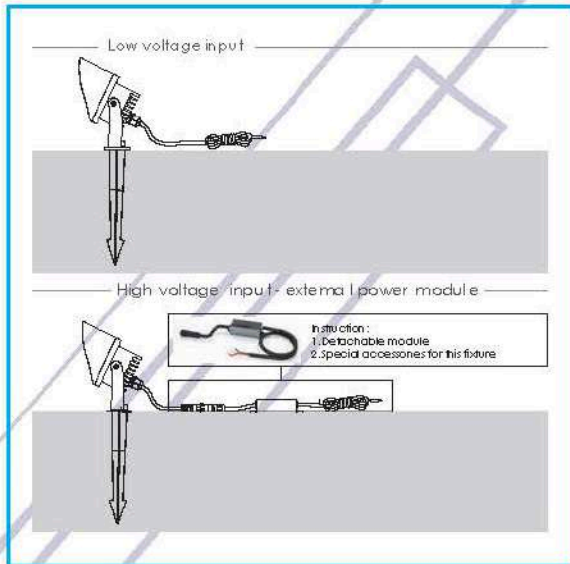
Housing	Aluminum anodized finishing or powder painting
Lens	Optical lens, efficiency $\geq 85\%$
Glass	Tempered glass, T=3mm
Cable gland	Nickel coated copper
Gasket	Tooling shaped seal
LED	1 α type power LED for RGB, single color is OSRAM
PCB	Excellent heat conductivity aluminum, coefficient of Heat Conductivity $\geq 2.0w/mk$
Driver	Constant current output Single color LED=1-circuit output RGB 3in1 LED =3-circuit output
Operating temperature	-20°C~40°C
Power Cable	H05RN-F 2X1.0mm ² L=2.0m (low voltage) H05RN-F 3X1.0mm ² L=2.0m (high voltage) H05RN-F 4X0.75mm ² L=2.0m (for RGB)



Item	Light source	Lens	Degree	Input voltage	Current	Consumption	Luminescence	Life rate
LX-IG-89-2W	1 X 2W	B33D	20	24VDC 120/240	24V = 110 120V = 48 240V = 28	24V = 2.6 120V = 3.0 240V = 3.1	Cool white=149 Warm white=120	02
LX-IG-89-3W -RGB	1 X 3W RGB 3in1 Full color	B34D	30	24VDC	R = 38 G = 53 B = 54	3.5	50	02
LX-IG-88-2W	1 X 2W	B33D	20	24VDC 120/240	24V = 110 120V = 48 240V = 28	24V = 2.6 120V = 3.0 240V = 3.1	Cool white=149 Warm white=120	02
LX-IG-88-3W -RGB	1 X 3W RGB 3in1 Full color	B34D	30	24VDC	R = 38 G = 53 B = 54	3.5	50	02



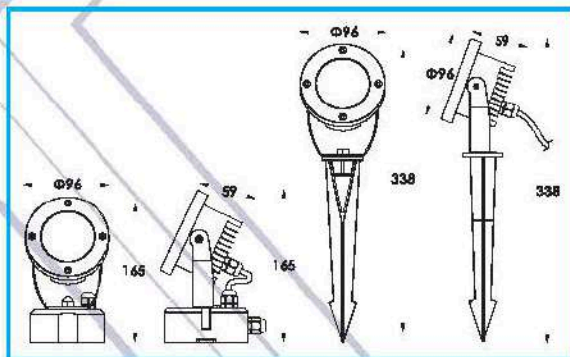
High power LED garden light



LX-IG-89-6W
LX-IG-89-6W-RGB



LX-IG-90-6W



Basic color selection

Powder painting RAL 9006	Powder painting PANTONE 432u	Powder painting RAL9005

Material specifications

Housing	12" Die-casting dark grey powder coated aluminum T=60-80um Adhesion of ISO class 1/ASTM class 4B
Lens	All-in-one optical lens, efficiency≥85%
Glass	Tempered glass, T=4mm
LED	IQ type power LED for RGB, single color is OSRAM
Cable gland	IP-68 PG-9 PVC
PCB	Excellent heat conductivity aluminum, coefficient of heat Conductivity≥2.0w/mk
Driver	Constant current output Single color LED=1-circuit output RGB 3in1 LED=3-circuit output
Operating temperature	-20°C~40°C
Power Cable	H05RN-F 2X1.0mm ² L=2.0m (low voltage) H05RN-F 3X1.0mm ² L=2.0m (high voltage) H05RN-F 4X0.75mm ² L=2.0m (for RGB)
Spike	PVC spike 5
Mounting base	Powder coated die-casting aluminum



Item	Light source	Lens	Degree	Input voltage	Current	Consumption	Luminance	Beam angle
LX-IG-89-6W	3×2W	B33D	20	12VDC 120/240	12V = 490 120V = 102 240V = 56	12V = 6.0 120V = 5.0 240V = 5.0	Cool white=480 Warm white=356	05
LX-IG-89-6W-RGB	3×2W RGB 3in1 Full color	B34D	30	12VDC	R = 150 G = 250 B = 250	5.5	214	05
LX-IG-90-6W	3×2W	B33D	20	12VDC 120/240	490	6.0	Cool white=480 Warm white=356	05





Architectural and landscape light



LX-IG-91-6W
LX-IG-91-6W-RGB



LX-IG-91-12W
LX-IG-91-12W-RGB



LX-IG-91-18W
LX-IG-91-18W-RGB



Basic color selection

Powder painting RAL 9006	Powder painting PANTONE 432u	Powder painting RAL9005

LX-IG-91-6W LX-IG-91-6W-RGB	LX-IG-91-12W LX-IG-91-12W-RGB	LX-IG-91-18W LX-IG-91-18W-RGB

L0130F023YH 30° L0115C023YH 15°

L0115D023YH 15° L0109F023YH 9°
L0120D023YH 20°
L0130D023YH 30°
L0145D023YH 45°

Material specifications

Housing	12" Die-casting dark grey powder coated aluminum T=60-80µm Adhesion of ISO class 1/ASTM class 4B
Lens	All-in-one optical lens, efficiency≥85%
Glass	Tempered glass, T=4mm
Cable gland	IP-68 PG-9 PVC
Gasket	Tooling shaped seal
Bracket	Steel aluminum
Power Cable	H05RN-F 2X1.0mm ² L=2.0m(low voltage) H05RN-F 3X1.0mm ² L=2.0m(high voltage) H05RN-F 4X0.75mm ² L=2.0m(for RGB)

Item	Light source	Lens	Degree	Input voltage	Current	Consumption	Luminance (Lm)	It rate
LX-IG-91-6W	3X2W	B33D	20	24VDC 120/240	24V = 240 120V = 102 240V = 56	24V = 5.7 120V = 7.0 240V = 7.0	Cool white=466 Warm white=383	07
LX-IG-91-6W-RGB	3X2W RGB 3in1 Full color	B34D	30	24VDC	R = 70 G = 125 B = 124	7.5	147	07
LX-IG-91-12W	6X2W	B33D	20	24VDC 120/240	24V = 530 120V = 97 240V = 56	24V = 13.0 120V = 11.5 240V = 12.0	Cool white=889 Warm white=680	08
LX-IG-91-12W-RGB	6X2W RGB 3in1 Full color	B34D	30	24VDC	R = 200 G = 250 B = 250	16.5	300	08
LX-IG-91-18W	6X3W NICHIA	B33D	20	24VDC 120/240	24V = 850 120V = 156 240V = 84	24V = 20.4 120V = 18.6 240V = 18.8	Cool white=1833 Warm white=1580	08
LX-IG-91-18W-RGB	6X3W RGB 3in1 Full color	B34D	30	24VDC	R = 350 G = 350 B = 350	25	473	08





Architectural and landscape light



LX-IG-113B-6W
LX-IG-113B-6W-RGB



LX-IG-113C-12W
LX-IG-113C-12W-RGB



LX-IG-113C-18W
LX-IG-113C-18W-RGB

Basic color selection

Powder painting RAL 9006	Powder painting PANTONE 432u	Powder painting RAL9005

LX-IG-113B-6W LX-IG-113B-6W-RGB	LX-IG-113C-12W LX-IG-113C-12W-RGB	LX-IG-113C-18W LX-IG-113C-18W-RGB

L0130F023YH 30°	L0115C023YH 15°	
L0115D023YH 15° L0120D023YH 20° L0130D023YH 30° L0145D023YH 45°	L0109F023YH 9°	

Material specifications

Housing	12# Die-casting powder coated aluminum . T=60-80µm. Adhesion of ISO class 1/ASTM class 4B
Lens	Optical lens, efficiency≥85%
Glass	Tempered glass, T=4mm
Cable gland	IP-68 PG-9 PVC
Gasket	Tooling shaped seal
Bracket	Powder coated aluminum
Spike	Plastic
Power Cable	H05RN-F 2X1.0mm ² L=2.0m(low voltage) H05RN-F 3X1.0mm ² L=2.0m(high voltage) H05RN-F 4X0.75mm ² L=2.0m(for RGB)

Plastic spike 5d LX-IG-113B-6W LX-IG-113B-6W-RGB	Plastic spike 6a(M18) LX-IG-113C-12W / LX-IG-113C-18W LX-IG-113C-12W-RGB / LX-IG-113C-18W-RGB		

Item	Light source	Lens	Degree	Input voltage	Current	Consumption	Luminance	Ik rate
LX-IG-113B-6W	3×2W Single Color	B33D	20	24VDC 120/240	24V = 240 120V = 51 240V = 30	24V = 5.7 120V = 6.0 240V = 6.0	Cool white=466 Warm white=383	07
LX-IG-113B-6W-RGB	3×2W RGB 3in1 Full color	B34D	30	24VDC	R = 70 G = 125 B = 124	7.6	147	07
LX-IG-113C-12W	6×2W Single Color	B33D	20	24VDC 120/240	24V = 530 120V = 97 240V = 56	24V = 13.0 120V = 11.5 240V = 12.0	Cool white=889 Warm white=680	08
LX-IG-113C-12W-RGB	6×2W RGB 3in1 Full color	B34D	30	24VDC	R = 200 G = 250 B = 250	16.8	300	08
LX-IG-113C-18W	6×3W NICHIA	B33D	20	24VDC 120/240	24V = 850 120V = 156 240V = 84	24V = 20.4 120V = 18.6 240V = 18.8	Cool white=1833 Warm white=1580	08
LX-IG-113C-18W-RGB	6×3W RGB 3in1 Full color	B34D	30	24VDC	R = 350 G = 350 B = 350	25	473	08





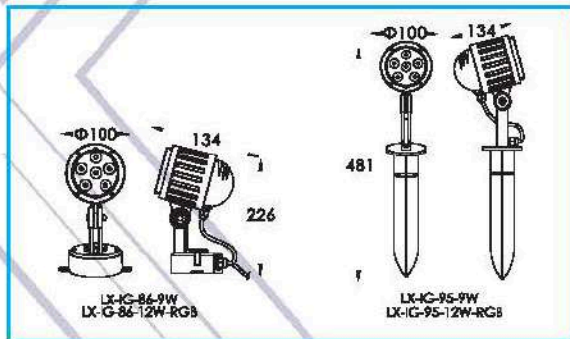
High power LED garden light



LX-IG-86-9W
LX-IG-86-12W-RGB



LX-IG-95-9W
LX-IG-95-12W-RGB



Basic color selection

Interior power supply in the mounting base of fixture IP65	3001° Optional hood	Powder painting RAL 7037	Powder painting RAL9005

Material specifications

Housing	12" Die-casting dark grey powder coated aluminum T=60-80µm Adhesion of ISO class 1/ASTM class 4B
Lens	All-in-one optical lens, efficiency ≥ 85%
Glass	Tempered glass, T=4mm
Gasket	Molding shaped silicone double seal
LED	TQ type power LED for RGB, single color is OSRAM
Cable gland	IP-68 PG-9 copper and nickel coated
PCB	Excellent heat conductivity aluminum, coefficient of heat Conductivity ≥ 2.0w/mk
Driver	Constant current output Single color LED=1-circuit output RGB 3in1 LED =3-circuit output
Operating temperature	-20°C-40°C
Power Cable	H05RN-F 2X1.0mm² L=2.0m (low voltage) H05RN-F 3X1.0mm² L=2.0m (high voltage) H05RN-F 4X0.75mm² L=2.0m (for RGB)
Spike	PVC spike 7A
Mounting base	Powder coated die-casting aluminum



Item	Light source	Lens	Degree	Input voltage	Current	Consumption	Lumiance	Ik rate
LX-IG-86-9W	6x1.5W	B33D	20	24VDC 120/240	24V = 550 120V = 98 240V = 53	24V = 13.2 120V = 12.0 240V = 12.0	Cool white=1004 Warm white= 775	05
LX-IG-86-12W-RGB	6x2W	B34D	30	24VDC	R = 210 G = 260 B = 260	17.5	364	05
LX-IG-95-9W	6x1.5W	B33D	20	24VDC 120/240	24V = 550 120V = 98 240V = 53	24V = 13.2 120V = 12.0 240V = 12.0	Cool white=1004 Warm white= 775	05
LX-IG-95-12W-RGB	6x2W	B34D	30	24VDC	R = 210 G = 260 B = 260	17.5	364	05





High power LED garden light



LX-G-2320511-3W



LX-G-2320514-18W

LX-G-2320514-18W

Anti-glare cover

LX-G-2320511-3W

OSRAM
L0130D023YH 30°

Material specifications

Housing	12° Die-casting dark grey powder coated aluminum T=60-80µm Adhesion of ISO class 1/ASTM class 4B
Lens	All-in-one optical lens, efficiency≥85%
Glass	Tempered glass, T=4mm
Gasket	Molding shaped silicone double seal
LED	IQ type power LED for RGB, single color is OSRAM
Cable gland	IP-68 PG-9 copper and nickel coated
PCB	Excellent heat conductivity aluminum, coefficient of heat Conductivity≥2.0w/mk
Driver	Internal
Operating temperature	-20°C~40°C
Power Cable	H05RN-F1-3G L=3m
Mounting base	Powder coated die-casting aluminum

Item	Light source	Lens	Degree	Input voltage	Current	Consumption	Luminescence	Life time
LX-G-2320511-3W	3x1.2W OSRAM LED	B33D	30°	24VDC 120/240	350mA	3.6	300	6
LX-G-2320512-7W	6x1.2W OSRAM LED	B33D	30°	24VDC 120/240	350mA	7.2	600	6
LX-G-2320513-10W	9x1.2W OSRAM LED	B33D	30°	24VDC 120/240	350mA	10.8	900	6
LX-G-2320514-18W	15x1.2W OSRAM LED	B33D	30°	24VDC 120/240	350mA	18	1500	6

High power LED garden light



LX-G-231044-18W

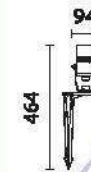


LX-G-231041-3W

Material specifications

Housing	12' Die-casting dark grey powder coated aluminum T=60-80µm Adhesion of ISO class 1/ASTM class 4B
Lens	All-in-one optical lens, efficiency ≥ 85%
Glass	Tempered glass, T=4mm
Gasket	Molding shaped silicone double seal
LED	IQ type power LED for RGB, single color is OSRAM
Cable gland	IP-68 PG-9 copper and nickel coated
PCB	Excellent heat conductivity aluminum, coefficient of heat Conductivity ≥ 2.0w/mk
Driver	Internal
Operating temperature	-20°C ~ 40°C
Power Cable	H05RN-F1-3G L=3m
Mounting base	Powder coated die-casting aluminum

LX-G-231041-3W



Anti-glare cover

LX-G-231044-18W



OSRAM B33D L0130D023YH 30°

Item	Light source	Lens	Degree	Input voltage	Current	Consumption	Lumens	Ik ratio
LX-G-231041-3W	3x1.2W OSRAM LED	B33D	30°	24VDC 120/240	350mA	3.6	300	6
LX-G-231042-7W	6x1.2W OSRAM LED	B33D	30°	24VDC 120/240	350mA	7.2	600	6
LX-G-231043-10W	9x1.2W OSRAM LED	B33D	30°	24VDC 120/240	350mA	10.8	900	6
LX-G-231044-18W	15x1.2W OSRAM LED	B33D	30°	24VDC 120/240	350mA	18	1500	6

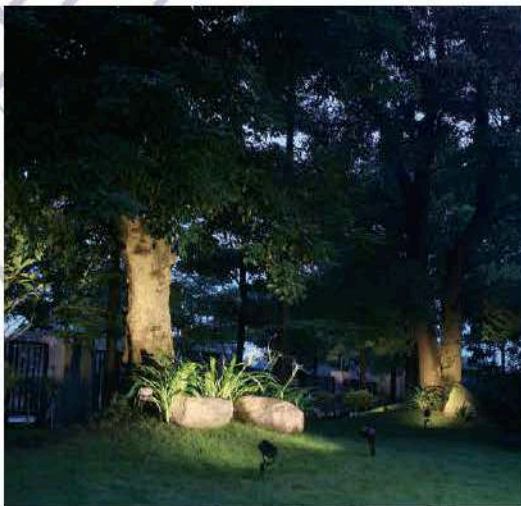


High power LED garden light



LX-G-2310401-3W

LX-G-2310404-18W

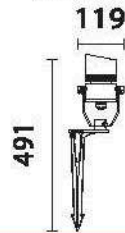


The knob with the scale helps the precise adjusting angle



The connected knob on the brace helps the luminaire body to rotate 355°

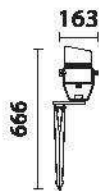
LX-G-2310401-3W



Material specifications

Housing	12° Die-casting dark grey powder coated aluminum T=60-80µm Adhesion of ISO class 1/ASTM class 4B
Lens	All-in-one optical lens, efficiency ≥85%
Glass	Tempered glass, T=4mm
Gasket	Molding shaped silicone double seal
LED	IQ type power LED for RGB, single color is OSRAM
Cable gland	IP-68 PG-9 copper and nickel coated
PCB	Excellent heat conductivity aluminum, coefficient of heat Conductivity ≥2.0w/mk
Driver	Internal
Operating temperature	-20°C~40°C
Power Cable	H05RN-F1-3G L=3m
Mounting base	Powder coated die-casting aluminum

LX-G-2310404-18W



L0130D023YH 30°



Item	Light source	Lens	Degree	Input voltage	Current	Consumption	Luminaire	IK rate
LX-G-2310401-3W	3x1.2W OSRAM LED	B33D	30°	24VDC 120/240	350mA	3.6	300	6
LX-G-2310402-7W	6x1.2W OSRAM LED	B33D	30°	24VDC 120/240	350mA	7.2	600	6
LX-G-2310403-10W	9x1.2W OSRAM LED	B33D	30°	24VDC 120/240	350mA	10.8	900	6
LX-G-2310404-18W	15x1.2W OSRAM LED	B33D	30°	24VDC 120/240	350mA	18	1500	6





High luminance COB LED flood light



Flood light
LX-FL-88A-20W



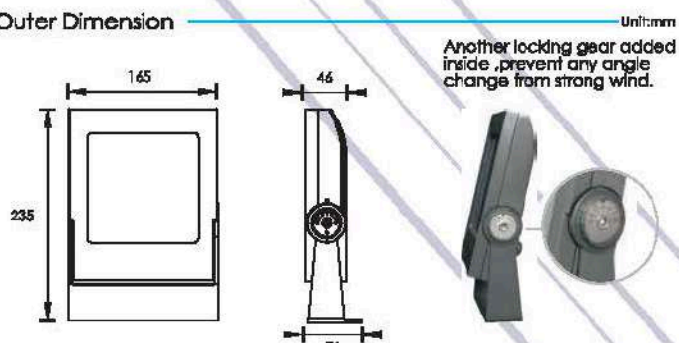
Spot light
LX-FL-88B-20W

Material specifications

	Unit:mm
Housing	12# Die-casting powder coated aluminum . T=60-80um. Adhesion of ISO class 1/ASTM class 4B
Bracket	Powder coated aluminum
Glass	Tempered glass. T=4mm
Reflector	Optical Reflector efficiency≥90%
LED	COB LED 5W
Cable gland	IP-68 PG-9 PVC
Gasket	Tooling shaped seal
Power cable	24V: H05RN-F 2×1.0mm ² L=2M (Single) 100/240V: H05RN-F 3×1.0mm ² L=2M (Single)



Outer Dimension



Housing color option

RAL9006 Silver Resistant Paint	RAL9005 Sanded Black	RAL8019 Sanded Brown

Reflector



R0125C044XL 25°

Item	Light source	Lens	Degree	Input voltage	Input Current	Consumption	Luminance (Lm)	Ik rate
LX-FL-88A-20W	1×20W	R12	100°	24V DC 120/240	24 V=960 120 V=205 240 V=105	24 V=23.0 120 V=24.0 240 V=24.4	Cool white =1865 Warm white =1678	08
LX-FL-88B-20W	4×5W	R5	25°	24V DC 120/240	24 V=1279 120 V= 196 240 V= 114	24 V=30.7 120 V=23.3 240 V=24.0	Cool white =1948 Warm white =1757	08





Wall Mounting Flood & Spot Light



LX-FL-90-24W-RGB



LX-FL-88B-24W
LX-FL-89B-24W-RGB

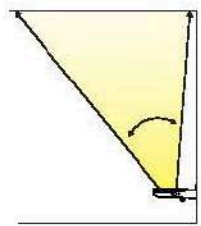
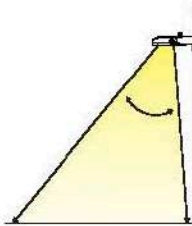
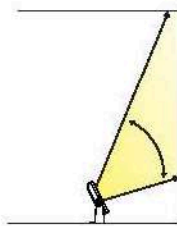


LX-FL-27-2-25W

Material specifications

Unit:mm

Housing	12# Die-casting powder coated aluminum . T=60-80µm. Adhesion of ISO class 1/ASTM class 4B
Bracket	Powder coated aluminum
Glass	Tempered glass. T=4mm
Reflector	Optical Reflector efficiency≥90%
LED	OSRAM
Cable gland	IP-68 PG-9 PVC
Gasket	Tooling shaped seal
Power cable	24V: H05RN-F 2×1.0mm ² L=2M(Single) 100/240V: H05RN-F 3×1.0mm ² L=2M(Single) 24V: H05RN-F 4X0.75mm ² L=2M (RGB)



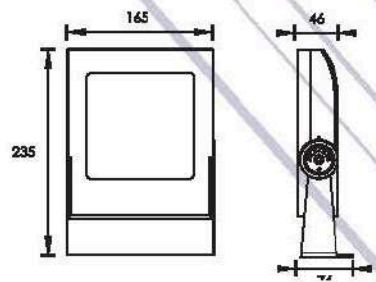
Spot Light

Wall Mounting Flood Light

Wall Mounting Flood Light

Outer Dimensions

Unit:mm



Another locking gear added inside ,prevent any angle change from strong wind.



Housing color option

Painting Color:RAL9006 White aluminum color	Painting Color:RAL9005 Gray Brown Color	Painting Color:RAL8019 Jet Black color

Lens

OSRAM B15 L0130D01 6LX 30°	OSRAM B34D L0130F023YH 30°	OSRAM A23 RGBW 4colors In1 LED L0115P038KT 15° L0122P038KT 22°

Item	Light source	Lens	Degree	Input voltage	Current	Consumption	Luminance	Ik rate
LX-FL-90-24 RGB	6x4W RGBW 4in1	A23	22°	24V DC3	R=299 B=350 G=352 W=349	2	1000	08
LX-FL-88B-24W LX-FL-89B-24W-RGB	12x2W	B34D	30°	24V DC3	R=429 B=512 G=512 W=506	4	703	08
LX-FL-27-2-25W	25x1.0W	B15	30°	24V DC 120/240	24 V=1200 120 V= 252 240 V= 133	24 V=29.0 120 V=30.5 240 V=30.0	Cool white=2573 Warm white=2329	08

Architectural and Landscape Spot Light



LX-FL-30-2-36W
LX-FL-30-2-36W
-RGB



LX-FL-30-2-18W
LX-FL-30-2-18W
-RGB



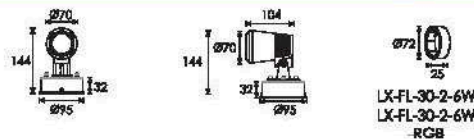
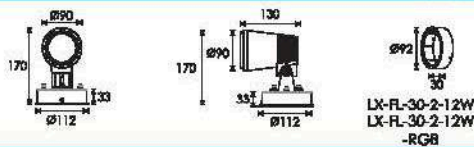
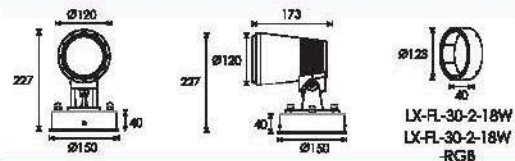
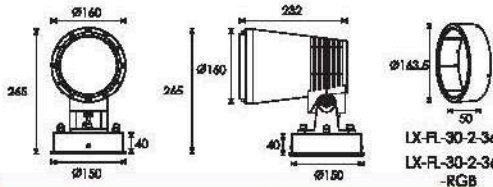
LX-FL-30-2-12W
LX-FL-30-2-12W
-RGB



LX-FL-30-2-6W
LX-FL-30-2-6W
-RGB

Outer Dimensions

Unit:mm



Back View



Accessories Option 1



Item



Light source



Lens



Degree



Input voltage



Current



Consumption



Luminescence



Ik rate

Item	Light source	Lens	Degree	Input voltage	Current	Consumption	Luminescence	Ik rate
LX-FL-30-2-36W	12x3.3W	B33D	20°	120/240V	120V=366 240V=186	120V=44.2 240V=44.0	Cool white=4035 Warm white=3431	09
LX-FL-30-2-36W -RGB	36x1.0W RGB 3IN1 12R/12G/12B	B34D	30°	24V DC	2000	48.5	1322	09
LX-FL-30-2-18W	6x3.3W	B33D	20°	120/240	120V=196 240V=101	120V=23.1 240V=23.3	Cool white=2017 Warm white=1855	08
LX-FL-30-2-18W -RGB	18x1.0W RGB 3IN1 6R/6G/6B	B34D	30°	24V DC	958	23	773	08
LX-FL-30-2-12W	3x4W	B33D	20°	120/240	120V=118 240V=65	120V=14.5 240V=15.1	Cool white=1230 Warm white=1018	07
LX-FL-30-2-12W -RGB	9x1.5W RGB 3IN1 3R/3G/3B	B34D	30°	24V DC	640	15.1	516	07
LX-FL-30-2-6W	3x2W	A23	30°	24V DC 120/240	24V=300 120V=110 240V=65	24V=7.20 120V=8.30 240V=8.50	Cool white=298 Warm white=263	07
LX-FL-30-2-6W -RGB	3x1.5W RGB 3IN1 1R/1G/1B	A23	30°	24V DC	285	6.9	134	07



Architectural and Landscape Spot Light

Reflector



LX-FL-31-2-40W



LX-FL-31-2-20W



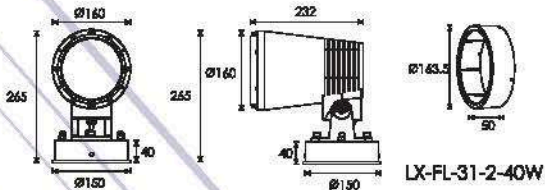
LX-FL-31-2-16W



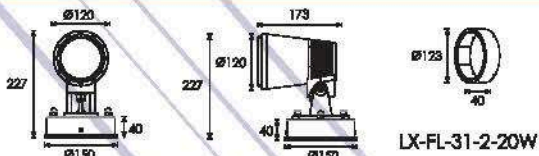
LX-FL-31-2-6W

Outer Dimensions

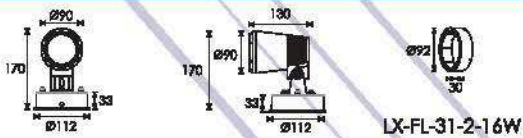
Unit:mm



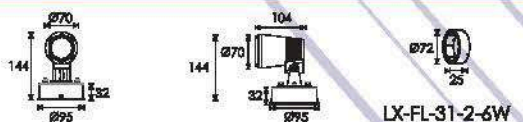
LX-FL-31-2-40W



LX-FL-31-2-20W



LX-FL-31-2-16W



LX-FL-31-2-6W

Back View

Side View



Accessories Option 1



Item



Light source



Lens



Degree



Input voltage



Current



Consumption



Luminaire



Life rate

Item	Light source	Lens	Degree	Input voltage	Current	Consumption	Luminaire	Life rate
LX-FL-31-2-40W	1×40W COB	R16	25°	120/240V	120V=372 240V=187	120V=44.8 240V=44.5	Cool white =3338 Warm white=2949	09
LX-FL-31-2-20W	1×20W COB	R19	22°	24V DC 120/240	24 V=960 120 V=205 240 V=108	24 V=23.0 120 V=23.5 240 V=24.2	Cool white =1753 Warm white=1543	08
LX-FL-31-2-16W	1×16W COB	R17	32°	24V DC 120/240	24 V=700 120 V=145 240 V= 80	24 V=17.0 120 V=17.0 240 V=17.0	Cool white =1315 Warm white=1225	07
LX-FL-31-2-6W	1×6W COB	R8	24°	24V DC 120/240	24 V=320 120 V= 65 240 V= 37	24 V=7.50 120 V=7.70 240 V=7.80	Cool white =730 Warm white=646	07

LED architectural and landscape lamp



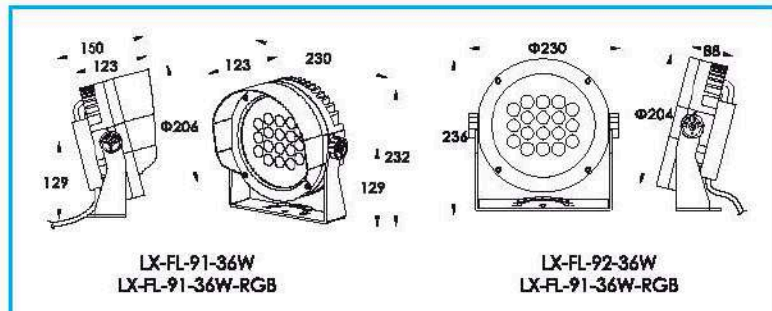
LX-FL-91-36W
LX-FL-91-36W-RGB



LX-FL-92-36W
LX-FL-92-36W-RGB

Basic color selection

Powder painting RAL 9006	Powder painting PANTONE 432u	Powder painting RAL9005



Material specifications

Housing	12# Die-casting powder coated aluminum . T=60-80µm. Adhesion of ISO class 1/ASTM class 4B
Glass	Tempered glass.T=4mm
Cable gland	Copper and nickel coated
Lens	Optical lens, efficiency≥85%
LED	IQ type power LED for RGB,single color is OSRAM
Bracket	Powder coated aluminum.T=2.5mm
Operating temperature	-20°C~40°C
Power Cable	H05RN-F 2X1.0mm ² L=2.0m(low voltage) H05RN-F 3X1.0mm ² L=2.0m(high voltage) H05RN-F 4X0.75mm ² L=2.0m (for RGB)



Item	Light source	Lens	Degree	Input voltage	Current	Consumption	Lumiance	Ik rate
LX-FL-92-36W LX-FL-91-36W	18X2W	B13	20	24VDC 120/240	24V = 1500 120V = 320 240V = 155	24V = 36 120V = 35 240V = 35	Cool white=2529 Warm white=1927	09
LX-FL-92-36W-RGB LX-FL-91-36W-RGB	18X2W RGB 3in1 Full color	B2	30	24VDC	R = 643 G = 768 B = 759	52	1076	09



Band form landscape light



LX-IG-92-6W

Basic color selection

Powder painting RAL 9006	Powder painting PANTONE 432u	Powder painting RAL9005

OSRAM B13
L0106D023LK 6° L0120D023LK 20°
L0113D023LK 13° L0130D023LK 30°

Material specifications

Housing	12# Die-casting powder coated aluminum . T=60-80µm. Adhesion of ISO class 1/ASTM class 4B
Glass	Tempered glass. T=3mm
Cable gland	IP-68 PG-9 PVC
Lens	Band form effect
Bracket	Powder coated stainless steel
Power Cable	H05RN-F 2X1.0mm ² =2.0m(low voltage)
Spike	PVC spike 5d



Item



Light source



Lens



Degree



Input voltage



Current



Consumption



Luminescence



Ik rate

LX-IG-92-6W

3X1.5W

B13

20

24VDC
120/240

250

6

Cool white=493
Warm white=362

05





Garden flood light



LX-IG-112-6W



LX-IG-107-6W



Applicable COB LED modul



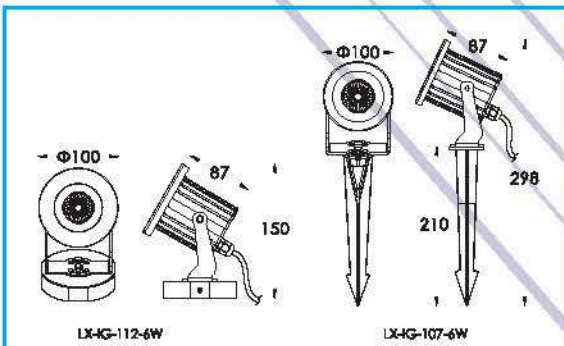
R0118C044XL 18"
R0125C044XL 25"
R0140C044XL 40"

Basic color selection

Powder painting RAL 9006	Powder painting PANTONE 432u	Powder painting RAL9005

Material specifications

Housing	12" Die-casting dark grey powder coated aluminum T=60-80µm Adhesion of ISO class 1/ASTM class 4B
Front cover	Stainless steel (SUS 304', 316' optional)
Glass	Tempered glass, T=4mm
Gasket	Tooling shaped seal
LED	COB LED 6W
Cable gland	IP-68 PG-9 PVC
Bracket	Powder coated aluminum
Reflector	Optical Reflector efficiency ≥ 90%
Power Cable	H05RN-F 2X1.0mm ² L=2.0m(low voltage) H05RN-F 3X1.0mm ² L=2.0m(high voltage)
Spike	PVC spike5
Mounting base	12" Die-casting grey powder coated aluminum



LX-IG-112-6W

LX-IG-107-6W



Item



Light source



Lens



Degree



Input voltage



Current



Consumption



Luminaire



Beam ratio

LX-IG-112-6W	1x6W BRIDGELUX COB	R5	40	24VDC 120/240	24V = 270 120V = 110 240V = 60	24V = 6.5 120V = 7.6 240V = 7.6	Cool white=520 Warm white=480	04
LX-IG-107-6W	1x6W BRIDGELUX COB	R5	40	24VDC 120/240	24V = 270 120V = 110 240V = 60	24V = 6.5 120V = 7.6 240V = 7.6	Cool white=520 Warm white=480	04

RED GREEN BLUE WHITE 4 color mixing LED landscape light



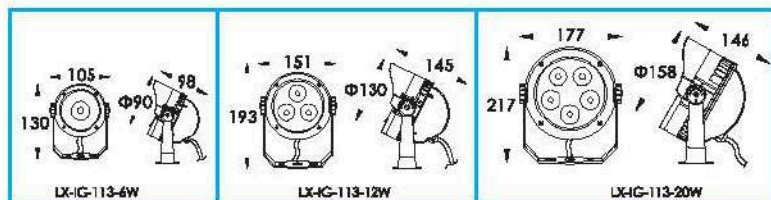
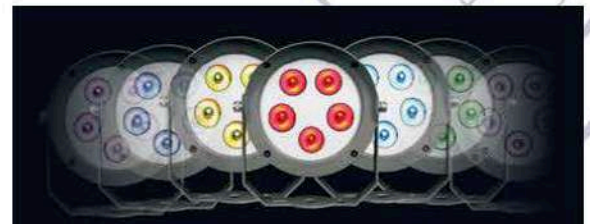
LX-IG-113-6W

LX-IG-113-12W

LX-IG-113-20W

Basic color selection

Powder painting RAL 9006	Powder painting PANTONE 432u	Powder painting RAL9005



Material specifications

Housing	12# Die-casting powder coated aluminum . T=60-80µm. Adhesion of ISO class 1/ASTM class 4B
Glass	Tempered glass. T=4mm
Cable gland	IP-68 PG-9 PVC
Lens	All-in-one optical lens, efficiency ≥85%
Bracket	Powder coated aluminum T=2.5mm
Gasket	Tooling shaped seal
Power Cable	H05RN-F 5X0.5mm² L=2.0m (for RGBW)



Item	Light source (W)	Lens	Degree	Input voltage (V)	Current (A)	Consumption (W)	Luminance (lm)	Life rate (h)
LX-IG-113-6W	1×6W RGBW 4in1	A23	22	24VDC	338	8.1	213	07
LX-IG-113-12W	3×4W RGBW 4in1	A23	22	24VDC	583	14	410	07
LX-IG-113-20W	5×4W RGBW 4in1	A23	22	24VDC	958	23	639	07



Landscape flood light



LX-IG-96-10W



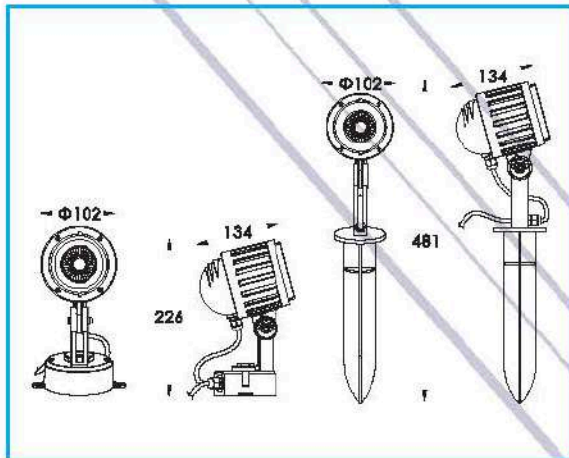
LX-IG-95-10W

Basic color selection



Interior power supply in the mounting base of fixture IP65	3001* Optional hood	Powder painting RAL 7037	Powder painting RAL9005

Material specifications



Housing	12' Die-casting powder coated aluminum , T=60-80um adhesion of ISO class 1/ASTM class 4B
LED	COB LED 10 W
Glass	Tempered glass, T=4mm
Cable gland	IP-68 PG-9 PVC
Gasket	Molding shaped silicone double seal
PCB	Excellent heat conductivity aluminum, coefficient of heat Conductivity≥2.0w/mk
Driver	Constant current output
Reflector	Optical Reflector efficiency≥90%
Operating temperature	-20°C-40°C
Spike	PVC spike7a
Power Cable	H05RN-F 2X1.0mm ² L=2.0m(low voltage) H05RN-F 3X1.0mm ² L=2.0m(high voltage)
Mounting base	Powder coated die-casting aluminum

Item	Light source	Lens	Degree	Input voltage	Current	Consumption	Luminance	Ik rate
LX-IG-96-10W	1X10W SHARP COB	R3	25	24VDC 120/240	24V = 411 120V = 88 240V = 48	24V = 9.8 120V = 10.5 240V = 10.5	Cool white=685 Warm white=674	05
LX-IG-95-10W	1X10W SHARP COB	R3	25	24VDC 120/240	24V = 411 120V = 88 240V = 48	24V = 9.8 120V = 10.5 240V = 10.5	Cool white=685 Warm white=674	05

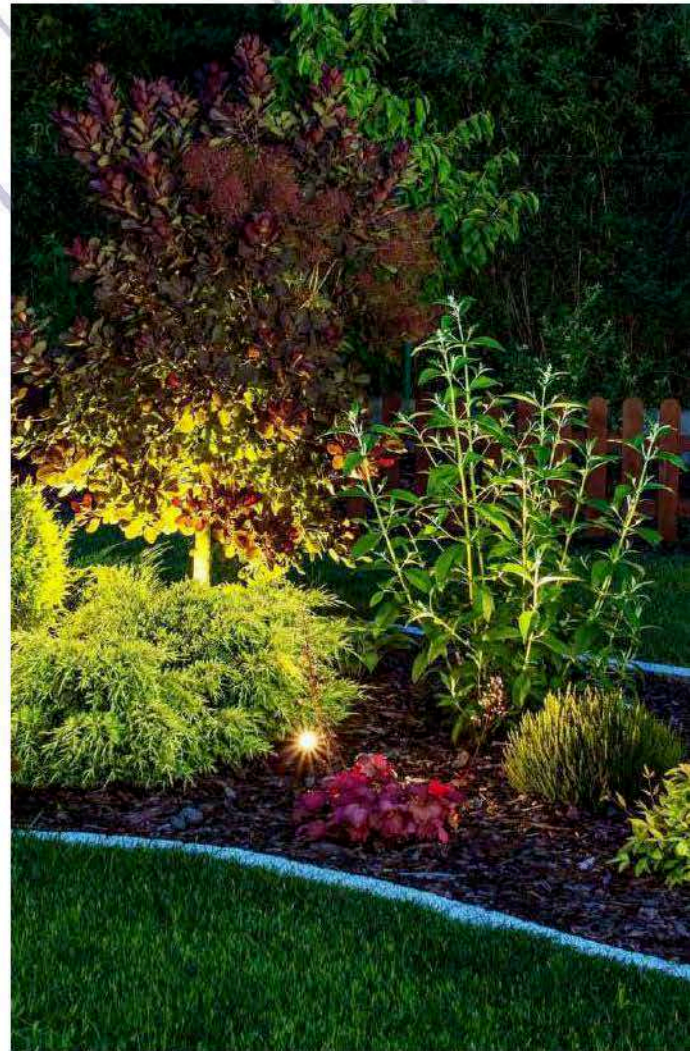
GX5.3 and GU10 socket multiple spot luminaire



LX-IG-97P-GU10

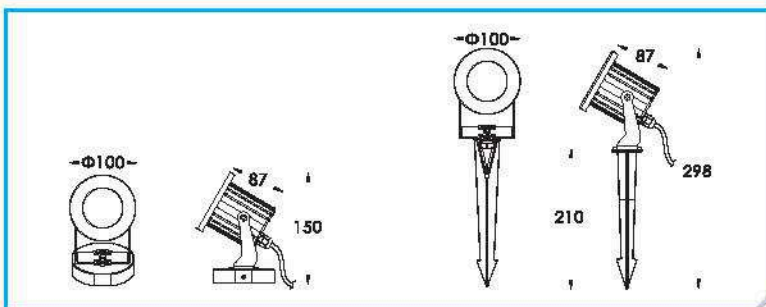


LX-IG-97-GU10



Basic color selection

Powder painting RAL 9006	Powder painting PANTONE 432u	Powder painting RAL9005



Material specifications

Housing	12# Die-casting powder coated aluminum . T=60-80µm. Adhesion of ISO class 1/ASTM class 4B
Glass	Tempered glass. T=3mm
Cable gland	IP-68 PG-9 PVC
Front cover	Stainless steel SUS 316L*
Bracket	Powder coated aluminum
Gasket	Tooling shaped seal
Power Cable	H05RN-F 3X1.0mm ² L=2.0m(high voltage)
Mounting base	Powder coated die-casting aluminum





Garden flood light



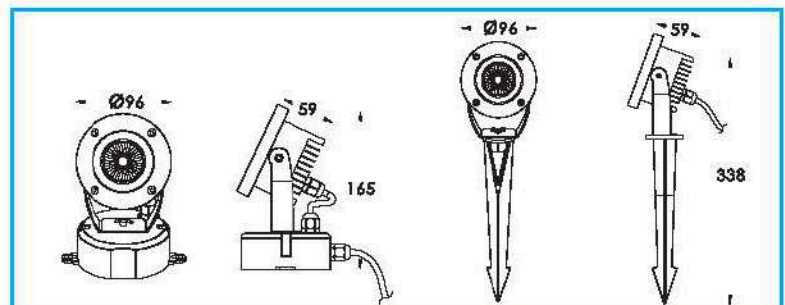
LX-IG-111-6W



LX-IG-112B-6W

Basic color selection

Powder painting RAL 9006	Powder painting PANTONE 432u	Powder painting RAL9005



Material specifications

Housing	12' Die-casting dark grey powder coated aluminum T=60-80µm Adhesion of ISO class 1/ASTM class 4B
Bracket	Powder coated aluminum
Glass	Tempered glass, T=5mm
Gasket	Tooling shaped seal
LED	COB LED 6W
Cable gland	IP-68 PG-9 PVC
Operating temperature	-20°C-40°C
Reflector	Optical Reflector efficiency≥90%
Power Cable	H05RN-F 2X1.0mm ² L=2.0m(low voltage) H05RN-F 3X1.0mm ² L=2.0m(high voltage)
Spike	PVC spike5
Mounting base	Powder coated die-casting aluminum



COB LED



R5

R0118C044XL 18°
R0125C044XL 25°
R0140C044XL 40°



Item



Light source



Lens



Degree



Input voltage



Current



Consumption



Luminance



Beam rate

LX-IG-111-6W	1×6W BRIDGELUX COB	R5	25/40	24VDC 120/240	24V = 270 120V = 106 240V = 60	24V = 6.5 120V = 7.6 240V = 7.6	Cool white=511 Warm white=437	07
LX-IG-112B-6W	1×6W BRIDGELUX COB	R5	25/40	24VDC 120/240	24V = 270 120V = 106 240V = 60	24V = 6.5 120V = 7.6 240V = 7.6	Cool white=511 Warm white=437	07

High luminance output landscape flood light



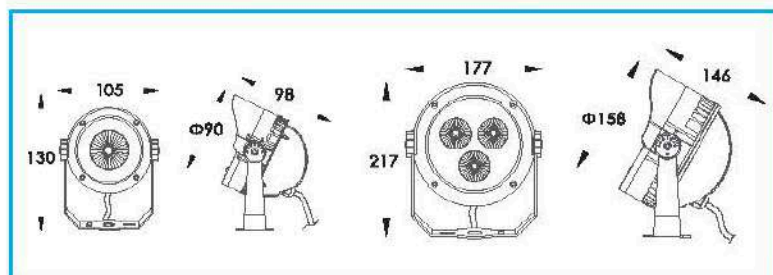
LX-IG-99-6W



LX-IG-99-15W

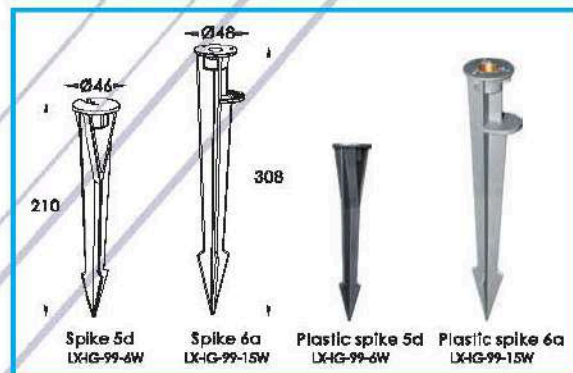
Basic color selection

Powder painting RAL9006	Powder painting PANTONE 432U	Powder painting RAL9005



Material specifications

Housing	12# Die-casting powder coated aluminum . T=60-80µm. Adhesion of ISO class 1/ASTM class 4B
Glass	Tempered glass. T=4mm
Reflector	Optical Reflector efficiency ≥ 90%
Cable gland	IP-68 PG-9 PVC
LED	R3B0126 COB LED 6W / R3B0325 COB LED 5W
Bracket	Powder coated aluminum
Gasket	Tooling shaped seal
Power Cable	H05RN-F 2X1.0mm²L=2.0m(low voltage) H05RN-F 3X1.0mm²L=2.0m(high voltage)

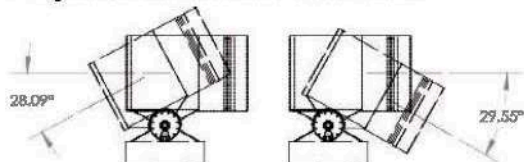


Item	Light source	Lens	Degree	Input voltage	Current	Consumption	Luminance (Lm)	Article
LX-IG-99-6W	1X6W BRIDGELUX COB	R5	25	24VDC 120/240	24V = 270 120V = 106 240V = 60	24V = 6.5 120V = 7.6 240V = 7.6	Cool white=536 Warm white=452	07
LX-IG-99-15W	3X5W SHARP COB	R5	25	24VDC 120/240	120V = 154 240V = 82	120V = 18.5 240V = 18.5	Cool white=1373 Warm white=1230	08

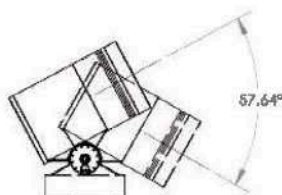


Landscape spot and flood light

Adjustable beam direction



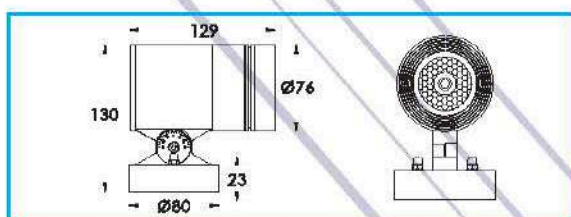
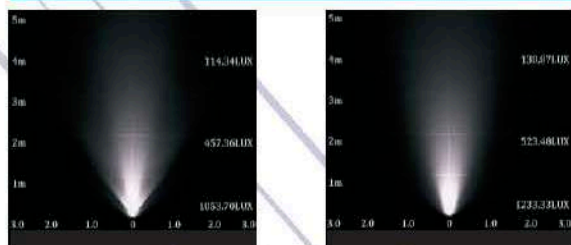
New



LX-IG-100-10W
flood type



LX-IG-100-8W
Spot type



Basic color selection

Powder painting RAL 9006	Powder painting PANTONE 432u	Powder painting RAL9005



Material specifications

Housing	12# Die-casting powder coated aluminum. T=60-80µm. Adhesion of ISO class 1/ASTM class 4B
Glass	Tempered glass. T=4mm
Driver	Constant current output
Lens	Optical lens, efficiency ≥ 85%
Operating temperature	-20°C~40°C
Mounting base	Powder coated die-casting aluminum

Item	Light source	Lens	Degree	Input voltage	Current	Consumption	Lumiance	Ik rate
LX-IG-100-8W	1×8W SHARP COB	B14	30	24VDC 120/240	24V = 411 120V = 88 240V = 50	24V = 9.8 120V = 10.8 240V = 10.8	Cool white=761 Warm white=696	07
LX-IG-100-10W	1×10W CITIZEN COB	R8	24	24VDC 120/240	24V = 480 120V = 107 240V = 60	24V = 11.5 120V = 12.6 240V = 12.6	Cool white=840 Warm white=824	07

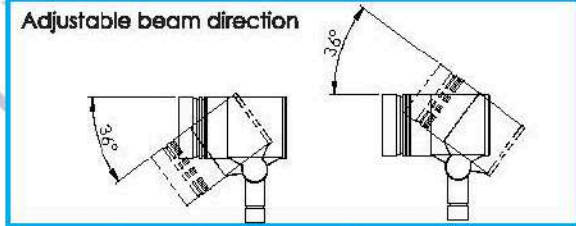




Wall mounting spot light

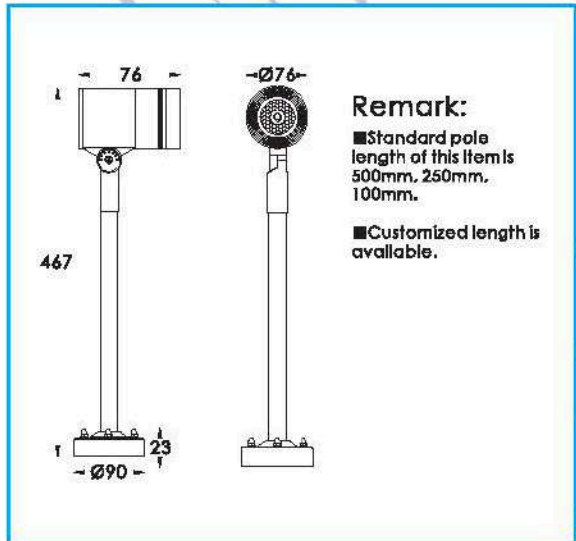


LX-IG-102-10W



Basic color selection

Powder painting RAL 9006	Powder painting PANTONE 432u	Powder painting RAL9005



COB LED

R8

R0115C050XL 15°
R0124C050XL 24°
R0138C050XL 38°
R0160C050XL 60°

Material specifications

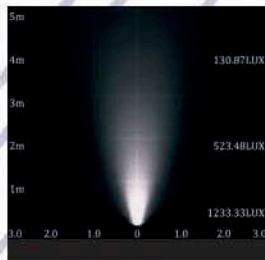
Housing	12# Die-casting powder coated aluminum . T=60-80µm. Adhesion of ISO class 1/ASTM class 4B
Glass	Tempered glass. T=4mm
Driver	Constant current output
Reflector	Optical Reflector efficiency≥85%
Operating temperature	-20°C-40°C
Mounting base	Powder coated die-casting aluminum

Item	Light source	Lens	Degree	Input voltage	Current	Consumption	Luminance	Ik ratio
LX-IG-102-10W	1X10W CITIZEN COB	R8	24	24VDC 120/240	24V = 480 120V = 107 240V = 60	24V = 11.5 120V = 12.6 240V = 12.6	Cool white=840 Warm white=824	07

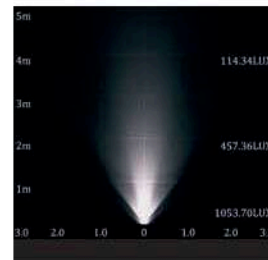




Garden spot and flood light



LX-IG-103-8W
Spot type



LX-IG-103-10W
flood type

Basic color selection

Powder painting RAL 9006	Powder painting PANTONE 432u	Powder painting RAL9005



COB LED



B14

L0130D050KP 30°

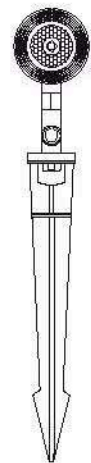
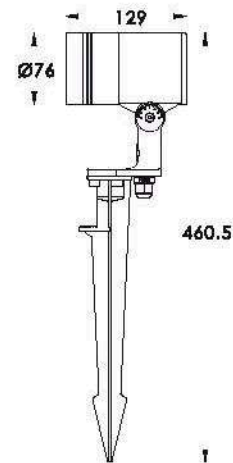


R8

R0115C050XL 15°
R0124C050XL 24°
R0138C050XL 38°
R0160C050XL 60°

Material specifications

Housing	12# Die-casting powder coated aluminum . T=60-80µm. Adhesion of ISO class 1/ASTM class 4B
Glass	Tempered glass. T=4mm
Driver	Constant current output
Reflector	Optical Reflector, efficiency≥85%
Operating temperature	-20°C-40°C
Spike	PVC



Beam



Light source



Lens



Degree



Input voltage



Current



Consumption



Lumens



IC rate

LX-IG-103-8W	1X8W SHARP COB	B14	30	24VDC 120/240	24V = 411 120V = 88 240V = 50	24V = 9.8 120V = 10.5 240V = 10.8	Cool white=761 Warm white=696	07
LX-IG-103-10W	1X10W CITIZEN COB	R8	24	24VDC 120/240	24V = 480 120V = 107 240V = 60	24V = 11.5 120V = 12.6 240V = 12.6	Cool white=840 Warm white=824	07

High luminance output wall light

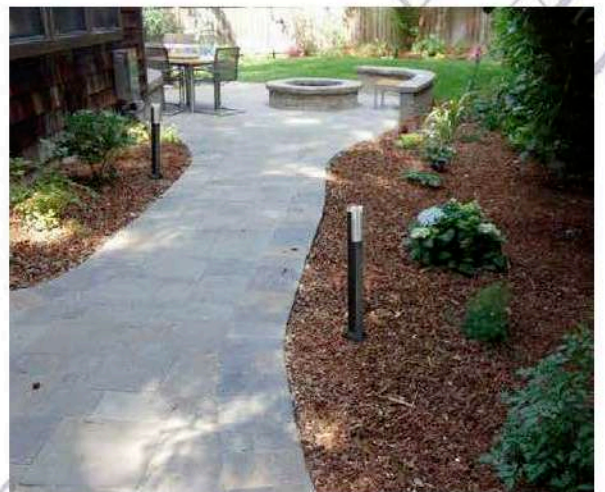


Basic color selection

Powder painting Red	Powder painting PANTONE 432u	Powder painting Black

Material specifications

Housing	12# Die-casting powder coated aluminum . T=60-80µm. Adhesion of ISO class 1/ASTM class 4B
Glass	Tempered glass. T=4mm
Driver	Constant current output
Reflector	Optical Reflector, efficiency≥85%
Operating temperature	-20°C~40°C
Spike	PVC



Item	Light source	Input voltage	Length	Consumption	Luminance	Beam rate
LX-G-1428-3W	3x1 W	AC90-260V	ø92xH800	3	360Lm	06
LX-G-1426-3W	3x1 W	AC90-260V	ø92xH600	3	360Lm	06
LX-G-1446-5W	5x1W	AC90-260V	W120xL100xH800	5	600Lm	06
LX-G-1445-5W	1x5W	AC90-260V	W120xL100xH600	5	600Lm	06
LX-G-1401-3W	1x3W	AC90-260V	W50xW50xH273	3	360Lm	06
LX-G-1403-3W	1x3W	AC90-260V	W50xW50xH600	3	360Lm	06



High luminance output wall light



LX-G-65-2-36W



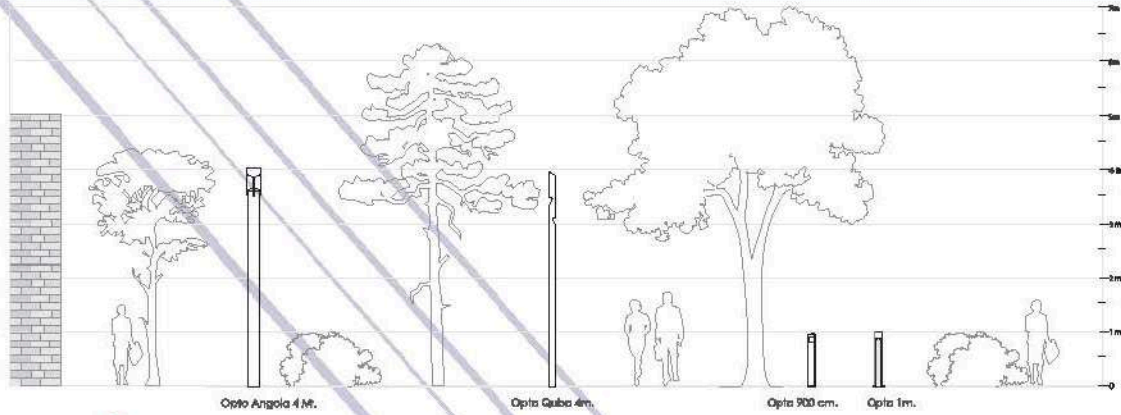
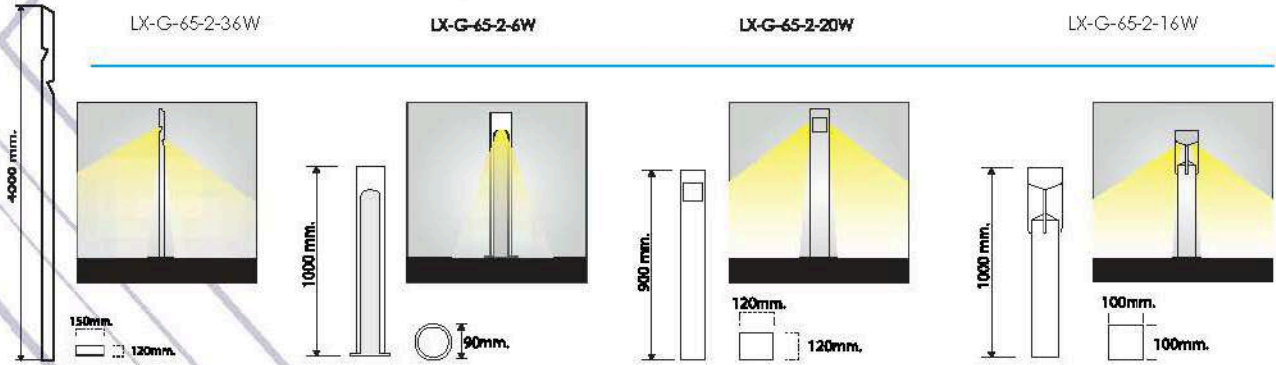
LX-G-65-2-6W



LX-G-65-2-20W



LX-G-65-2-16W



Item	Light source	Input voltage	Consumption	Luminance	IK rate
LX-G-65-2-36W	2x18W	220-240V 50/60Hz	33	4600	6
LX-G-65-2-16W	4x8W	220-240V 50/60Hz	25	3520	6
LX-G-65-2-20W	1x20W COB Led	220-240V 50/60Hz	13	1915	6
LX-G-65-2-6W	3x2W PowerLed	220-240V 50/60Hz	5	660	6









Small type recessed LED Pool light

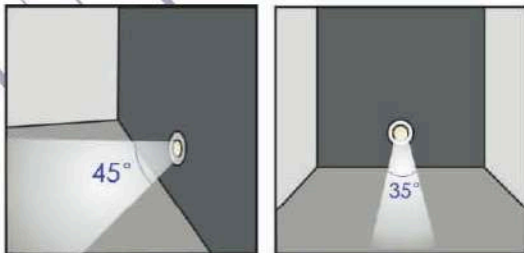
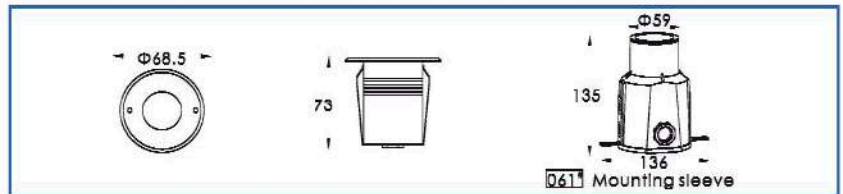
Completely stainless steel SUS 316 housing and accessory



LX-IG-119-3W
LX-IG-119-3W-RGB
Symmetrical



LX-IG-119A-3W
Asymmetrical



Material specifications

Front cover & Housing	Molding shaped stainless steel sus 316 ⁴
Glass	Step tempered glass, T=7mm
Gasket	EPDM gasket
Lens	Optical lens, efficiency ≥85%
PCB	Excellent heat conductivity aluminum, coefficient of heat Conductivity ≥2.0w/mk
Driver	Constant current output Single color LED=1-circuit output RGB 3in1 LED=3-circuit output
Power Cable	H07RN-F 2X1.0mm ² L=3.0m(for Single color) H07RN-F 4X0.75mm ² L=3.0m(for RGB)
Application environment	Temperature of water between -20°C~40°C less than 1 meter depth.
Mounting sleeve	061 PVC

Item	Light source	Lens	Degree	Input voltage	Current	Consumption	Luminance (Lm)	Ik rate
LX-IG-119-3W	1X3W	B32	30	24VDC	110	2.6	Cool white=174 Warm white=139	06
LX-IG-119-3W-RGB	1X3W RGB 3in1 Full color	B8	25	24VDC	R = 38 G = 53 B = 54	3.5	56	06
LX-IG-119A-3W	1X3W	C8	45 35	24VDC	110	2.6	Cool white=143 Warm white=115	06





Wall Recessed LED Pool Light

Completely stainless steel SUS 316 L housing and accessory

Gasket Stamping

Gasket Stamping

LX-IG-33-2-6W

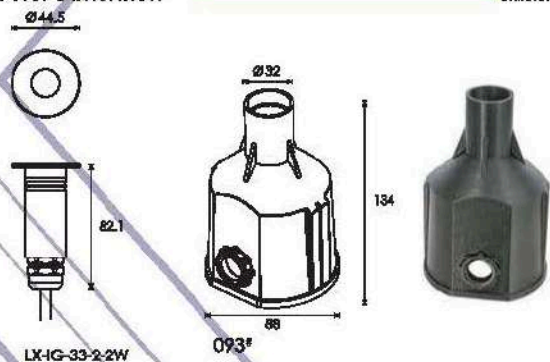
LX-IG-33-2-6W-RGB



LX-IG-33-2-2W

Outer Dimension

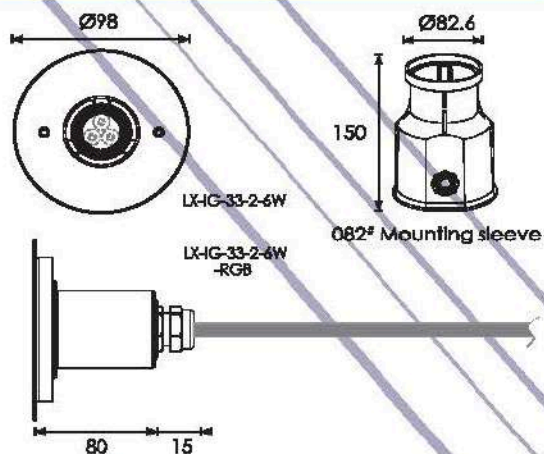
Unit:mm



LX-IG-33-2-2W

Material specifications

Front cover&Housing	Hard chromeplated molding shaped SUS 316L# stainless steel housing
Gasket	EPDM gasket
Glass	Step tempered glass, T=8mm
Lens	All-in-one optical lens, efficiency>85%
Cable gland	IP-68 PG-11 copper with nickel-coated
PCB	Excellent heat conductivity aluminum, coefficient of heat conductivity$2.0w/mk$
Driver	Constant current output Single color LED=1-circuit output RGB 3in1 LED=3-circuit output
Application environment	Temperature of water between -20°C~40°C less than 1 meter depth.
Power cable	H07RN-F 2X1.0mm L=3m (for single color) H05RN-F 4X0.75mm L=3m (for RGB)

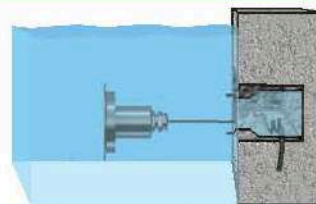


LX-IG-33-2-6W

LX-IG-33-2-6W-RGB

Water must be allowed to go inside and outside sleeve freely without leaking from the other side.

warning
Must be installed under the water to prevent the light from burning up because of over-heating.



Lens

L0330D023LK 30°	L0130F038KT 30°	L0130D016LK 30°

Item	Light source	Lens	Degree	Input voltage	Power Current	Consumption	Lumiance	IC rate
------	--------------	------	--------	---------------	---------------	-------------	----------	---------

LX-IG-33-2-2W	1×2W Single color	B15	30°	24V DC2	87	.0	Cool white =102 Warm white = 94	.07
LX-IG-33-2-6W	3×2W Single color	A8	30°	24V DC	245	5.9	Cool white =466 Warm white =383	.07
LX-IG-33-2-6W-RGB	3×2W 1R/1G/1B	A23	30°	24V DC	234	5.6	180	.07





Completely stainless steel SUS 316L housing and accessory



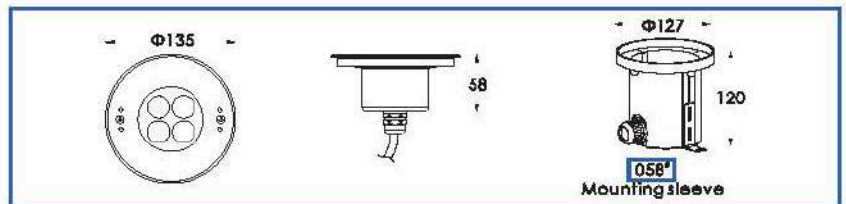
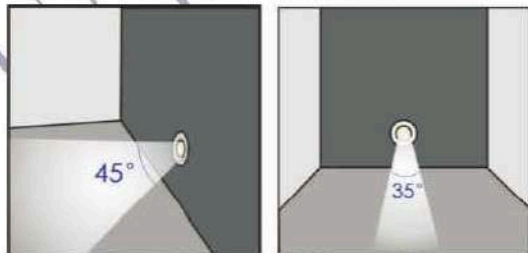
LX-IG-121-8W
LX-IG-121-8W-RGB
Symmetrical



LX-IG-121A-8W
Asymmetrical



Impression drawing of LX-IG-121A-8W

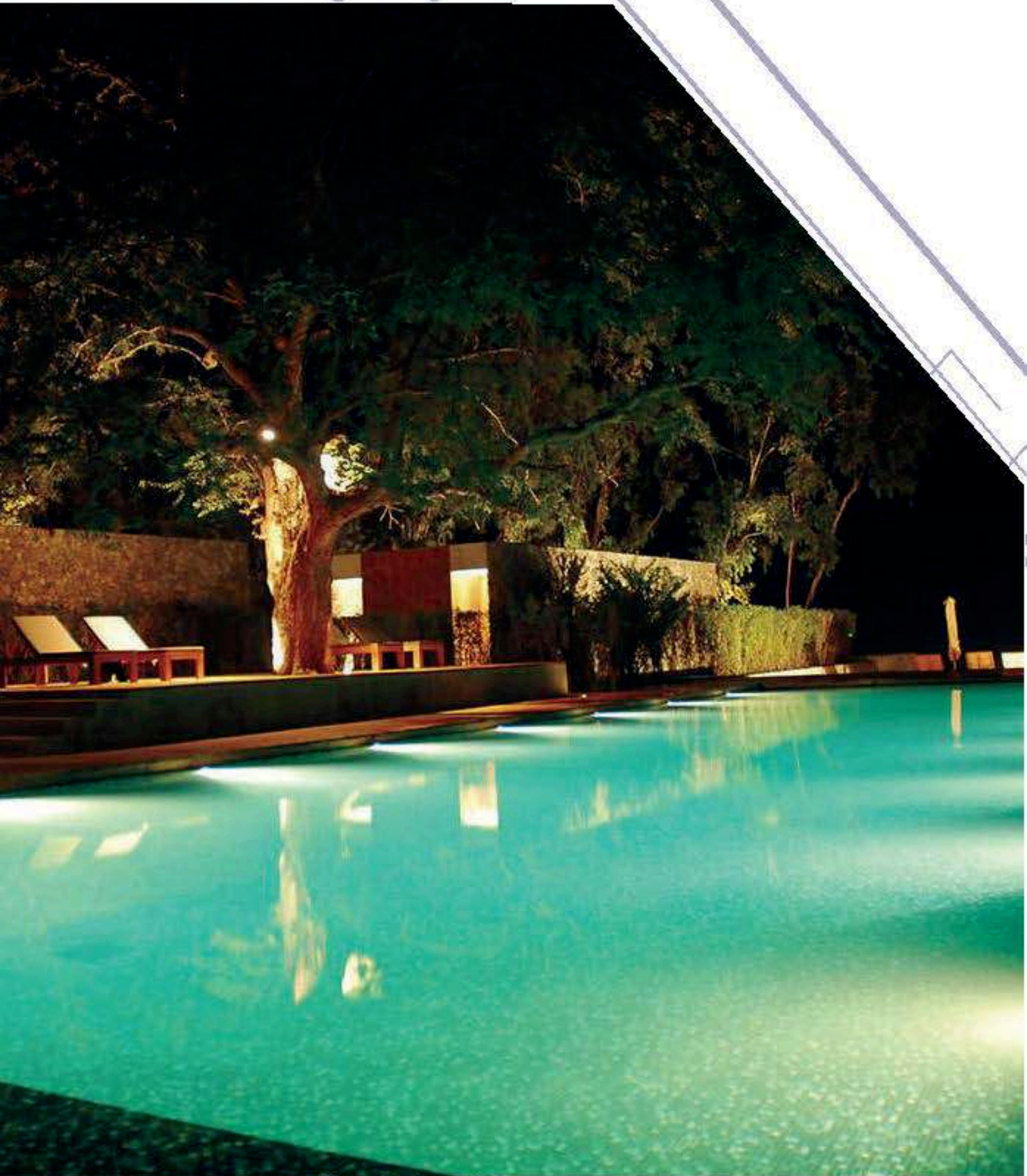


Material specifications

Front cover & Housing	Molding shaped stainless steel sus 316L*
Glass	Step tempered glass. T=8mm
Gasket	EPDM gasket
Cable gland	IP-68 PG-11 copper with nickel-coated
PCB	Excellent heat conductivity aluminum, coefficient of heat Conductivity ≥ 2.0w/mk
Driver	Constant current output Single color LED=1-circuit output RGB 3in1 LED=3-circuit output
Power Cable	H07RN-F 2X1.0mm ² L=3.0m(for Single color) H07RN-F 4X1.0mm ² L=3.0m(for RGB)
Application environment	Temperature of water between -20°C~40°C less than 1 meter depth.
Mounting sleeve	058 PVC



Item	Light source	Lens	Degree	Input voltage	Current	Consumption	Lumina	IC rate
LX-IG-121-8W	4X2W	B32	30	24VDC	371	8.9	Cool white=595 Warm white=500	08
LX-IG-121-8W-RGB	4X2W RGB 3in1 Full color	B8	25	24VDC	R = 200 G = 215 B = 215	15	162	08
LX-IG-121A-8W	4X2W	C8	45 35	24VDC	371	8.9	Cool white=619 Warm white=479	08





Wall recessed LED Pool light

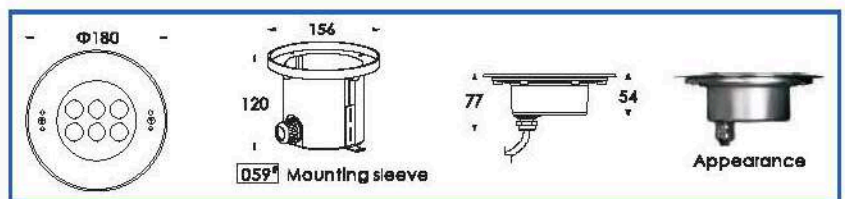
Completely stainless steel SUS 316L housing and accessory



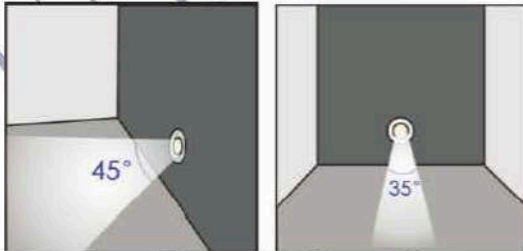
LX-IG-123-12W
LX-IG-123-12W-RGB
Symmetrical



LX-IG-123A-12W
Asymmetrical



Impression drawing of LX-IG-123A-12W



Warning:
Must be installed under the water to prevent the light from burning up because of over-heating.

Material specifications

Front cover & Housing	Molding shaped stainless steel sus 316L°
Glass	Step tempered glass, T=9mm
Gasket	EPDM gasket
Lens	Optical lens, efficiency $\geq 85\%$
PCB	Excellent heat conductivity aluminum, coefficient of heat Conductivity $\geq 2.0w/mk$
Driver	Constant current output Single color LED=1-circuit output RGB 3in1 LED=3-circuit output
Power Cable	HD7RN-F 2X1.0mm ² L=3.0m(for Single color) HD7RN-F 4X1.0mm ² L=3.0m(for RGB)
Application environment	Temperature of water between -20°C~40°C less than 1 meter depth.
Mounting sleeve	G59 PVC



Item	Light source	Lens	Degree	Input voltage	Power Current	Consumption	Lumiance (Lm)	Beam ratio
LX-IG-123-12W	6X2W	B32	30	24VDC	700	16.8	Cool white=1234 Warm white= 906	08
LX-IG-123-12W-RGB	6X2W RGB 3in1 Full color	B8	25	24VDC	R = 300 G = 350 B = 350	24	420	08
LX-IG-123A-12W	6X2W	C8	45 35	24VDC	700	16.8	Cool white=759 Warm white=772	08





Wall recessed LED Pool light

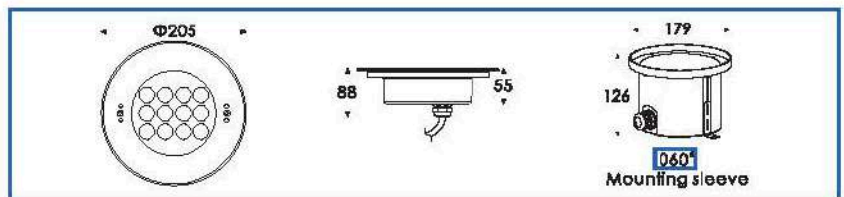
Completely stainless steel SUS 316L housing and accessory



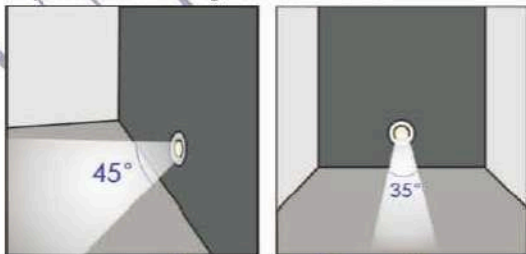
LX-IG-125-24W
LX-IG-125-24W-RGB
Symmetrical



LX-IG-125A-24W
Asymmetrical



Impression drawing of LX-IG-125-24W



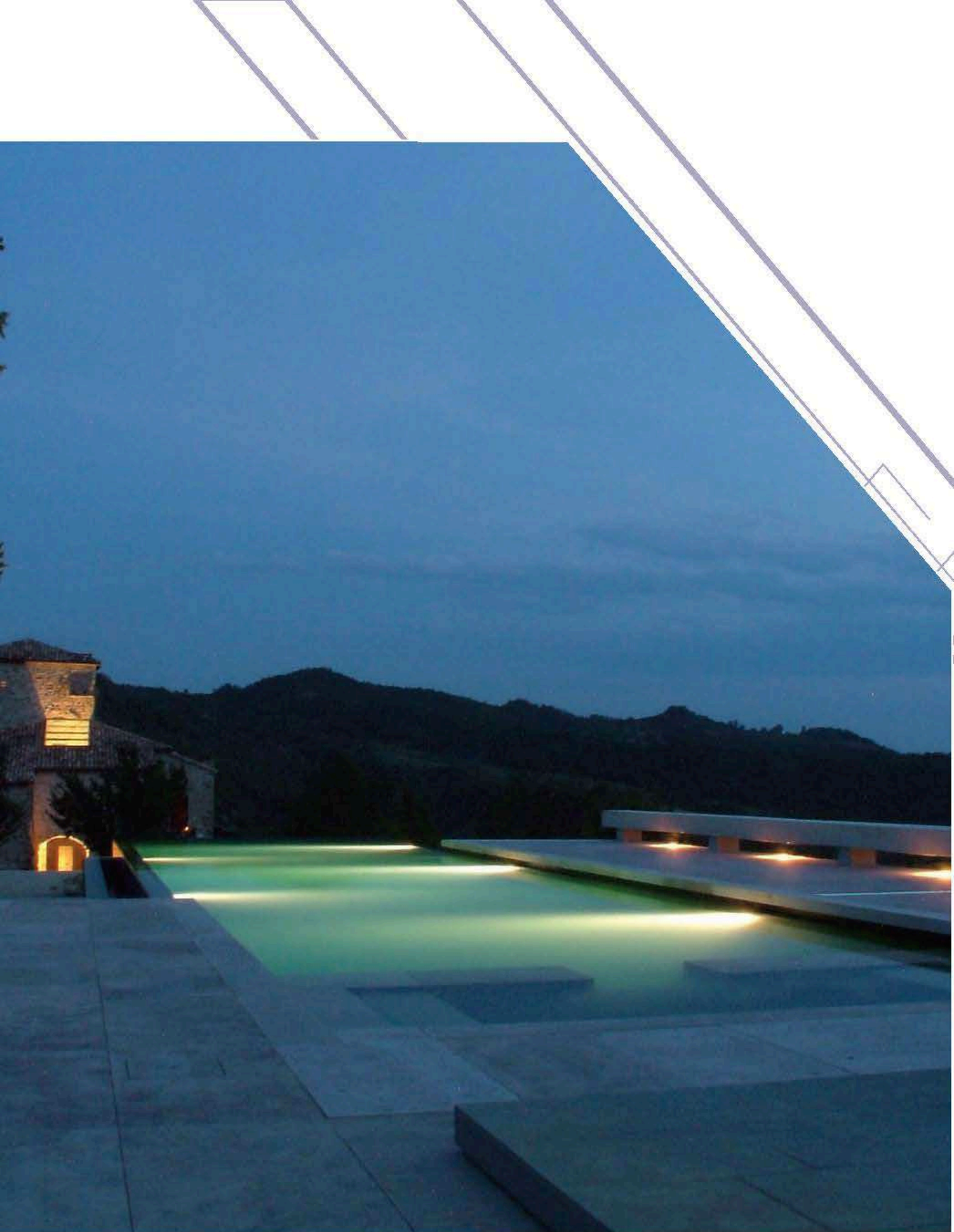
Warning:
Must be installed under the water to prevent the light from burning up because of over-heating.

Material specifications

Front cover & Housing	Molding shaped stainless steel sus 316L ⁴
Glass	Step tempered glass, T=10mm
Gasket	EPDM gasket
Lens	All-in-one optical lens, efficiency≥85%
PCB	Excellent heat conductivity aluminum, coefficient of heat Conductivity≥2.0w/mk
Driver	Constant current output Single color LED=1-circuit output RGB 3in1 LED=3-circuit output
Power Cable	H07RN-F 2X1.0mm ² L=3.0m(for Single color) H07RN-F 4X1.0mm ² L=3.0m(for RGB)
Application environment	Temperature of water between -20°C~40°C less than 1 meter depth.
Cable gland	IP-68 PG-11 copper with nickel-coated



Item	Light source	Lens	Degree	Input voltage	Current	Consumption	Lumiance (Lm)	Ik rate
LX-IG-125-24W	12X2W Single color	B32	30	24VDC	1200	28.8	Cool white=2067 Warm white=1610	08
LX-IG-125-24W-RGB	12X2W RGB 3in1 Full color	B8	25	24VDC	R = 400 G = 500 B = 500	33.6	726	08
LX-IG-125A-24W	12X2W Single color	C8	45 35	24VDC	1200	28.8	Cool white=1395 Warm white=1181	08





Wall recessed LED Pool light

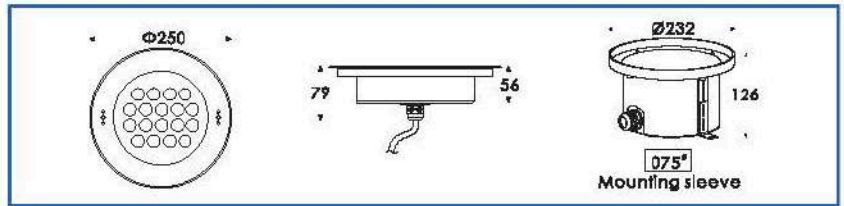
Completely stainless steel SUS 316L housing and accessory



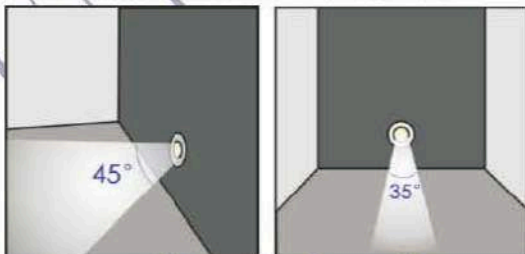
LX-IG-114-36W
LX-IG-114-36W-RGB
Symmetrical



LX-IG-114A-36W
Asymmetrical



Impression drawing of lens LX-IG-114A-36W



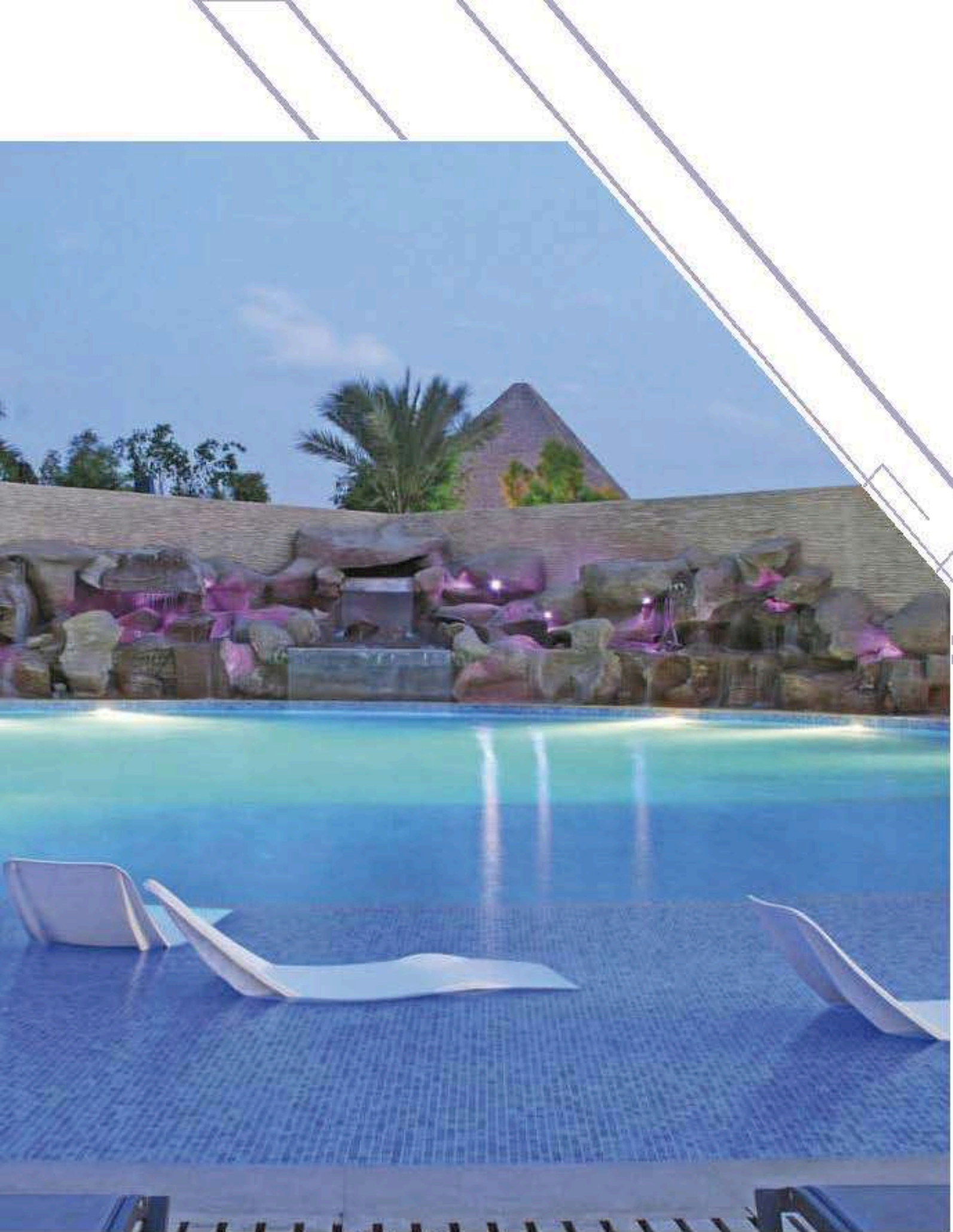
Warning:

Must be installed under the water to prevent the light from burning up because of over-heating.

Material specifications

Front cover & Housing	Molding shaped stainless steel sus 316L ^a
Glass	Step tempered glass, T=10mm
Gasket	EPDM gasket
Lens	Optical lens, efficiency \geq 85%
Glass pressure capacity	Full area=5012kgs
Cable gland	IP-68 PG-11 copper with nickel-coated
PCB	Excellent heat conductivity aluminum, coefficient of heat Conductivity \geq 2.0w/mk
Driver	Constant current output Single color LED=1-circuit output RGB 3in1 LED=3-circuit output
Power Cable	H07RN-F 2X1.0mm ² L=3.0m(for Single color) H07RN-F 4X1.0mm ² L=3.0m(for RGB)
Application environment	Temperature of water between -20°C~40°C less than 1 meter depth.
Mounting sleeve	075 PVC

Item	Light source	Lens	Degree	Input voltage	Current	Consumption	Luminance	Life rate
LX-IG-114-36W	18X2W	B32	30	24VDC	1900	45.6	Cool white=2905 Warm white=2298	10
LX-IG-114-36W-RGB	18X2W RGB 3in1 Full color	B8	25	24VDC	R = 630 G = 770 B = 770	52	990	10
LX-IG-114A-36W	18X2W	C8	45 35	24VDC	1900	45.6	Cool white=2905 Warm white=2122	10





Wall recessed LED Pool light

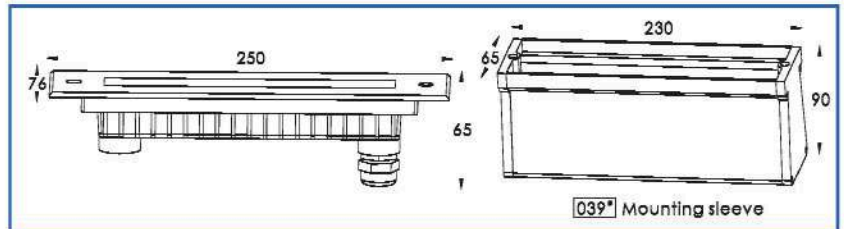
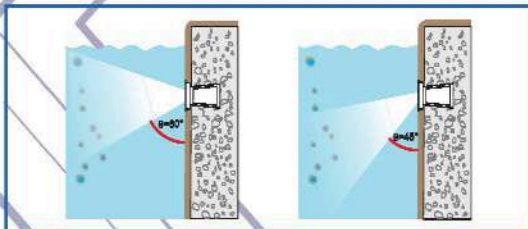
Completely stainless steel SUS 316 and 316L housing and accessory



LX-IG-127A-12W
Asymmetrical



LX-IG-127-12W
LX-IG-127-12W-RGB
Symmetrical



Warning:
Must be installed under the water to prevent the light from burning up because of over-heating.

Material specifications

Housing	Molding shaped stainless steel sus 316*
Front plate	Stainless steel sus 316L*
Glass	Step tempered glass. T=9mm
Gasket	EPDM gasket
Lens	Asymmetrical optical lens, efficiency ≥85%
Cable gland	IP-68 PG-11 copper with nickel-coated
PCB	Excellent heat conductivity aluminum, coefficient of heat conductivity ≥2.0w/mk
Driver	Constant current output Single color LED=1-circuit output RGB 3in1 LED=3-circuit output
Power Cable	H07RN-F 2X1.0mm ² L=3.0m(for Single color) H07RN-F 4X1.0mm ² L=3.0m(for RGB)
Application environment	Temperature of water between -20°C~40°C less than 1 meter depth.
Mounting sleeve	039 PVC



Item	Light source	Lens	Degree	Input voltage	Current	Consumption	Luminance (Lm)	Ik rate (IK)
LX-IG-127-12W	6X2W	B2	30	24VDC	491	11.8	Cool white=605 Warm white=520	08
LX-IG-127-12W-RGB	6X2W RGB 3in1 Full color	B2	30	24VDC	R = 120 G = 250 B = 250	14.9	288	08
LX-IG-127A-12W	6X2W	C3	50 35	24VDC	491	11.8	Cool white=610 Warm white=525	08





Central ejective fountain light

Completely stainless steel SUS 316L housing and accessory



LX-IG-129-24W
LX-IG-129-36W-RGB
Dryland fountain light



LX-IG-130-24W
LX-IG-130-36W-RGB
Pool fountain light



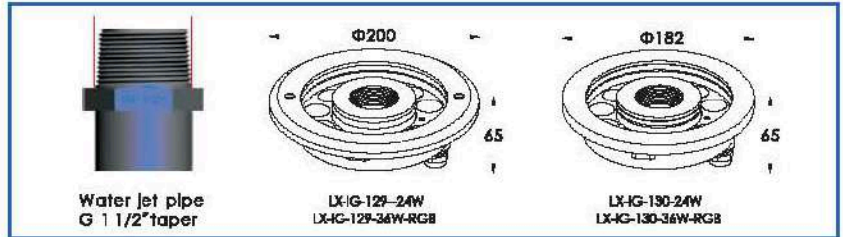
B8

L0125D023KP 25°



B32

L0120F024PS 20°
L0130F024PS 30°
L0145F024PS 45°



We use the Silicone with good stickness and thermal effect for reaching the purpose of radiating and prevent moisture.

Material specifications

Housing	Molding shaped stainless steel sus 316°
Glass	Step tempered glass. T=10mm
Gasket	EPDM gasket
Cable gland	IP-68 PG-11 copper with nickel-coated
PCB	Excellent heat conductivity aluminum, coefficient of heat Conductivity ≥ 2.0w/mk
Driver	Constant current output Single color LED=1-circuit output RGB 3in1 LED=3-circuit output
Power Cable	H07RN-F 2X1.0mm ² L=3.0m(for single color) H07RN-F 4X1.0mm ² L=3.0m(for RGB)
Application environment	Temperature of water between -20°C-40°C less than 1 meter depth.

Item	Light source	Lens	Degree	Input voltage	Current	Consumption	Luminance (Lm)	Ik rate
LX-IG-129-24W	12X2W	B32	25	24VDC	1200	28.8	Cool white=2067 Warm white=1610	09
LX-IG-129-36W-RGB	12X3W RGB 3in1 Full color	B8	25	24VDC	R = 400 G = 500 B = 500	33.6	726	09
LX-IG-130-24W	12X2W	B32	25	24VDC	1200	28.8	Cool white=2067 Warm white=1610	09
LX-IG-130-36W-RGB	12X3W RGB 3in1 Full color	B8	25	24VDC	R = 400 G = 500 B = 500	33.6	726	09



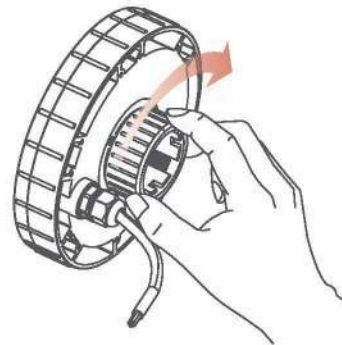


Central Ejective Fountain Light



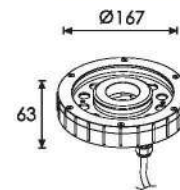
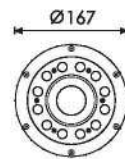
LX-IG-32-2-12W

LX-IG-32-2-18W



Outer Dimension

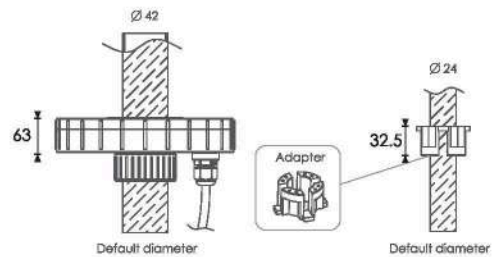
Unit:mm



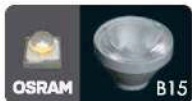
Material specifications

Front cover & Housing	Made by High thermal Nylon
Gasket	Step tempered glass, T=8mm
Glass	All-in-one optical lens, efficiency≥85%
Lens	IP-68 PG-11 copper with nickel-coated
Cable gland	Excellent heat conductivity aluminum, coefficient of heat conductivity≥2.0w/mk
PCB	heat conductivity≥2.0w/mk
Driver	Constant current output Single color LED=1-circuit output RGB 3in1 LED=3-circuit output
Application environment	Temperature of water between -20°C~40°C less than 1 meter depth.
Power cable	H05RN-F 2X1.0mm L=3m (for Single color) H05RN-F 4X0.75mm L=3m (for RGB)

Specification



Lens



L0120D016LK 20°



L0125D020ME 25°



The converter of Sprinkler pipe diameter



Item	Light source	Lens	Degree	Input voltage	AMPs Current	Consumption	Lumiance	Ik rate
LX-IG-32-2-12W	12×1W	B15	20°	24V DC1	360	40	Cool white=1390 Warm white=1226	7
LX-IG-32-2-18W	12×1.5W RGB 3IN1 Full color	B24	25°	24V DC1	R=250 G=250 B=250	80	340	7





Wall mounting underwater light

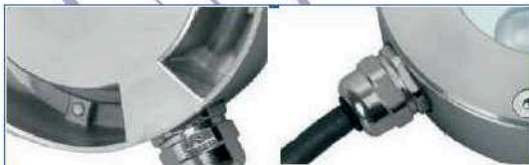
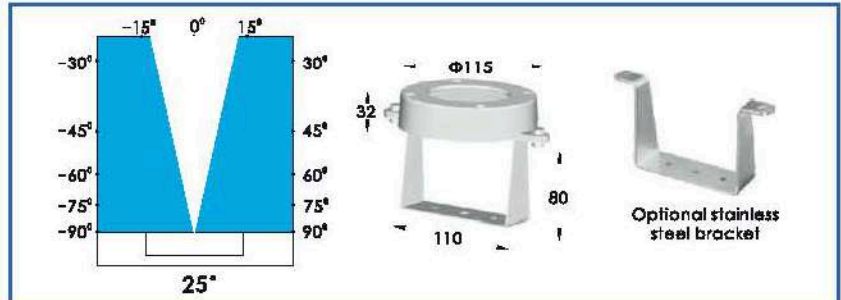
Completely stainless steel SUS 316 and 316L housing and accessory



LX-IG-133-12W
LX-IG-133-12W-RGB



L0125D023KP 25°



Efficient heat-sink

IP-68 cable gland



We use the Silicone with good stickiness and thermal effect for reaching the purpose of radiating and prevent moisture.

Material specifications

Housing	Stainless steel housing sus 316*
Front cover	Stainless steel sus 316L*
Glass	Step tempered glass, T=8mm
Waterproof seal	EPDM gasket
Lens	Separate optical lens efficiency≥85%
Cable gland	IP-68 PG-11 copper with nickel-coated
PCB	Excellent heat conductivity aluminum, coefficient of heat ConductMty≥2.0w/mk
Driver	Constant current output Single color LED=1-circuit output RGB 3in1 LED=3-circuit output
Power Cable	H07RN-F 2X1.0mm ² L=3.0m(for Single color) H07RN-F 4X1.0mm ² L=3.0m(for RGB)
Application environment	Temperature of water between -20°C~40°C less than 1 meter depth.

Item	Light source (W)	Lens	Degree	Input voltage	ABS Current	Consumption (W)	Lumiance (Lm)	IK rate
LX-IG-133-12W	6×2W Single color	B8	25°	24VDC	542	13.0	Cool white=605 Warm white=520	08
LX-IG-133-12W-RGB	6×2W RGB 3in1 Full color	B8	25°	24VDC	R = 200 G = 250 B = 250	16.8	428	08

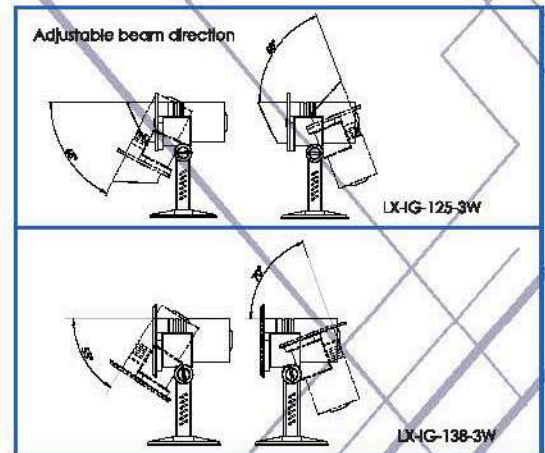
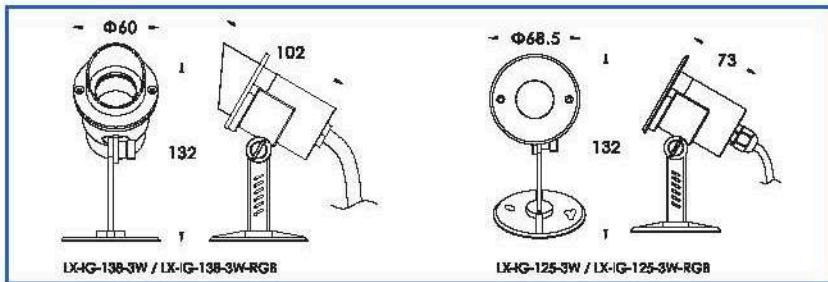
Small type - underwater LED spot light
 Completely stainless steel housing and accessory



LX-IG-138-3W
LX-IG-138-3W-RGB

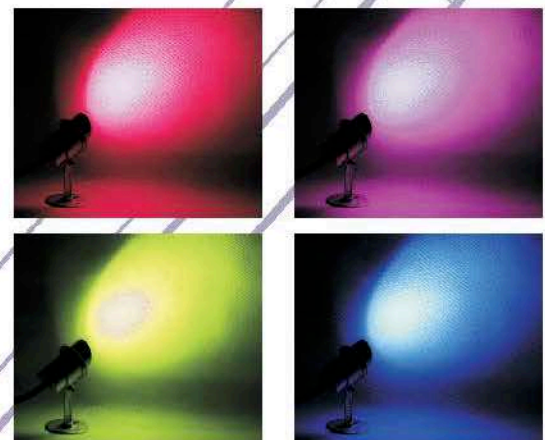


LX-IG-125-3W
LX-IG-125-3W-RGB



Material specifications

Front cover&Housing	Molding shaped stainless steel sus 316'
Bracket	Stainless steel sus 316'
Glass	Step tempered glass, T=7mm
Lens	Optical lens, efficiency≥85%
Cable gland	IP-68 M16a copper with nickel-coated
PCB	Excellent heat conductivity aluminum, coefficient of heat Conductivity≥2.0w/mk
Driver	Constant current output Single color LED=1-circuit output RGB 3in1 LED=3-circuit output
Power Cable	H07RN-F 2X1.0mm ² L=3.0m(for Single color) H07RN-F 4X0.75mm ² L=3.0m(for RGB)
Application environment	Temperature of water between -20°C-40°C less than 1 meter depth.



Item	Light source	Lens	Degree	Input voltage	Current	Consumption	Luminaence (Lm)	Ik rate
LX-IG-138-3W	1×3W	B32	30	24VDC	110	2.6	Cool white=174 Warm white=139	06
LX-IG-138-3W-RGB	1×3W RGB 3in1 Full color	B8	25	24VDC	R = 38 G = 53 B = 54	3.5	56	06
LX-IG-125-3W	1×3W	B32	20	24VDC	110	2.6	Cool white=174 Warm white=139	06
LX-IG-125-3W-RGB	1×3W RGB 3in1 Full color	B8	25	24VDC	R = 38 G = 53 B = 54	3.5	R = 17 G = 30 B = 9	06



Underwater LED spot light

Completely stainless steel housing and accessory



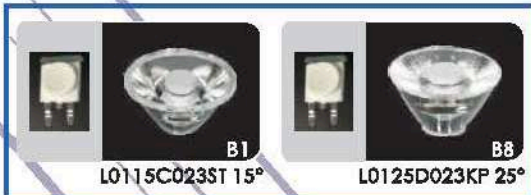
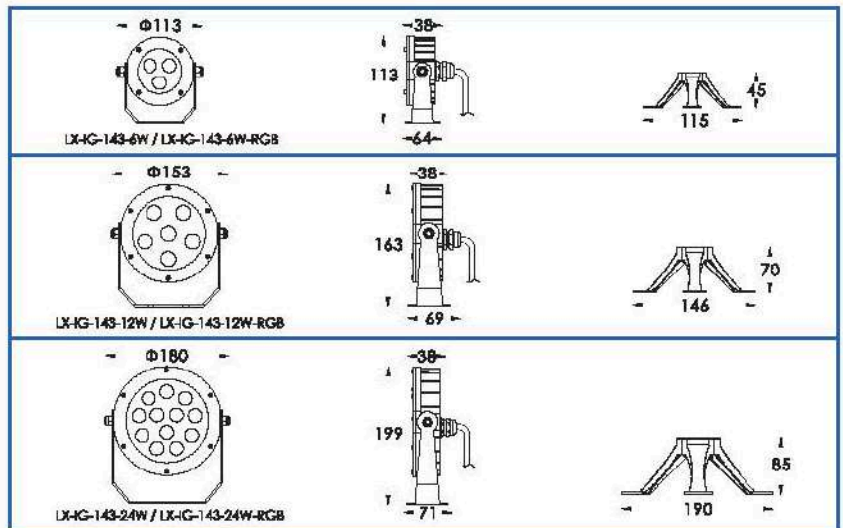
LX-IG-143-6W
 LX-IG-143-6W-RGB



LX-IG-143-12W
 LX-IG-143-12W-RGB



LX-IG-143-24W
 LX-IG-143-24W-RGB



Material specifications

Housing	Molding shaped sus 316 ^l stainless steel housing
Bracket	Stainless steel sus 316 ^l
Glass	Step tempered glass, T=5mm
Front cover	Stainless steel sus 316 ^l
Lens	Optical lens, efficiency $\geq 85\%$
LED	IQ type power LED
Cable gland	IP-68 PG-11 copper with nickel-coated
PCB	Excellent heat conductivity aluminum, coefficient of heat Conductivity $\geq 2.0w/mk$
Seal	Molding shaped silicon seal under the front cover Silicon glue among LED, lens and PCB
Power Cable	H07RN-F 2X1.0mm ² L=2.0m(for Single color) H07RN-F 4X1.0mm ² L=2.0m(for RGB)
Application environment	Temperature of water between -20°C-40°C less than 1 meter depth.

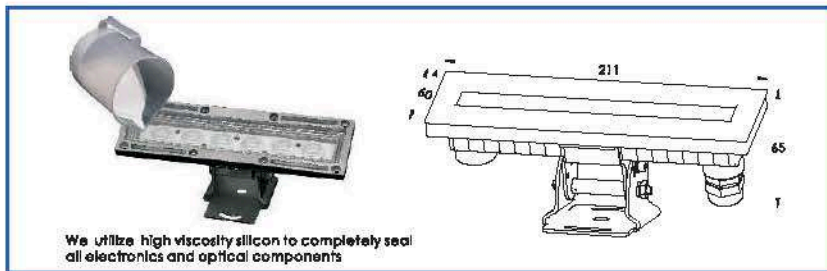
Item	Light source	Lens	Degree	Input Voltage	Current	Consumption	Luminance	Life rate
LX-IG-143-6W	3x2W	B1	15	24VDC	240	5.80	Cool white=321 Warm white=274	06
LX-IG-143-6W-RGB	3x2W RGB 3in1 Full color	B8	25	24VDC	R = 70 G = 124 B = 124	7.70	147	06
LX-IG-143-12W	6x2W	B1	15	24VDC	600	14.4	Cool white=745 Warm white=576	06
LX-IG-143-12W-RGB	6x2W RGB 3in1 Full color	B8	25	24VDC	R = 200 G = 260 B = 260	17.3	300	06
LX-IG-143-24W	12x2W	B1	15	24VDC	1000	24.0	Cool white= 950 Warm white=1219	06
LX-IG-143-24W-RGB	12x2W RGB 3in1 Full color	B8	25	24VDC	R = 400 G = 500 B = 500	33.6	600	06

Underwater LED spot light

Completely stainless steel housing and accessory



LX-IG-146-12W
LX-IG-146-12W-RGB



We utilize high viscosity silicon to completely seal all electronics and optical components



Back View

Stainless steel bracket & angle adjustable

Adjustable angle 3

Material specifications

Housing	Molding shaped sus 316 ^s stainless steel
Front cover	Stainless steel sus 316L ^s
Glass	Step tempered glass, T=5mm
Bracket	Molding shaped sus 316 ^s stainless steel
Lens	Optical lens, efficiency ≥ 85%
LED	IQ type power LED
Cable gland	IP-68 PG-11 copper with nickel-coated
PCB	Excellent heat conductivity aluminum, coefficient of heat Conductivity ≥ 2.0w/mk
Seal	Molding shaped silicon seal under the front cover Silicon glue among LED, lens and PCB
Power Cable	H07RN-F 2X1.0mm ² L=3.0m(for single color) H07RN-F 4X1.0mm ² L=3.0m(for RGB)
Application environment	Temperature of water between -20°C~40°C less than 1 meter depth.



Item	Light source	Lens	Degree	Input voltage	Current	Consumption	Lumiance (Lm)	Ik rate
LX-IG-146-12W	6X2W	B2	30	24VDC	491	11.8	Cool white=605 Warm white=520	08
LX-IG-146-12W-RGB	6X2W RGB 3in1 Full color	B2	30	24VDC	R = 120 G = 250 B = 250	14.9	288	08

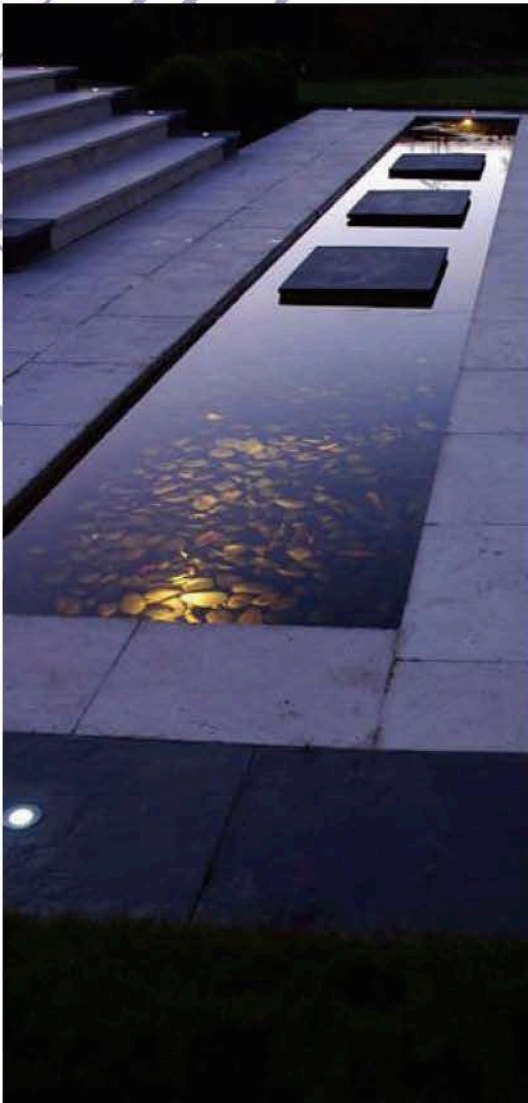


Underwater LED spot light

Completely stainless steel housing and accessory



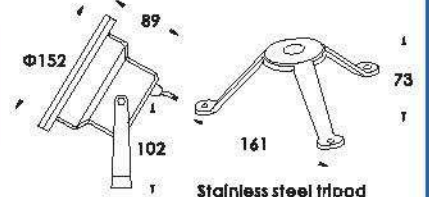
LX-IG-148-12W-RGB



Applicable COB LED Module



R0126C061HM 25°



Stainless steel tripod



The application of gear enables fixture to fit bracket perfectly.

Material specifications

Front cover&Housing	Molding shaped sus 316° stainless steel
Bracket	Molding shaped sus 316° stainless steel
Glass	Clear tempered glass.T=5mm
Reflector	Optical Reflector efficiency≥90%
LED	Multi chip on board LED
Driver	Constant current output
Cable gland	IP-68 PG-11 copper with nickel-coated
PCB	Excellent heat conductivity aluminum, coefficient of heat Conductivity≥2.0w/mk
Power Cable	H07RN-F 2X1.0mm²L=3.0m(for Single color)
Application environment	Temperature of water between -20°C-40°C less than 1 meter depth.



Beam



Light source



Degree



Input voltage



Current



Consumption



Luminescence



IK rate

LX-IG-148-12W
-RGB

3X4W
CITIZEN COB

25

24VDC

640

15.5

Cool white=1162
Warm white=1074

08

Underwater LED Spot Light

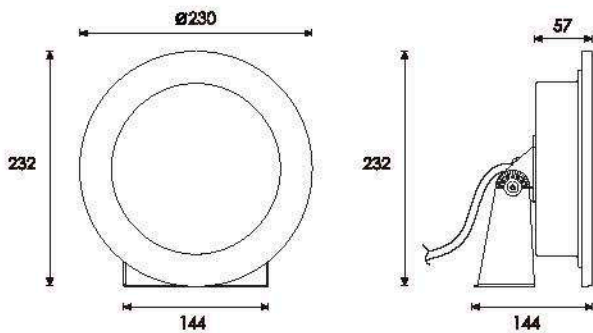


LX-IG-38-2-36W



LX-IG-38-2-43W
RGB

Outer Dimensions Unit:mm



Material specifications

Front cover & Housing	Hard chrome plated molding shaped stainless steel sus 316L#
Glass	Step tempered glass.T=10mm
Gasket	EPDM gasket
Lens	Optical lens,efficiency≥85%
Glass pressure capacity	Full area=5012kgs
Cable gland	IP-68 PG-11 copper with nickel-coated
PCB	Excellent heat conductivity aluminum.coefficient of heat Conductivity≥2.0w/mk
LED Driver	Constant current output Single color LED=1-circuit output RGB 3in1 LED=3-circuit output
Power Cable	H07RN-F 2X1.0mm ² L=3.0m(for single color) H07RN-F 4X1.0mm ² L=3.0m(for RGB)
Application environment	Temperature of water between -20°C~40°C less than 1 meter depth.



Item	Light source	Lens	Degree	Input voltage	Diffusion	Consumption	Luminance	Ik rate
LX-IG-38-2-36W	18×2W	B32	30°	24V DC	1900	45.6	Cool white =2905 Warm white =2298	10
LX-IG-38-2-43W RGB	36×1.2W RGB 3IN 1 12R/12G/12B	B34D	30°	24V DC	2200	53.0	1576	10



Underwater LED spot light

Completely stainless steel housing and accessory



LX-IG-37-2-8W

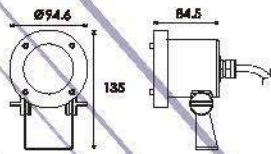


LX-IG-37-2-16W

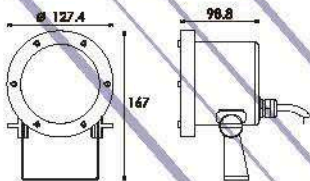


LX-IG-37-2-20W

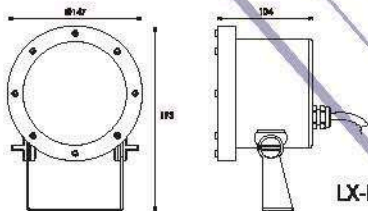
Outer Dimensions Unit:mm



LX-IG-37-2-8W



LX-IG-37-2-16W



LX-IG-37-2-20W

Material specifications

Front cover & Housing	Hard chromeplated molding shaped stainless steel sus 316L [#]
PMMA	13mm
Gasket	EPDM Gasket
Reflector	Optical lens,efficiency≥85%
PCB	Excellent heat conductivity aluminum,coefficient of heat Conductivity≥2.0w/mk
LED Driver	Constant current output Single color LED=1-circuit output RGB 3in1 LED=3-circuit output
Power Cable	H07RN-F 2X1.0mm ² L=3.0m
Application environment	Temperature of water between -20°C~40°C less than 1 meter depth.



Item	Light source	Lens	Degree	Input voltage	Current	Consumption	Luminescence	Beam angle
LX-IG-37-2-8W	1×8W	R5	25°	24V DC	416	10	Cool white =674 Warm white =607	08
LX-IG-37-2-16W	1×16W	R18	22°	24V DC	700	17	Cool white =1344 Warm white =1183	08
LX-IG-37-2-20W	1×20W	R19	22°	24V DC	1000	24	Cool white =1679 Warm white =1478	08

Underwater LED Spot Light

Completely Hard Chromeplated Stainless Steel Housing & Accessory



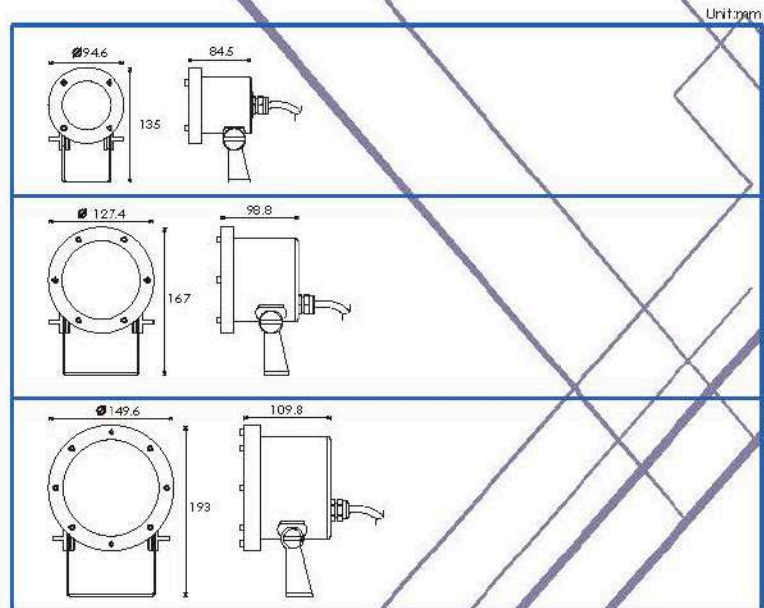
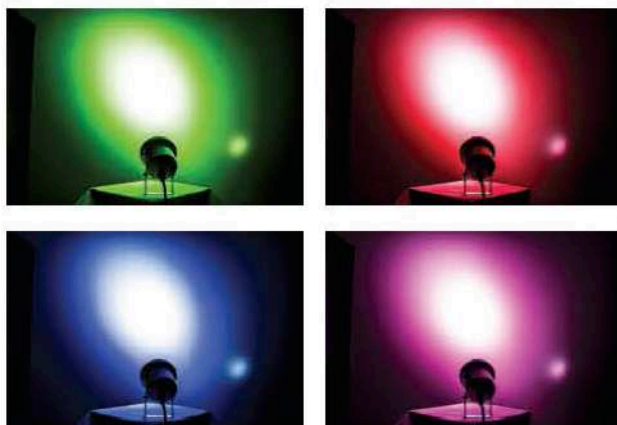
LX-IG-151-36W-RGB



LX-IG-151-18W-RGB



LX-IG-151-6W-RGB



Material specifications

Front cover & Housing	Hard chromeplated molding shaped stainless steel su: 316L*
PMMA	13mm
Gasket	EPDM gasket
LED	Nichia
Cable gland	IP-68 PG-11 copper with nickel-coated
PCB	Excellent heat conductivity aluminum. coefficient of heat Conductivity $\geq 2.0w/mk$
LED Driver	Constant Voltage Input, Constant Current Output
Power Cable	H07RN-F 4X1.0mm ² L=3.0m
Application environment	Temperature of water between -20°C~40°C less than 1 meter depth.



L0130 F023 YH 30°

Item	Light source	Lens	Degree	Input voltage	Current	Consumption	Luminance	lic rate
LX-IG-151-6W-RGB	3×2W	B33D	30°	24V DC	320	7.70	Cool white =760 Warm white =674	08
LX-IG-151-18W-RGB	6×3W	B33D	30°	24V DC	900	21.5	Cool white =1700 Warm white =1503	08
LX-IG-151-36W-RGB	12×3W	B33D	30°	24V DC	1600	38.4	Cool white =3031 Warm white =2668	08



Underwater LED Spot Light

Completely Hard Chromeplated Stainless Steel Housing & Accessory



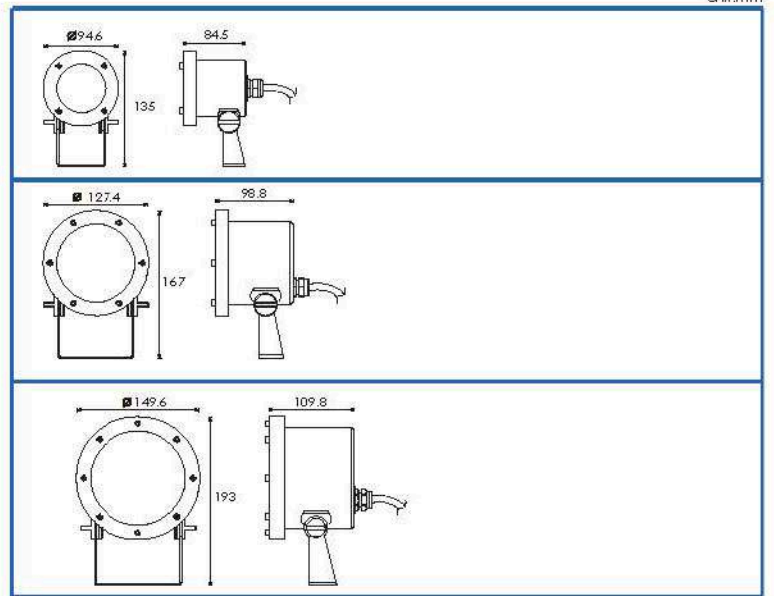
LX-IG-151-6W



LX-IG-151-18W



LX-IG-151-36W



Material specifications

Front cover & Housing	Hard chromeplated molding shaped stainless steel sus.316L*
PMMA	13mm
Gasket	EPDM gasket
LED	Nichia
Cable gland	IP-68 PG-11 copper with nickel-coated
PCB	Excellent heat conductivity aluminum, coefficient of heat Conductivity 2.0w/mk
LED Driver	Constant Voltage Input, Constant Current Output
Power Cable	H07RN-F 2X1.0mm ² L=3.0m
Application environment	Temperature of water between -20°C~40°C less than 1 meter depth.

OSRAM B33D

L0115D023YH 15°
L0120D023YH 20°
L0130D023YH 30°
L0145D023YH 45°

Item	Light source	Lens	Degree	Input voltage	Current	Consumption	Lumiance	Ik rate
LX-IG-151-6W 3×2W	B33D		30°	24V DC	320	7.70	Cool w white =760 Warm white =674	08
LX-IG-151-18W6×3W	B33D		30°	24V DC	900	21.5	Cool w white =1700 Warm white =1503	08
LX-IG-151-36W12×3W	B33D		30°	24V DC	1600	36.4	Cool w white =3031 Warm white =2668	08

1. Individual lens for series B Item



L0130D022MS 30°



L0130D027MS 30°



L0125D023KP 25°



L0135D020ME 35°



L0115C023YH 15°



L0130F023YH 30°

Remark :
Above lens are suitable for **TQ** type LED only.



L0106D023LK 6° L0120D023LK 20°
L0113D023LK 13° L0130D023LK 30°



L0115D016LK 15°
L0120D016LK 20°
L0130D016LK 30°



L0115D020ME 15°
L0130D020ME 30°
L0150F020ME 50°



L0130D024KP 30°



L0108C021YT 8°



L0113D021YT 13°
L0125D021YT 25°
L0130D021YT 30°



L0120F024PS 20°
L0125F024PS 25°
L0130F024PS 30°
L0135F024PS 35°



L0115D023YH 15°
L0120D023YH 20°
L0130D023YH 30°
L0145D023YH 45°



L0109F023YH 9°



L0106C024PS 6°
L0110C024PS 10°

Remark :
Above lens are suitable for **SMD 3535 and SMD 3030** type LED only.



L0125D020ME 25°



L0130D050KP 30°
L0145D050KP 45°



L0115F038KT 15°
L0122F038KT 22°

Remark :
Above lens are suitable for **SMD 5050** type LED only.

Remark :
Above lens are suitable for **COB** type LED only.

Remark :
Above lens is for suitable for **RGBW Module** type LED only.

2. Asymmetrical lens for series C Item



L01 ⁴⁵/₃₅ F024PS



L01 ⁴⁵/₃₅ F023YH



L01 ⁴⁵/₃₅ F019HZ



L01 ⁴⁵/₃₅ F026KP



L01 ⁴⁵/₃₅ D026KP

Remark:
(1) C8, C9, C11 lens are suitable for **SMD3535** type LED only.
(2) The three lens are not exchangeable for the same fitting.



L01 ⁵⁰/₃₅ C026ST



L01 ⁵⁰/₃₅ C020KP



L01 ⁵⁰/₃₅ F023KP

Remark:
(1) C1, C3, C10, lens are suitable for **TQ** type LED only.
(2) The three lens are not exchangeable for the same fitting.



R1

R0124C111RD 24°
R0140C111RD 40°



R2

R0112C085RD 12°
R0124C085RD 24°



R3

R0125C061HM 25°



R4

R0125C045YG 25°



R5

R0118C044XL 18°
R0125C044XL 25°
R0140C044XL 40°



R7

R0118C035XL 18°
R0124C035XL 24°
R0132C035XL 32°



R8

R0115C050XL 15°
R0124C050XL 24°
R0138C050XL 38°
R0180C050XL 80°



R9

R0115C069XL 15°
R0124C069XL 24°
R0138C069XL 38°



R10

R0115C075XL 15°
R0124C075XL 24°
R0138C075XL 38°



R11

R0112C095XL 12°
R0124C095XL 24°


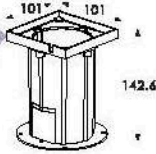

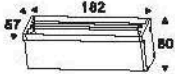

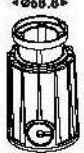







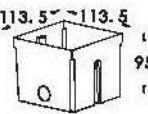

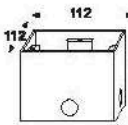



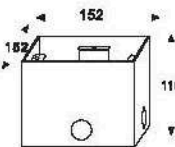







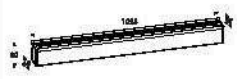




Item No.	Reference picture	Dimensions	Item No.	Reference picture	Dimensions
011			021		
012			022		
013			023		
014			024		
015			025		
016			026		
017			031		
018			032		
019			033		
020			034		

Item No.	Reference picture	Dimensions	Item No.	Reference picture	Dimensions
035			057		
039			058		
041			059		
051			060		
052			061		
053			062		
054			063		
055			064		
056			065		

General list of mounting sleeve

Item No.	Reference picture	Dimensions	Item No.	Reference picture	Dimensions
066			075		
067			076		
068			077		
069			078		
070			081		
071			082		
072			083		
073			084		
074			085		

General list of mounting sleeve

Item No.	Reference picture	Dimensions	Item No.	Reference picture	Dimensions
086			130		
087			131		
088			132		
089			135		
121			136		
122			137		
125			138		
126					
127					

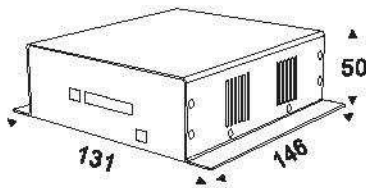
Synchronous color changing control system



Main controller
LXACRL02D3M



Expander
LXACRL02D3E



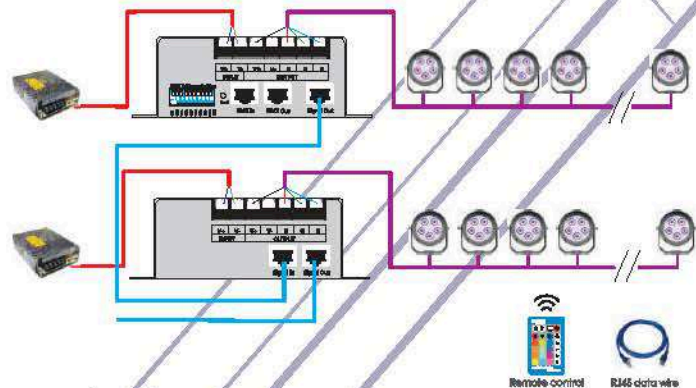
Features

1. Control the synchronous color changing system by IR remote control, available operation distance in 5m.
2. Synchronous color changing control system contains 8 various and 15 stationary color programs (one color one touch)
3. User can self-select the speed, brightness and color by pressing the button on the remote control.
4. Suitable for 4-cord luminaire(+ - - -)
5. Use RJ45 signal wire for signal output to expand the range of the control system.
6. System expanding is not limited by the quantity of fixture.

Specification

Subject	Item no.	CRL02D3M	CRL02D3E
Input voltage		12/24	12/24
Output voltage		12/24	12/24
Max. operating load		180W@12V 360W@24V	180W@12V 360W@24V
Weight(g)		650	640
Aparent dimensions		131x146x50	131x146x50
Output signal type		PWM > 1KHZ.	PWM > 1KHZ.

Wiring diagram for synchronous color changing system



Explanations:

1. Under the synchronous color changing system, use only remote control to operate the system.
2. The available operation distance between main controller and remote control is 5m.
3. Make no connection with the negative pole(-) of the fixture which has only 4 cords (+ R G B).
4. System expanding is not limited by the quantity of fixture.
5. The max. operating loads of CRL02D3M & CRL02D3E are 180W(12V input) and 360W (24V input) respectively.

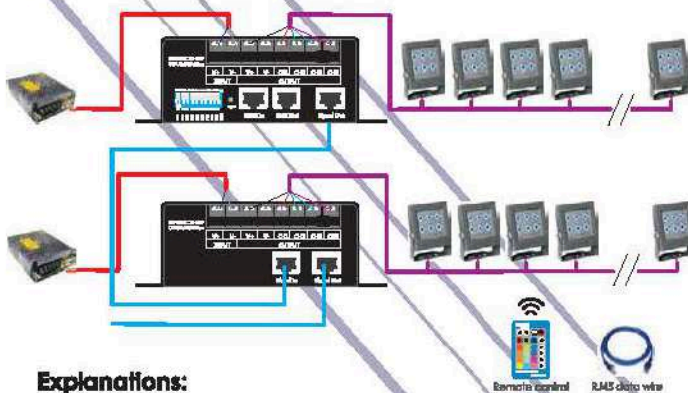
Features

1. Control the synchronous color changing system by IR remote control, available operation distance in 5m.
2. Synchronous color changing control system programs (one color one touch)
3. User can self-select the speed, brightness and color by pressing the button on the remote control.
4. Suitable for 5-cord luminaire (+ - - - -)
5. Use RJ45 signal wire for signal output to expand the range of the control system.
6. System expanding is not limited by the quantity of fixture.

Specification

Subject	Item no.	CRL03D4M	CRL03D4E
Input voltage		12/24	12/24
Output voltage		12/24	12/24
Max. operating load		240W@12V 480W@24V	240W@12V 480W@24V
Weight(g)		650	640
Aparent dimensions		131x146x50	131x146x50
Output signal type		PWM > 1 KHZ.	PWM > 1 KHZ.

Wiring diagram for synchronous color changing system



Explanations:

1. Under the synchronous color changing system, use only remote control to operate the system.
2. The available operation distance between main controller and remote control in 5m.
3. Make no connection with the negative pole (-) of the fixture which has only 5cords (+ R G B W).
4. System expanding is not limited by the quantity of fixture.
5. The max. operating loads of CRL03D4M & CRL03D4E are 240W(12V input) and 480W(24V input) respectively.

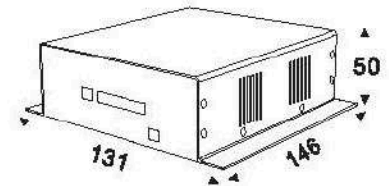
Synchronous color changing control system



Main controller
LXACRL03D4M

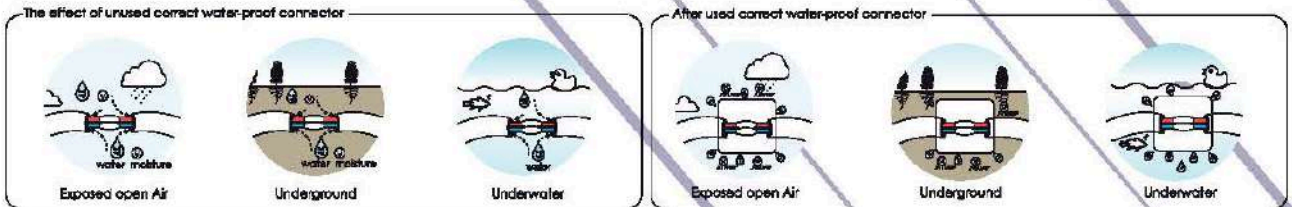


Expander
LXACRL03D4E



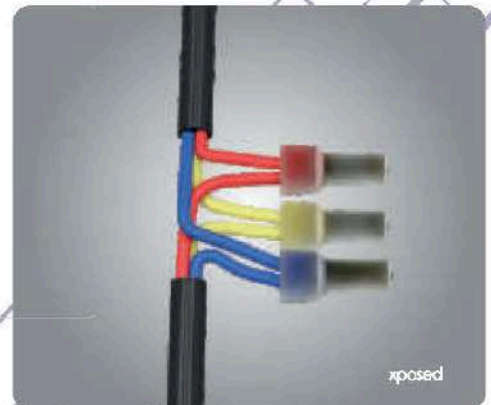
How to dispose the outdoor light connector correctly

Precaution of water prevention and moisture to enter the lamp through power cable IP65 / IP66 IP68, According to the research and test. The water infiltration is one of the biggest damage to the outdoors fixture. The following pictures are those typical circumstances will take place:



Why use the water-proof connector?

When the fixture is turned on, the inside temperature will increase as the operating time goes. Conversely when the lamp stops working, the temperature will slowly drop. This phenomenon will cause "The Siphon effect". Thermal expansion and contraction makes the inside and outside air pressure differences. The vapor will infiltrate to the housing through the wire entry as soon as the internal air pressure is smaller than the external. The infiltration is caused by several incorrect connections like the picture below:



The best and easiest ways to prevent the water filtration are by isolating directly

We recommend using the water-proof connector like the following pictures. The connector was developed especially for outdoors lightings to make sure the fixture is protected.

One input & one output (wire connect inside)



One input & two output (wire connect inside)



One input & two output (quick plug mode)

PG-19212 cable gland connector box

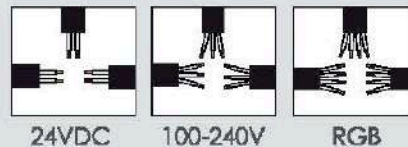
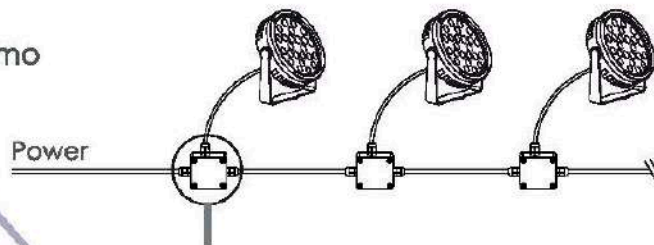
IP65



Specifications

Housing	Flame resistant PC + fiber (Fire Resistance PC Fire Resistance V-0)
Cable gland	Part 1: IP68 PG-9 for connecting luminaire Part 2 & Part 3: IP68 PG-11 for power input and power output to the next connector box Part 2 and port 3 are non-directional
Block terminal	4 pins inside
Waterproof rate	IP-65
Cable outside-dimension	Max 10mm
Outer Dimension	118×84×35mm

Connection Demo



Recommend optional junction box

1. Open-end wire connection as the illustration above.
2. Please choose the appropriate main cable for the total power to be applied.
3. Installers should prepare the main cables and waterproof connectors, or buy from Kapego.
4. Please take reference as fixtures' specs for its working current.

Water-proof
Jiffy quick plug/socket connector & accessories

IP68



Specifications

Materia	Housing fire resistance nylon fire resistance V-0
Pin	copper with silver-coated
Maximum loading current	2pins,3pins,4pins@16A/pin, 5pins,6pins@8A
Voltage	500 (V) (max.)

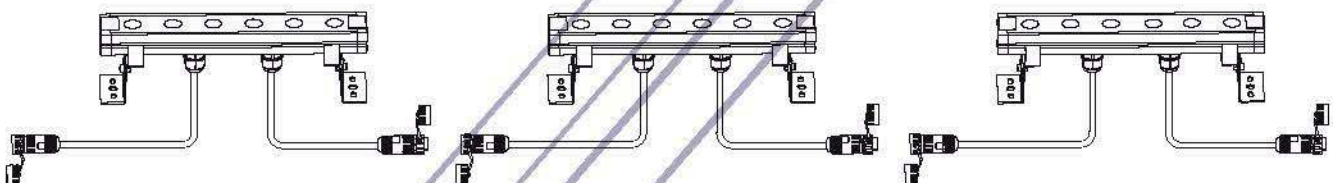
Features Plug

	Front view				
	Item No.	M02L	M03L	M04L	M05L
	Description	2-Pin plug	3-Pin plug	4-Pin plug	5-Pin plug

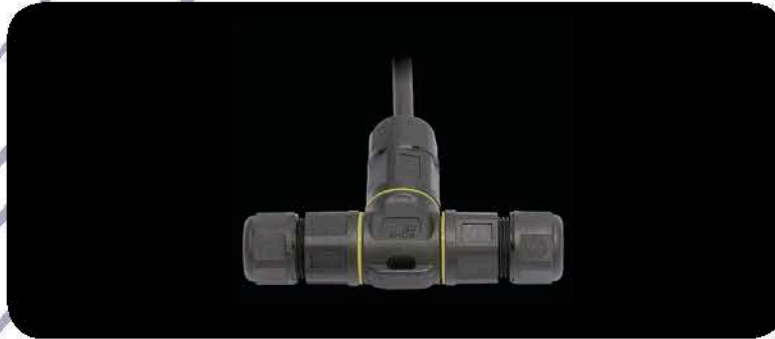
Socket

	Front view				
	Item No.	F02L	F03L	F04L	F05L
	Description	2-Pin socket	3-Pin socket	4-Pin socket	5-Pin socket

Connection demo



Water-proof Jiffy quick plug/socket Sub-unit T type



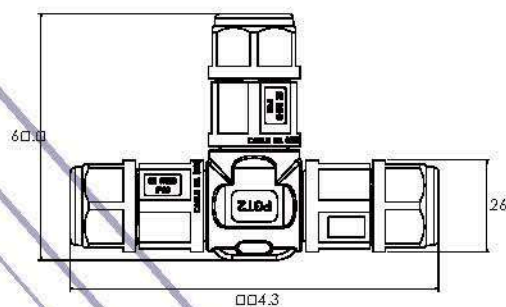
Specifications

IP Rate	67
Housing Material	Water-proof lid before connecting for safty and to protect

Application

Item	To2	To3	To4	To5
Pin number.	2	3	4	5
Suitable Range	Low input-voltage Fixture	High Input-voltage Fixture	R00 Color Changing Fixture	R00W Color Changing Fixture

Outer Dimensions



Connection demo (Fixture with 1 plug)

