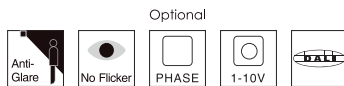


DOWNLIGHT



JAZZ

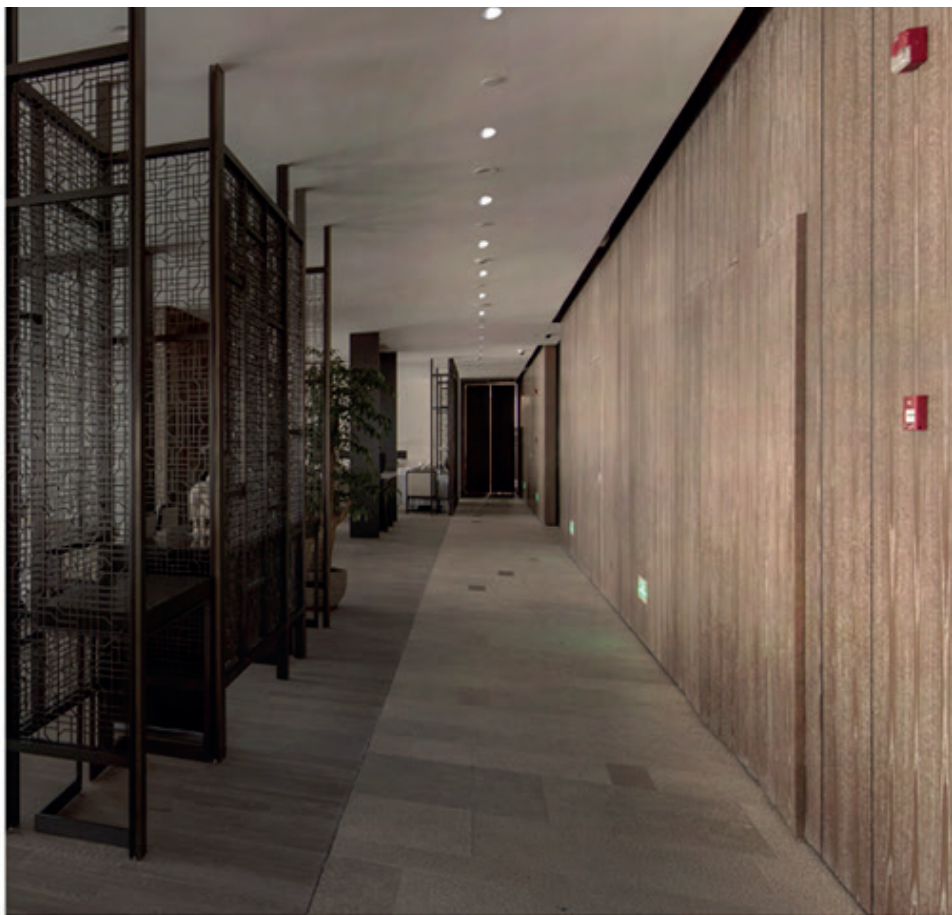
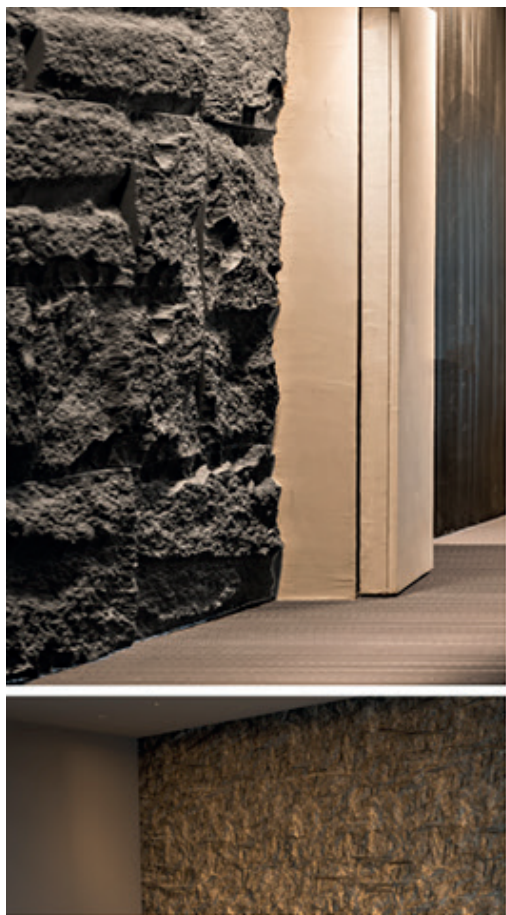


JAZZ

Excellent uniform light distribution. Optical tilt angle designed, just put the luminaires to the place, don't need to modify lamps.

Material:aluminum / Control Gear : remote

Application : Architecture lighting, indoor wall washer, billboards and blackboard light ... etc.



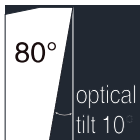
References

Reference	Led Power	Luminous flux	CCT/K	OPTICS	IP Rating	Dimensions
LX-DL-1843	12W	662lm	2700K/3000K/4000K	80°/Optical tilt 10°	IP20	Ø84*70mm
LX-DL-11063	20W	1278lm				Ø106*85mm
LX-DL-11353	36W	2244lm				Ø135*97mm

Order code : Reference - Power - Luminous flux - CCT/K - Optic

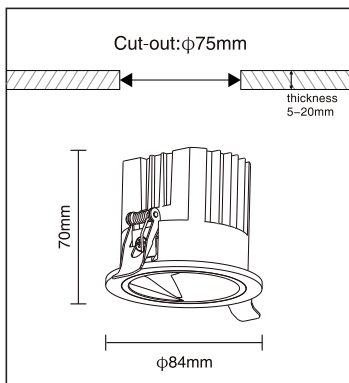
Important : All the specification can be customized as per the project request .

OPTICS

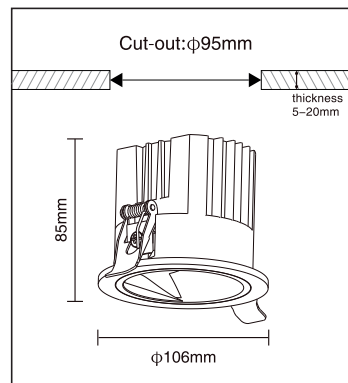


Dimensions

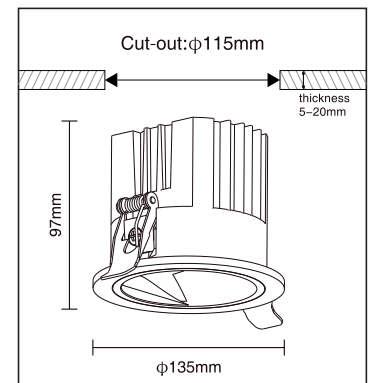
LX-DL-1843



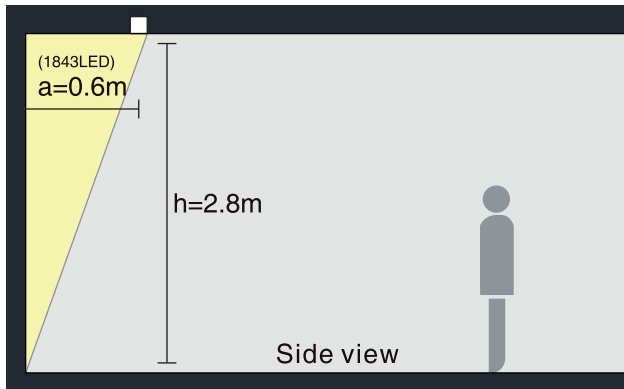
LX-DL-11063



LX-DL-11353

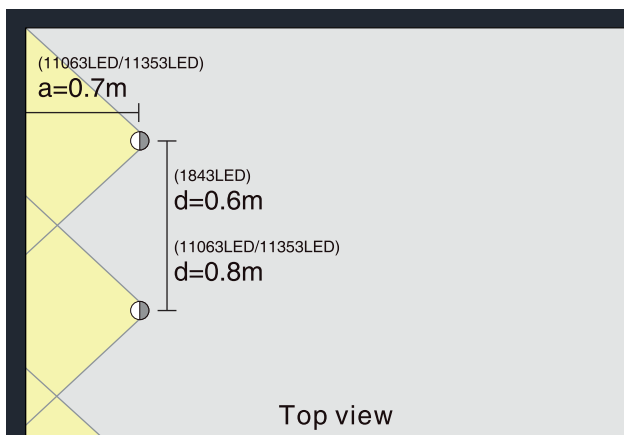


Feature



In order to obtain uniform vertical illumination, The distance from the wall to the wall washer light(a) should be approximately one quarter of the wall height (h).

$$\text{Distance : } a = 1/4 \times h$$



In order to obtain uniform longitudinal illumination, The spacing (d) of the wall washer can be 1.2 times the distance between the lamp and the wall (a).

$$\text{Distance: } d \leq 1.2 \times a$$

The best wall washer and wall distance and the distance between the lamps are shown on the right.