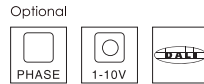


DOWNLIGHT



GLOBE



GLOBE

COB downlight for high-class projects where need comfortable lighting environment
Unique Backward and tilting function allows more lumen output
Chrome reflectors, fixed/adjustable
Excellent glare control (UGR<16) / Material : Aluminum Frame & Heatsink
Applications : Star-rated Hotels, Villa, Residential buildings, etc.



References

Reference	Led Power	Luminous flux	CCT/K	OPTICS	IP Rating	Dimensions	Adjustable
LX-DL-1601	5W	320-390lm	2700K/3000K/4000K	15°/20°/25°/30°	IP20/IP65	Ø60*60mm	—
	7W	383-468lm					
LX-DL-1861	8W	642-674lm		15°/24°/38°		Ø86*95mm	
	10W	753-788lm					
	12W	836-872lm					
LX-DL-11161-S	15W	939-975lm		15°/24°/38°		Ø116*140mm	
	20W	1533-1616lm					
	25W	1742-1833lm					
LX-DL-1602	30W	1922-2072lm		15°/20°/25°/30°		Ø60*65mm	
	5W	339-392lm					
LX-DL-1602	7W	402-470lm	15°/24°/38°	Ø86*106mm	°20/350°		
	8W	636-666lm					
LX-DL-1862	10W	746-781lm	15°/24°/38°	Ø86*106mm			
	12W	825-866lm					
	15W	928-920lm					
LX-DL-11162-S	20W	1516-1580lm	15°/24°/38°	Ø116*147mm			
	25W	1723-1824lm					
	30W	1903-2018lm					

Order code : Reference - Power - Luminous flux - CCT/K - Optic

Important : All the specification can be customized as per the project request .

OPTICS

LX-DL-1861 / LX-DL-11161-S
LX-DL-1862 / LX-DL-11162-S



LX-DL-1601 / LX-DL-1602



Optional Accessories



Honeycomb Louver



Glass filter



Specular



Black chrome



Gold



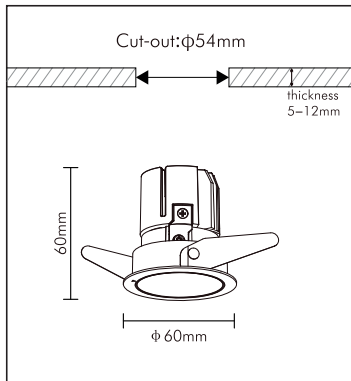
White



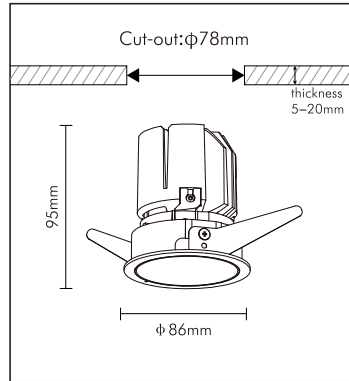
Black

Dimensions

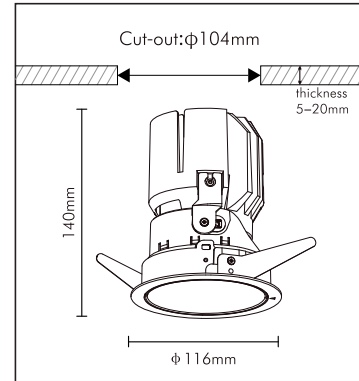
LX-DL-1601



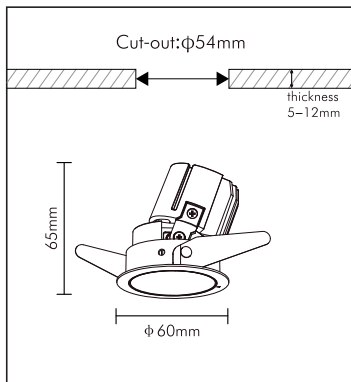
LX-DL-1861



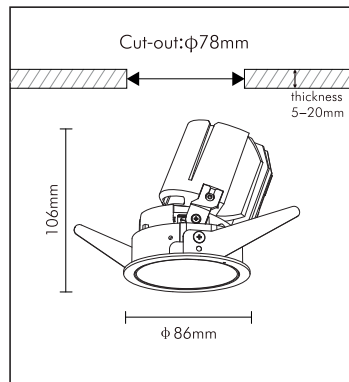
LX-DL-11161-S



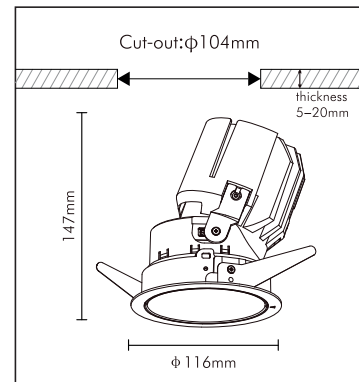
LX-DL-1602



LX-DL-1862



LX-DL-11162-S



Feature

To install the trimmed version

