

# WALL LIGHT

## LX-WL-01-G4



IP	AC100-277V	CRI
65		>80



### LED Wall Pack LX-WL-01-G4

LED Wall Pack Light series can be widely used as exterior or interior LED lighting for hptels Garages, Commercial Buildings, Public areas, Schools and Hospitals, etc .

Operating Temperature : -40°C~+50°C (C5)

-20°C~+50°C (C4)

Storage Temperature : -40°C~+80°C



[www.luxio-lighting.com](http://www.luxio-lighting.com)

## References

Reference	Led Power	Luminous flux	CCT/K	OPTICS	IP Rating	Weight	Dimensions
LX-WL-01-G4	30W	4200lm	3000K/4000K/5000K	130°*60°	IP65	1.85kg(4.10lbs)	235*164.50*108mm
	50W	7000lm					
	80W	11200lm				4.50kg(9.92lbs)	323.50*193.50*128mm
	100W	14 000lm					

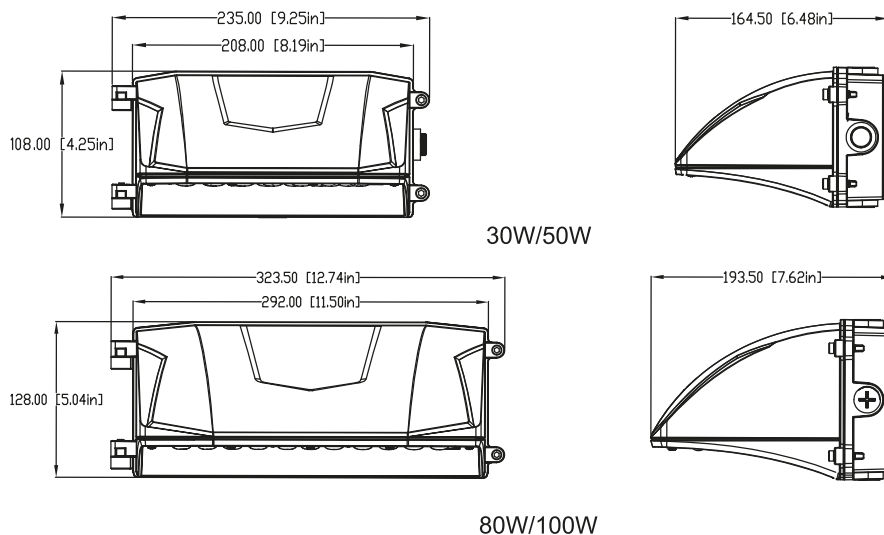
Order code : Reference - Power - Luminous flux - CCT/K - Optic

Important : All the specification can be customized as per the project request .

## Feature

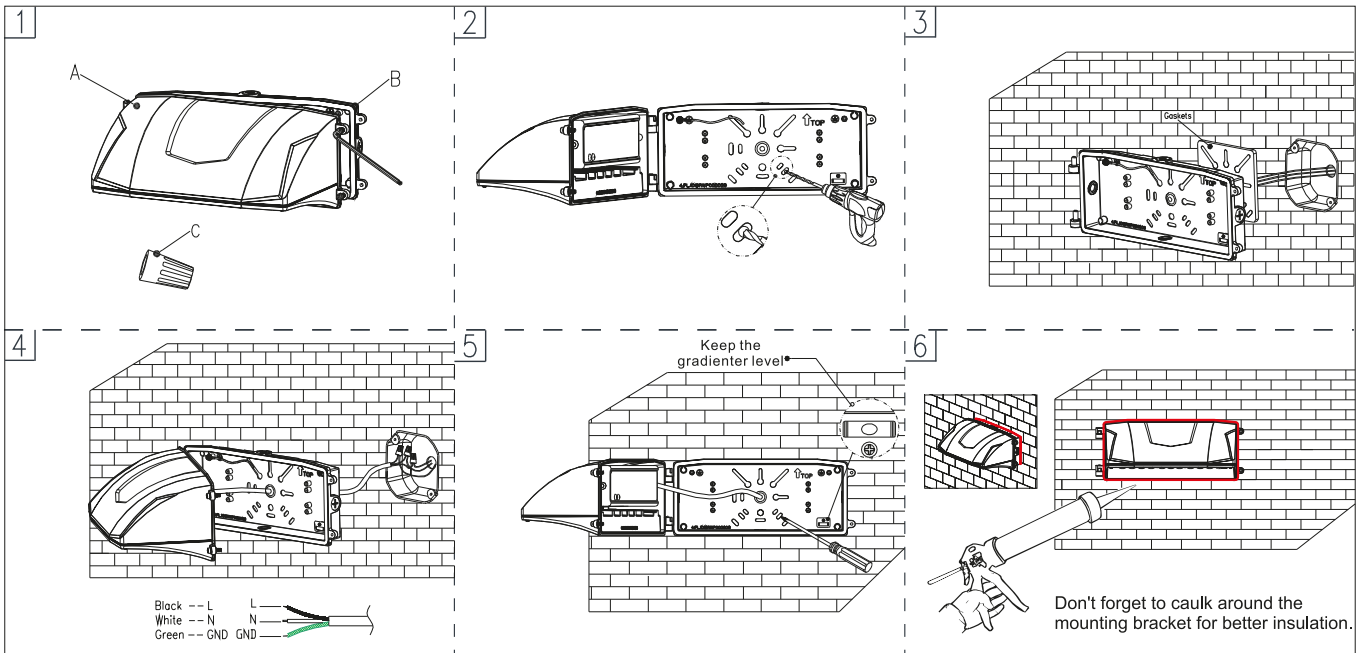


## Dimensions(mm)



# Installation and use

## P1-Mounting with J-box



## P2-Mounting with a 1/2" conduit at the bottom

