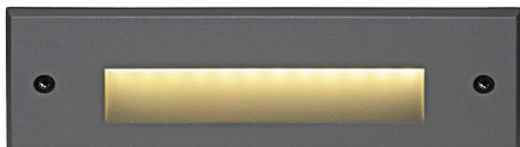


# WALL LIGHT

LX-WL-10B-2-3W



## Wall Light

FRONT COVER	Made by hard chrome-plated stainless steel 316L#
HOUSING	12# Die-casting grey powder coated aluminum T=60-80µm. Adhesion of ISO class 1/ASTM class 4B
LIGHT WINDOW	Step-grinding and tempered high transparency Glass T=1.8mm
CABLE CABLE	IP68 PG-9 PA66
GASKET	Molding shaped silicone seal
LED DRIVER	Constant Voltage Input, Constant Current Output
OPERATING TEMPERATURE	-20°C-40°C
POWER CABLE	H05RN-F 2×1.0mm² L=0.5m (low voltage) H05RN-F 3×1.0mm² L=0.5m (high voltage)
DIMMABLE SURPPOINT	Triac•PWM•1-10V•Dali (Please refer to p.333 to see more option and specification)



**luxio**  
L I G H T I N G

[www.luxio-lighting.com](http://www.luxio-lighting.com)

## References

Reference	Led Power	Input Voltage	Led Quantity	Luminous flux	CCT/K	IP Rating	Dimensions
LX-WL-10B-2-3W	12x0.2W	DC24V AC120-240V	12pcs	66-70lm	2000K/3000K /6000K	IP65	L195xH63xW68mm

Order code : Reference - Power - Luminous flux - CCT/K - Optic

Important : All the specification can be customized as per the project request .

## Housing color option

Basic



Sanded Dark Grey  
**KAP 7037**

Secondary

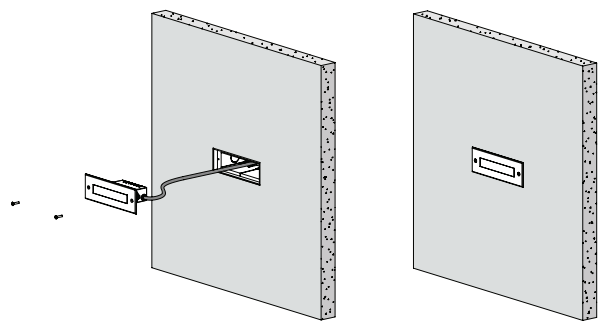


Sanded Black  
**RAL 9005**

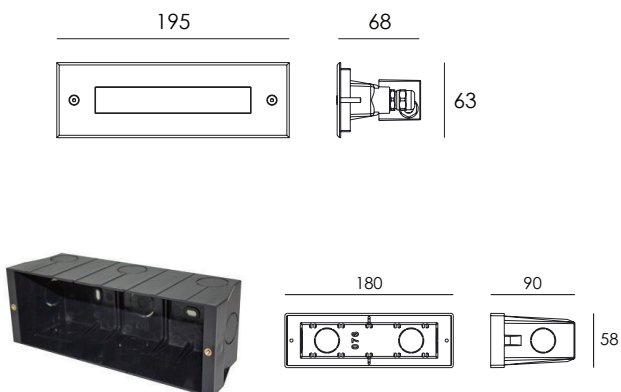


Silver Grey  
**KAP 9022**

## Diagram of instruction



## Dimensions



## Features



- The above picture – the supporting plate "A1" and "A2" are used for preventing deformation of the sleeve during the construction installation process.
- Please remove the supporting plate "A1" and "A2" from the mounting sleeve before the lamp installation.



- Low Voltage Type



- High voltage Type