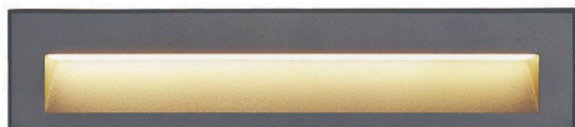


# WALL LIGHT

LX-WL-27-10W



## Wall Light

**HOUSING & FRONT COVER** 12# Die-casting grey powder coated aluminum  
T=60-80µm. Adhesion of ISO class 1/ASTM class 4B

**LIGHT WINDOW** Glass T=1.8mm

**CABLE CABLE** IP67 copper and nicked coated

**GASKET** Molding shaped silicone seal

**LED DRIVER** Constant Voltage Input, Constant Current Output

**OPERATING TEMPERATURE** -20°C-40°C

**POWER CABLE** H05RN-F 2×1.0mm<sup>2</sup> L=0.5m (low voltage)  
H05RN-F 3×1.0mm<sup>2</sup> L=0.5m (high voltage)

**DIMMABLE SURPPOINT** Triac•PWM•1-10V•Dali (Please refer to p.333 to see more option and specification)



**luxio**  
L I G H T I N G

[www.luxio-lighting.com](http://www.luxio-lighting.com)

## References

Reference	Led Power	Input Voltage	Led Quantity	Luminous flux	CCT/K	IP Rating	Dimensions
LX-WL-27-10W	30×0.3W	DC24V AC120-240V	30pcs	292-330lm	2000K/3000K /6000K	IP23	L311×H66×W61mm

Order code : Reference - Power - Luminous flux - CCT/K - Optic

Important : All the specification can be customized as per the project request .

## Housing color option

Basic



Sanded Dark Grey  
**KAP 7037**

Secondary

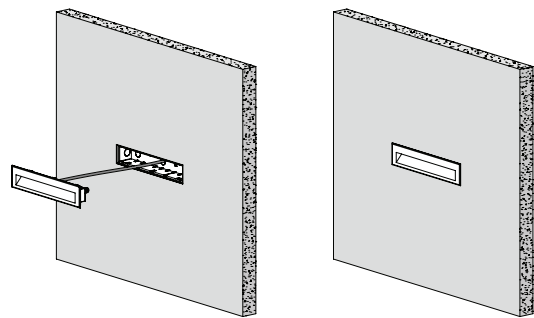


Sanded Black  
**RAL 9005**

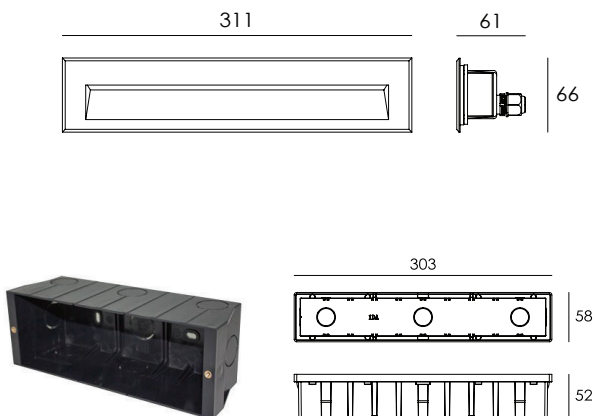


Silver Grey  
**KAP 9022**

## Diagram of instruction



## Dimensions



## Features



- The above picture – the supporting plate "A1" and "A2" are used for preventing deformation of the sleeve during the construction installation process.
- Please remove the supporting plate "A1" and "A2" from the mounting sleeve before the lamp installation.



- Low Voltage Type



- High voltage Type