

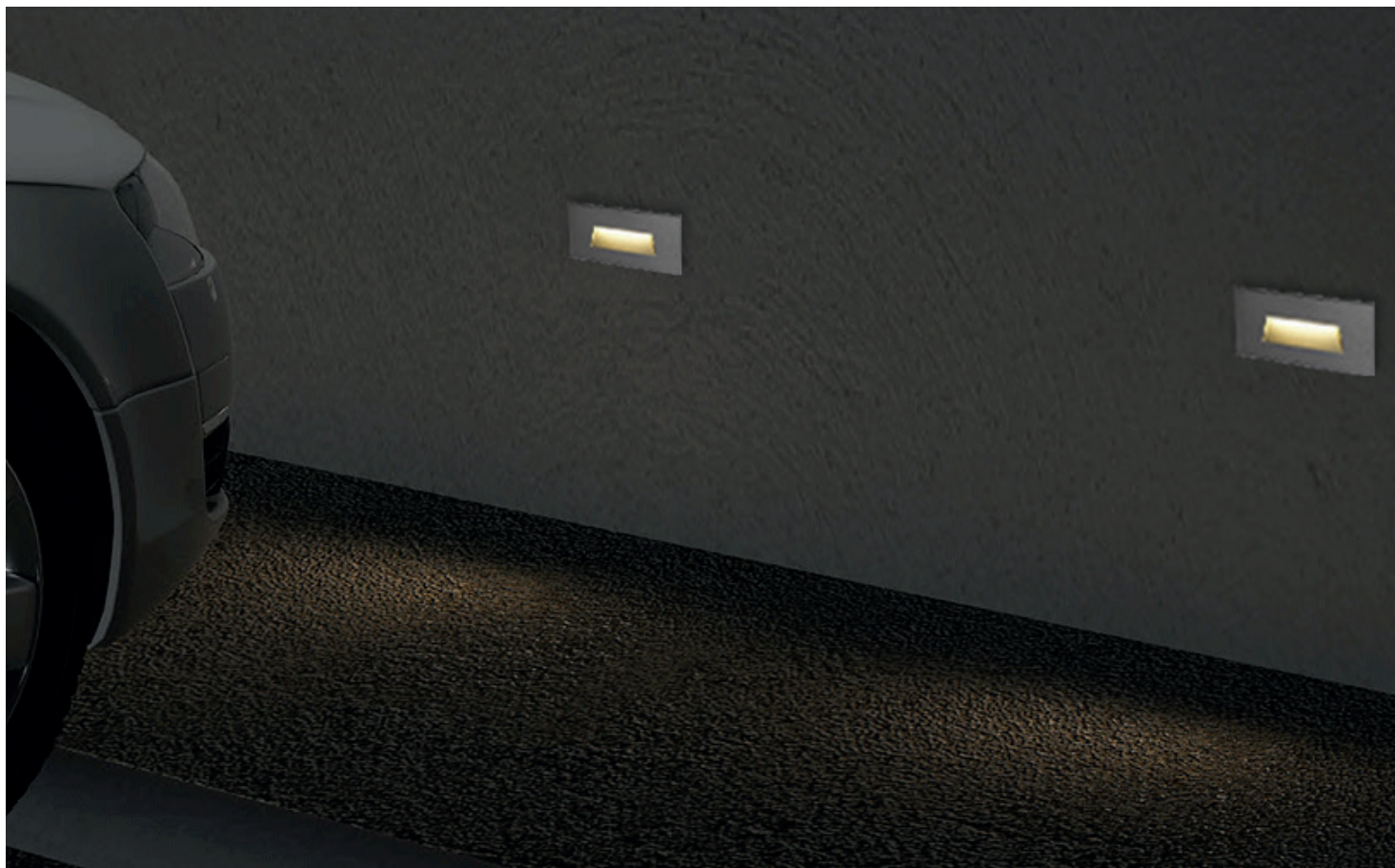
# WALL LIGHT

LX-WL-4A-2-4W



## Wall Light

FRONT COVER	12# Die-casting aluminum KAP7037 powder coated t=60-80µm. Adhesion of ISO CLASS 1 / ASTM class 4B
HOUSING	12# Die-casting grey powder coated aluminum t=60-80µm. Adhesion of ISO CLASS 1 / ASTM class 4B
LIGHT WINDOW	UVstop & Fireproof PC
CABLE CABLE	IP67 copper and nicked coated
GASKET	Molding shaped silicone seal
LED DRIVER	Constant Voltage Input, Constant Current Output
OPERATING TEMPERATURE	-20°C-40°C
POWER CABLE	H05RN-F 2×1.0mm² L=0.5m (low voltage) H05RN-F 3×1.0mm² L=0.5m (high voltage)
LED	SMD3030 type LED
DIMMABLE SURPPORT	Triac • PWM • 1-10V • Dali (Please refer to p.333 to see more option and specification)



## References

Reference	Led Power	Input Voltage	Led Quantity	Luminous flux	CCT/K	IP Rating	Dimensions
LX-WL-4A-2-4W	7×0.5W	DC24V AC120-240V	7pcs	137-145lm	2000K/3000K /6000K	IP65	L155×H76×W62.3mm

Order code : Reference - Power - Luminous flux - CCT/K - Optic

Important : All the specification can be customized as per the project request .

## Housing color option

Basic



Sanded Dark Grey  
**KAP 7037**

Secondary

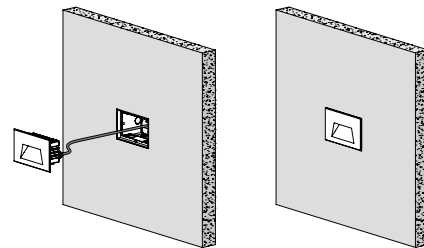


Sanded Black  
**RAL 9005**

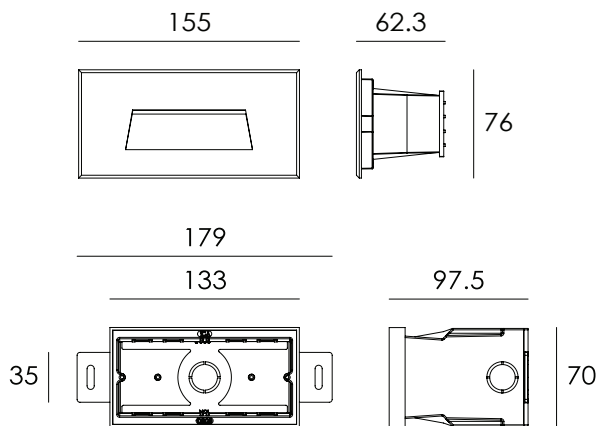


Silver Grey  
**KAP 9022**

## Diagram of instruction



## Dimensions



## Features



• Front cover without screws



• Use the high-strength clips for installation and fixation.  
(please refer remark ① & ②)