

Canopy

LX-CA-GS

AC100-277V	CRI >80	IP 65
------------	------------	----------



CANOPY LX-CA-GS

The LED Gas Station Light provides a energy saving solution to a wide spectrum of applications including, but not limited to security lighting in schools, office, complexes, light commercial development, apartments, parking garages, entryways, and stairwells. It also can be used in workshop, warehouse, parking lot, toll gate, gas station, supermarket, exhibition hall, gym and other places.

Operating Temp : -40°C~+50°C

Storage Temp : -40°C~+80°C



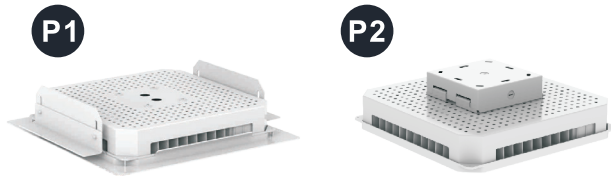
References

Reference	Led Power	Input Voltage	Luminous flux	OPTICS	CCT/K	Weight	Dimensions
LX-CA-GS	60W	AC100-277V	8400Lm	30°/60°/90°/150°	3000K/4000K/5000K /5700K	7.80kg(17.2lbs)	P1 : 449x412x97mm P2 : 348x348x110mm
	80W		11200Lm				
	100W		14000Lm				
	120W		16800Lm				
	150W		21000Lm				

Order code : Reference - Power - Luminous flux - CCT/K - Optic

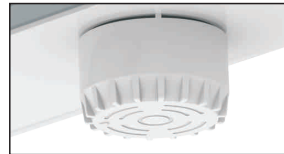
Important : All the specification can be customized as per the project request .

Model Options



Microwave Motion Sensor Options

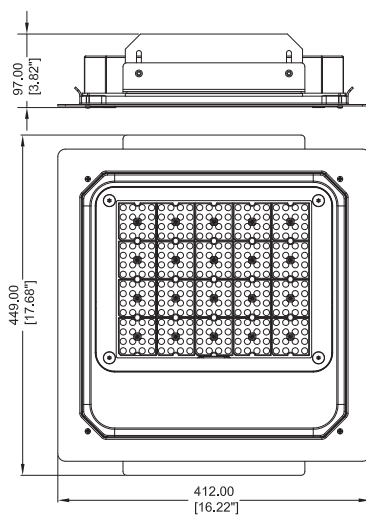
(Extra Remote Control Options)
nly for TUV, UL List Driver



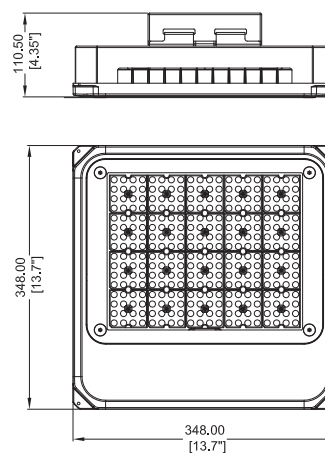
Default Setting :
Detection area : 100%
Hold time : 5 seconds
Daylight threshold : 50lx
Stand-by dimming level : 50%
Stand by period : 10 seconds



Dimensions mm



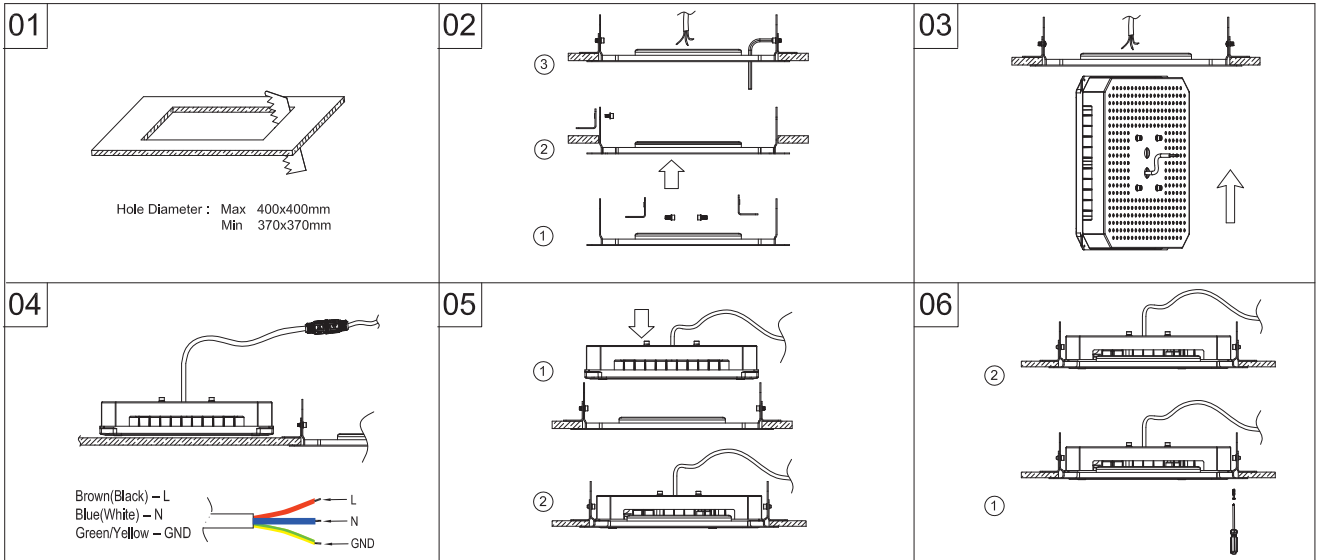
P1 Recessed Installation Frame



P2 Surface mounting installation(standard)

Installation and use

P1 Recessed Installation Frame



P2 Surface mounting installation(standard)

