

# FLOOD LIGHT



LX-FL-07-G9

IP	AC100-277V	CRI
66		>70



CE	CB	RoHS	100000hrs
----	----	------	-----------

### Better solutions for Led Flood Light

Sports lighting, Stadium lighting, Sports fields, Car parkes, High mast installations Dock, railway and container yards, Ports and other large scale outdoor applications, Architectural lighting, Landscape lighting, Industrial and commercial exterior lighting Decorative lighting for holidays, tradeshow, exhibitions.

Operating Temperature : -40°C ~ +50°C

Storage Temperature : -40°C ~ +80°C

Leds : SAMSUNG 3535 SMD5050

Housing color : Black + Red / Black + Blue / Black + Green/ Black + Black/ Grey + Grey



luxio  
L I G H T I N G

[www.luxio-lighting.com](http://www.luxio-lighting.com)

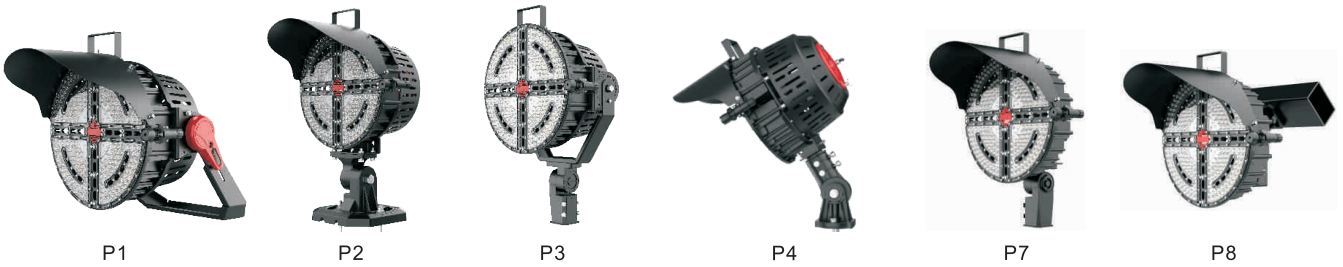
## References

Reference	Led Power	Luminous flux	CCT/K	OPTICS	IP Rating	Weight	Weight
LX-FL-07-G9	300W	130Lm/w 150Lm/w	3000K/4000K/5000K /5700K	15°/30°/45°/80°	IP66	17.2kg(37.9lbs)	P1 : H464.8*H452*W632.7mm P2 : H697.5*Ø410*W324.6mm P3 : H701.5*L425.4*W324.6mm
	400W						
	500W						
	600W						
	700W	18.2kg(40.1lbs)				P1 : H591.7*L554*W724.9mm P2 : H784.5*Ø510*W365.6mm P3 : H792.5*Ø510*W365.6mm	
	800W						
	1000W						
	1200W						

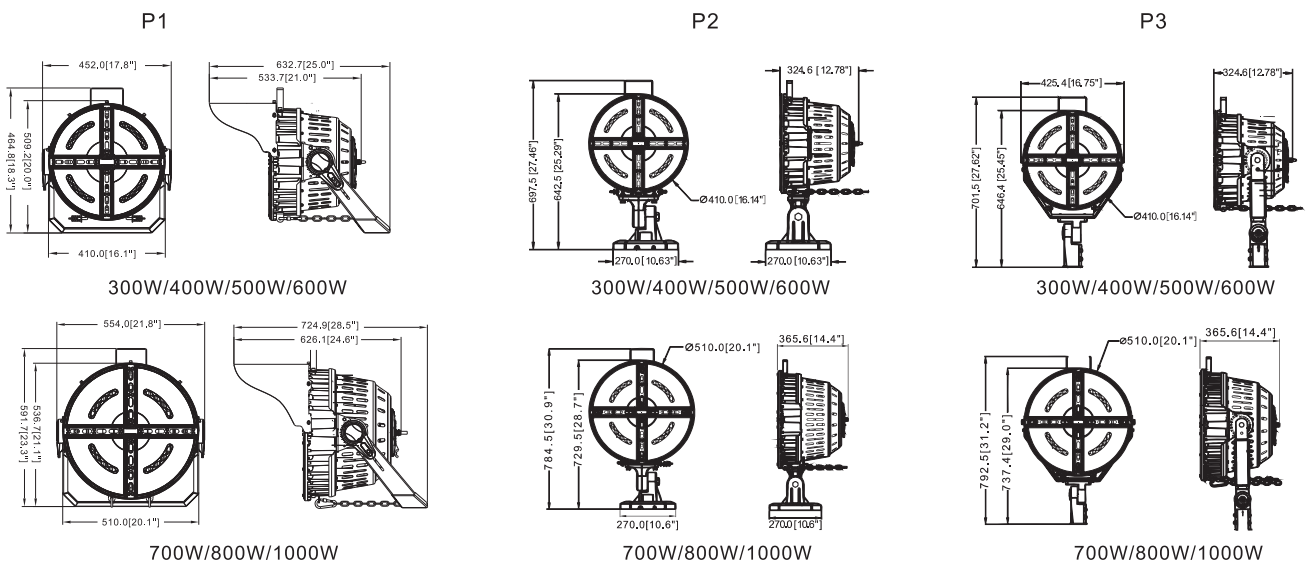
Order code : Reference - Power - Luminous flux - CCT/K - Optic

Important : All the specification can be customized as per the project request .

## Model options

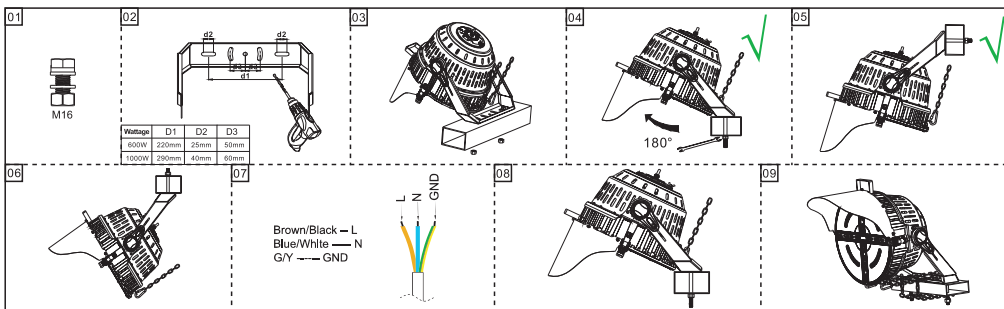


## Dimensions(mm)

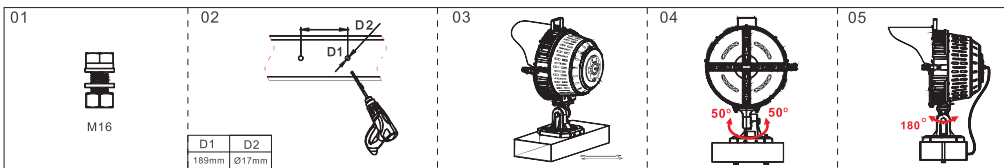


# Installation and use

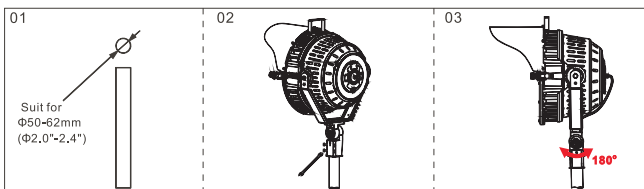
## P1 U-Shaped Bracket



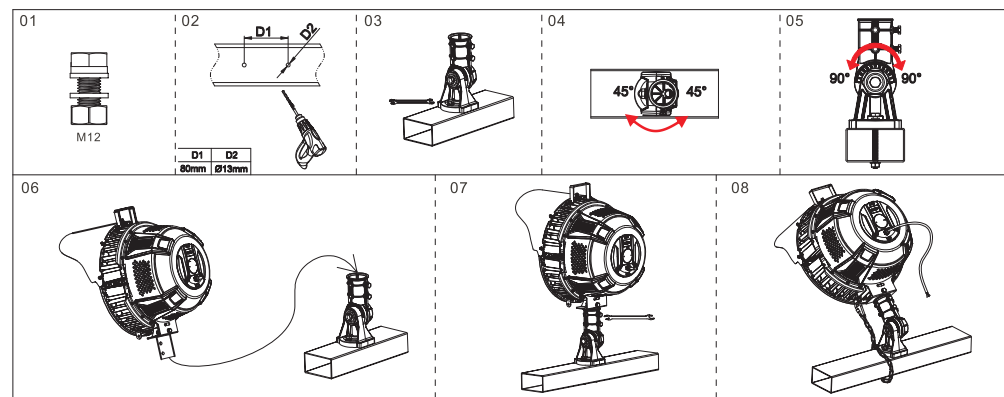
## P2 Rotatable Bracket



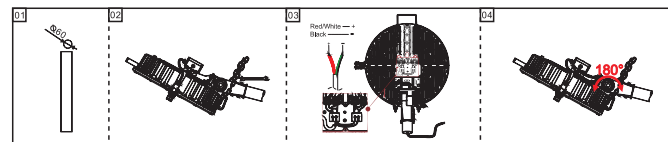
## P3 Slip Fitter



## P4 Rotatable DIY Bracket



## P7 Slip Fitter (Separate Installation)



## P8 Rotatable Bracket (Separate Installation)

