

# INGROUND

## LX-IG-2ADJ-HM

<b>IP</b> 67	<b>IK</b> 09/10	<b>AC100-240V</b> <b>DC24V</b>	<b>TRIAC</b>	<b>PMW</b>	<b>1-10V</b>	
-----------------	--------------------	-----------------------------------	--------------	------------	--------------	--

				<b>50000h</b>
--	--	--	--	---------------



### Inground

<b>FRONT RING</b>	Hard chromeplated Stainless steel SUS 316L#
<b>HOUSING</b>	12# Die-casting dark grey powder coated aluminum T=60-80µm Adhesion of ISO class 1/ATM class 4B
<b>LIGHT WINDOW</b>	Tempered frosted step glass.T=6-8mm
<b>CABLE GLAND</b>	IP68 PG-9-11 PA66
<b>PCB</b>	Excellent heat conductivity aluminum coefficient of heat Conductivity≥2.0w/mk
<b>LED DRIVER</b>	Constant Voltage Input, Constant Current Output
<b>LENS</b>	Optical Reflector efficiency≥85%
<b>OPERATING TEMPERATURE</b>	-20°C~40°C
<b>POWER CABLE</b>	H07RN-F 2X1.0mm2 L=0.5m(low voltage) H07RN-F 3X1.0mm2 L=0.5m(high voltage)
<b>RECESSED SLEEVE MATERIAL</b>	PC/ABS ALLOYS
<b>GLASS PRESSURE CAPACITY</b>	LX-IG-2ADJ-2W-HM: Full Area=1,195kgs LX-IG-2ADJ-3W-HM: Full Area=2,526kgs LX-IG-2ADJ-9W-HM: Full Area=2,621kgs LX-IG-2ADJ-13W-HM : Full Area=2,961kgs LX-IG-2ADJ-18W-HM : Full Area=5,513kgs LX-IG-2ADJ-28W-HM : Full Area=5,356kgs



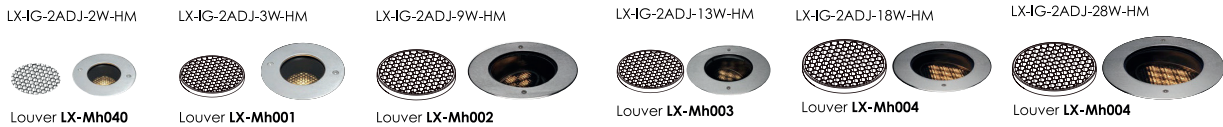
# References

Reference	Led Power	Luminous flux	Input Voltage	CCT/K	IK Rating	IP Rating	Optics	Dimensions
LX-IG-2ADJ-2W-HM	1*2W	112-147lm	AC 100-240V DC24V	3000K/6000K	IK09	IP67	9°/20°/30° /10°*38°	Ø95*H97mm
LX-IG-2ADJ-3W-HM	1*3W	300lm						Ø116*H98mm
LX-IG-2ADJ-9W-HM	6*1.2W	570-700lm			IK10		Ø173*H128mm	
LX-IG-2ADJ-13W-HM	9*1.2W	756-1090lm					Ø210*H179mm	
LX-IG-2ADJ-18W-HM	12*1.5W	1389-1885lm			Ø250*H190mm			
LX-IG-2ADJ-28W-HM	12*2.2W	2392lm			Ø300*H207mm			

Order code : Reference - Power - Luminous flux - CCT/K - Optic

Important : All the specification can be customized as per the project request .

## Honeycomb(Optional)



- Optional Accessory Honeycomb Louver
- The measured luminous flux data does not contain the honeycomb, and the data containing is reduced 20 to 30%.

## Water Proof Solution

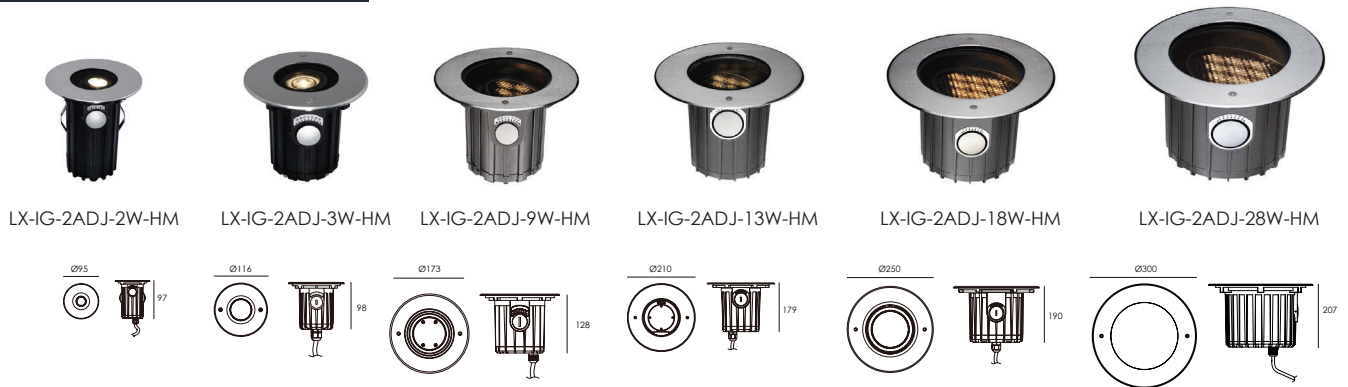


**A Water-Stopper(Included)**  
The luminaire will generate high temperature when used, which will generate negative pressure when the power is turned off also brings water vapor into the luminaire. That's why the device is required to block the entry of water vapor.

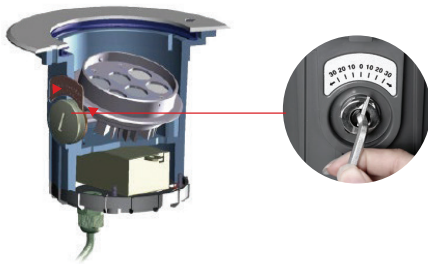
**B IP67 Jiffy quick plug/socket connector(Optional)**  
To prevent water vapor into luminaire via wire which had been cut, the air contains lots of steams when raining, spray or in humid environment, the luminaire will generate high temperature when used, which will generate negative pressure when the power is turned off also brings water vapor into the luminaire.



## Dimensions

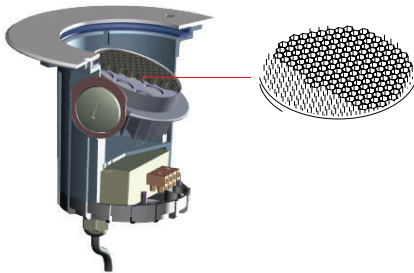


## Feature



### A simplicity of wider angle adjustment

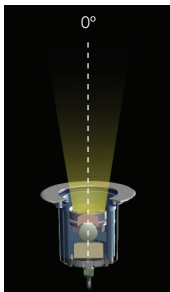
- In according to the environment require to adjust the angle of light



### Honey comb - Good choice for soft light

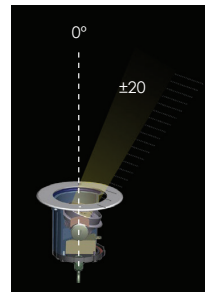
- The honey comb over will be synchronized changed along with the light beam angle

## Luminous Beam Comparison Before And After The Adjustmen



- The light of vertical direction
- Typical luminance (vertical direction)

Cool White=1885  
Warm White=1389



- The view of light direction when the beam angle moved
- The rest of luminance after moving 20 degrees

Cool White =1621  
Warm White=1195