

INGROUND

LX-IG-B657



IP 67	IK 06	AC100-240V DC24V	TRIAC	PMW	1-10V	UL
----------	----------	---------------------	-------	-----	-------	----

2 GARANTIE	OSRAM	CE	RoHS	50000h
---------------	-------	----	------	--------

Inground

HOUSING	Extruded aluminum, powder coated
FRONT RING	Hard chrome-plated Stainless steel SUS 316L#
LIGHT WINDOW	Tempered frosted step glass.T=6mm
LENS	Optical lens.efficiency≥85%
CABLE GLAND	IP68 PG-9 PA66
GASKET	Glass and housing are silicone sealed
LED	Single color OSRAM LED
OPERATING TEMPERATURE	-20°C~40°C
POWER CABLE	H05RN-F 2X1.0mm ² L=0.5m(low voltage) H05RN-F 3X1.0mm ² L=0.5m(high voltage)
MOUNTING SLEEVE	Powder Coated Aluminum



luxio
L I G H T I N G

www.luxio-lighting.com

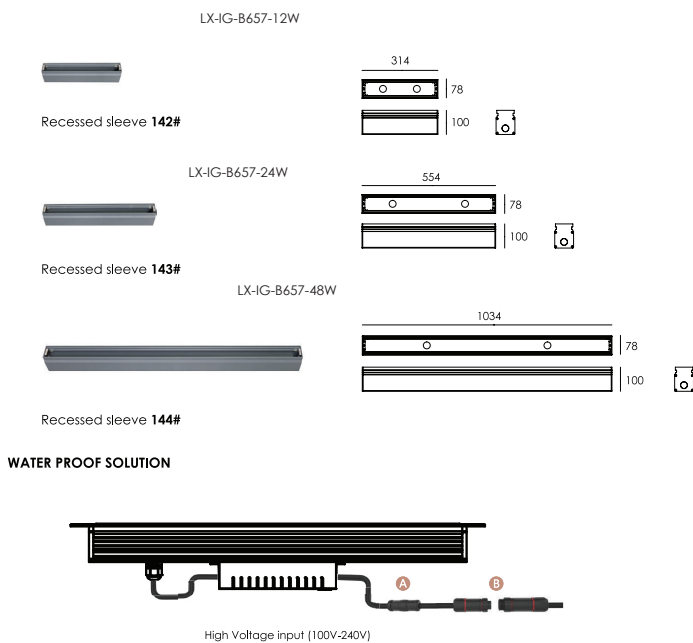
References

Reference	Led Power	Luminous flux	Input Voltage	CCT/K	IK Rating	IP Rating	Optics	Dimensions
LX-IG-B657-12W	6×2W	819lm	AC100-240V DC24V	2000K/3000K /6000K	IK06	IP67	9°/15°/20° /30°/45°	H83*L325*W88.5mm
LX-IG-B657-24W	12×2W	1815lm						H83*L565*W88.5mm
LX-IG-B657-48W	24×2W	3158lm						H83*L1045*W88.5mm

Order code : Reference - Power - Luminous flux - CCT/K - Optic

Important : All the specification can be customized as per the project request .

Water Proof Solution & Sleeve (Included)



A Water-Stopper(Included)

The luminaire will generate high temperature when used, which will generate negative pressure when the power is turned off also brings water vapor into the luminaire. That's why the device is required to block the entry of water vapor.

B IP67 Jiffy quick plug/socket connector(Optional)

To prevent water vapor into luminaire via wire which had been cut, the air contains lots of steams when raining, spray or in humid environment, the luminaire will generate high temperature when used, which will generate negative pressure when the power is turned off also brings water vapor into the luminaire.

Dimensions

