

# STREET LIGHT

## LX-SL-01-G5



<b>IP</b> 66	<b>CRI</b> >70	<b>AC100-277V</b>
-----------------	-------------------	-------------------

<b>5</b> YEAR WARRANTY	<b>CE</b>	<b>RoHS</b>	<b>IEC</b> EN60598	<b>SOSEN</b> LED DRIVER	<b>50000hrs</b>
------------------------------	-----------	-------------	-----------------------	----------------------------	-----------------

### LED street light LX-SL-01-G5

Application : Tunnel light, Sports field, Parking lot, Garden, Residential area, Landscape, Architectural decorative lighting, Roads and other places .

Led : SMD5050

Operating Temp.: -40°C ~+50°C

Storage Temp .: -40°C ~+80°C



## References

Reference	Lamp power	Luminous Efficacy	CCT/K	OPTICS	Net Weight
LX-SL-01-G5	60W	140lm/W	3000K/4000K/5000K /5700K	Type II-M(155*105°) /Type II (117*34°) /Type III(155*120°) /60°/90°	8.5kg (18.7lbs)
	80W				
	100W				
	120W				
	150W				
	200W				

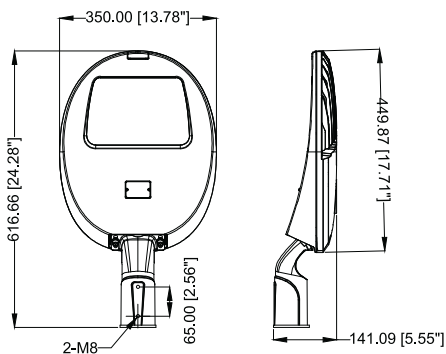
Order code : Reference - Power - Luminous flux - CCT/K - Optic

Important : All the specification can be customized as per the project request .

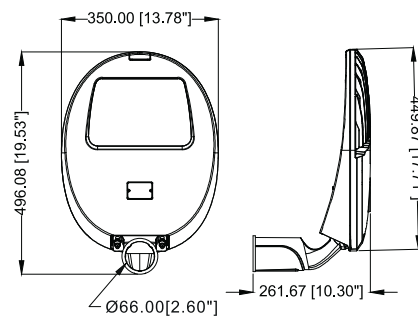
## Model Options



## Dimensions(mm)



Street light Arm pole  
60W/80W/100W/120W/150W/200W



Street light Single pole  
60W/80W/100W/120W/150W/200W

# Installation and use

## P1 Slip Fitter

