

DOWNLIGHT

PASCAL II

IP 44	CRI RA>90	AC220-240V
-----------------	---------------------	-------------------



PASCAL II DOWNLIGHT

The consideration of IP44 rating allows helmet to be widely used in more scenarios.

Multiple options for reflector: chrome/ white/black.

Secondary Reflector High quality reflector brings better light refraction and makes the light more uniform.

Frosted Diffuser For visual comfort.

Cooling system High performance heat dissipator.



References

Reference	Led Power	Luminous flux	Input Voltage	CCT/K	OPTICS	IP Rating	Dimensions
LX-DL-17070F	7W	560lm	AC220-240V	2700K/3000K/4000K	60°	IP44	Ø90*45mm
LX-DL-17095F	10W	800lm					Ø105*65mm
LX-DL-17105F	15W	1200lm					Ø130*70mm
LX-DL-17150F	20W	1600lm					Ø165*90mm
LX-DL-17165F	30W	2400lm					Ø185*95mm
LX-DL-17190F	35W	2800lm					Ø220*100mm

Order code : Reference - Power - Luminous flux - CCT/K - Optic

Important : All the specification can be customized as per the project request .

Secondary Reflector



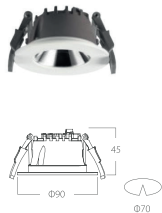
White

Black

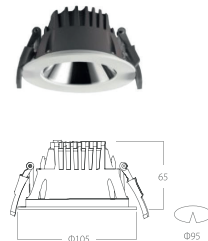
chrome

Dimensions

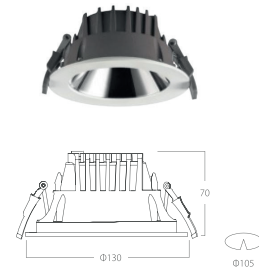
LX-DL-17070F



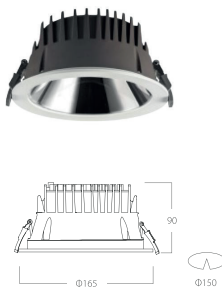
LX-DL-17095F



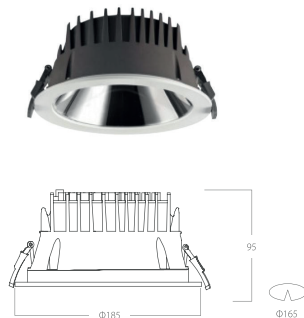
LX-DL-17105F



LX-DL-17150F



LX-DL-17165F



LX-DL-17190F

