

DOWNLIGHT



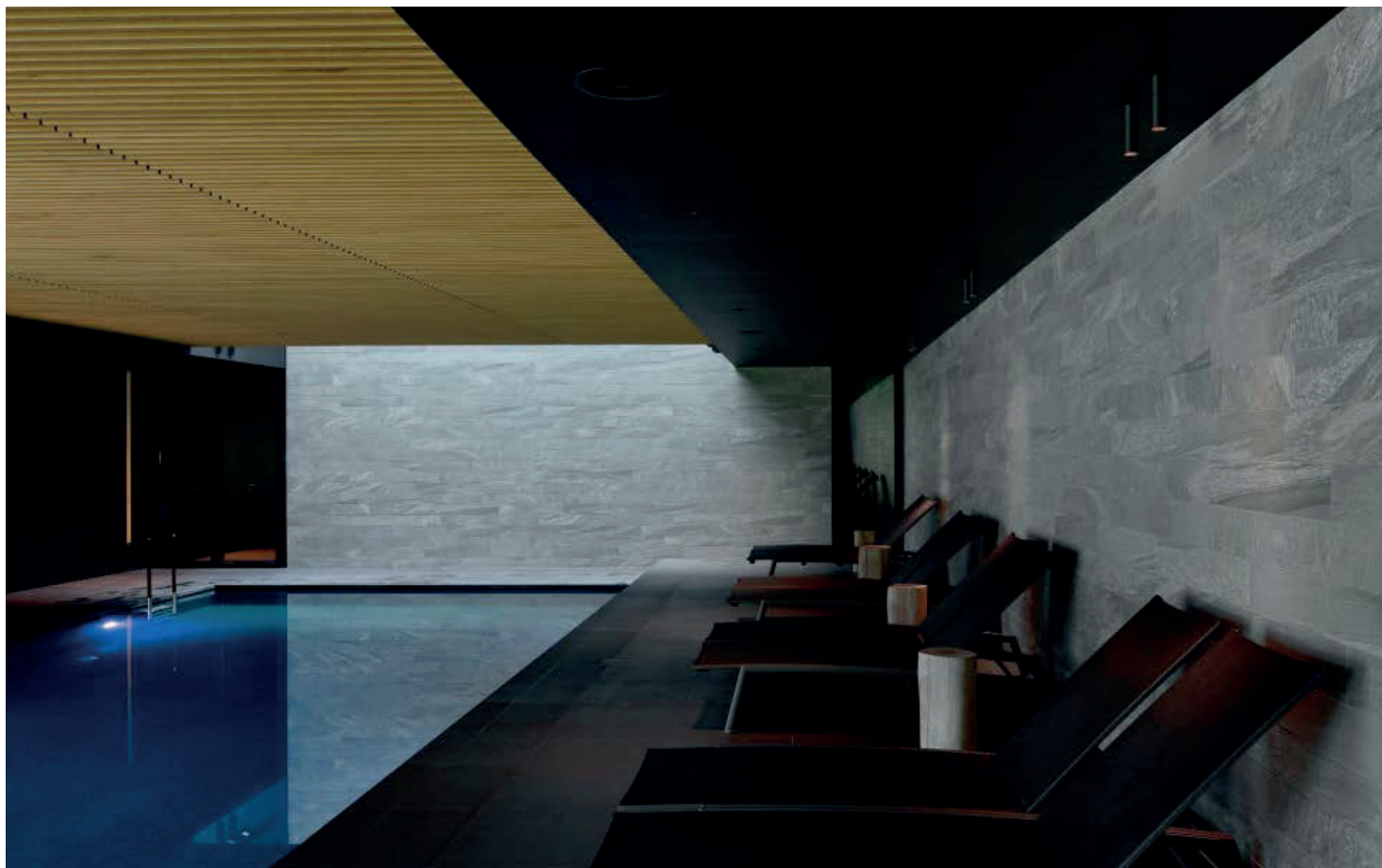
POLY

IP	CRI	PF	AC220-240V	Dimmable	Anti-Glare
20	90+	≥0.9			



POLY DOWNLIGHT

- 1 - Mini size in 33mm/45mm/60mm.
- 2 - Precise beam angles in 15°/24°/36° with smooth and concentric speckle.
- 3 - Different mounting types: track mounting, surface-mounted, recessed-mounted, half recessed-mounted, pendant downlight, trim&trimless, surface-mounted, recessed-mounted, half recessed-mounted, pendant downlight, trim&trimless. Anti-glare structure for maximum eye comfort.
- 4 - Special design in vertical texture suits for decorative style. Aluminum, with painting finishing



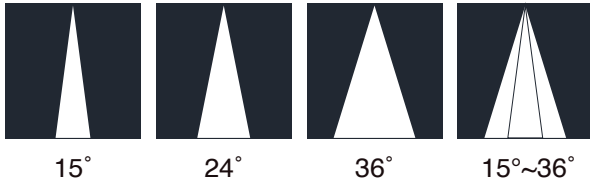
References

Reference	Led Power	Luminous flux	CCT/K	OPTICS	IP Rating	Dimensions	Adjustable
LX-DL-0203A	1*3W	180lm	2700K/3000K/3500K/4000K	15°/24°/36°/Random beam angle:15°~36°	IP20	Ø43*141mm	90°
LX-DL-0207A	1*7W	420lm				Ø55*176mm	
LX-DL-0218A	1*18W	1080lm				Ø70*267mm	

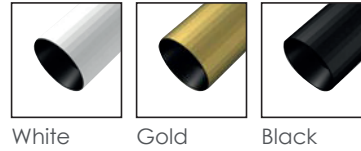
Order code : Reference - Power - Luminous flux - CCT/K - Optic

Important : All the specification can be customized as per the project request .

OPTICS

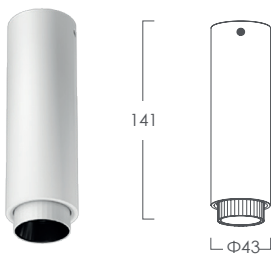


HOUSING IN DIFFERENT COLOR

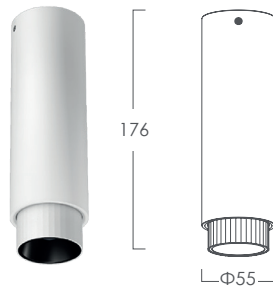


Dimensions

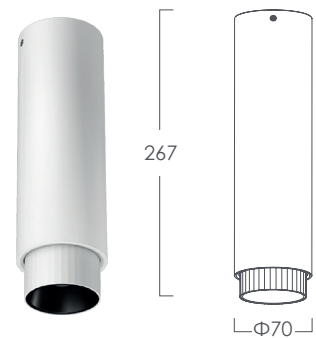
LX-DL-0203A



LX-DL-0207A



LX-DL-0218A



Features

The diagram illustrates the adjustable beam angle feature of a Luxio lighting fixture. A central image shows a white screw driver being used to adjust the beam angle of a light fixture. The beam angle is shown to be adjustable from 15° to 36°. The fixture is shown in a cutaway view, revealing the internal components. The beam angle is adjustable from 15° to 36° via a screw driver. The fixture has a diameter of $\Phi 45\text{mm}$. The beam angle can be freely adjusted from 15°~36° via screw driver.

Adjustable beam angle

15°
24°
36°

$\Phi 45\text{mm}$

Beam angle can be freely adjusted from 15°~36° via screw driver

Fixed angle : 15° / 24° / 36°

Adjustable beam angle 15°~36°