

# UNDERWATER

## LX-IG-123



<b>FRONT COVER &amp; HOUSING</b>	Hard chromeplated Molding shaped stainless steel SUS 316L#
<b>LIGHT WINDOW</b>	Step tempered glass.T=8mm
<b>CABLE GLAND</b>	IP68 M1 6a copper with nickel-coated
<b>GASKET</b>	Silicone gasket
<b>Recessed sleeve</b>	PC/ABS ALLOYS 118#
<b>PCB</b>	Excellent heat conductivity aluminum.coefficient of heat Conductivity≥2.0w/mk
<b>LED DRIVER</b>	Constant Voltage Input,Constant Current Output
<b>APPLICATION ENVIRONMENT</b>	Temperature of water between -20°C~40°C less than 1 meter depth
<b>BUILT-IN OVERHEAT SENSOR SYSTEM</b>	Automatic Shutdown at 75°C
<b>WATERPROOF SEAL</b>	EPDM gasket
<b>POWER CABLE</b>	H07RN-F 2X1.0mm² L=3.0m



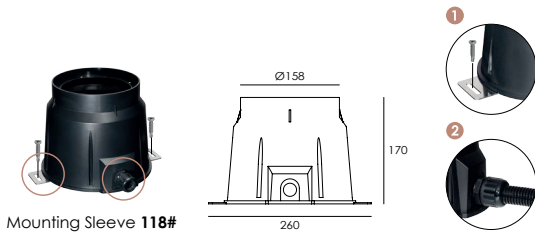
# References

Reference	Led Power	Led Quantity	Input Voltage	Luminous flux	CCT/K	OPTICS	IP Rating	Dimensions
LX-IG-123	6x3W	6pcs	DC24V	1354lm	2000K/3000K /6000K	20°/30°/50°	IP68	Ø180*W77mm
LX-IG-123A				1210lm		10°x14°/21°x29°		

Order code : Reference - Power - Luminous flux - CCT/K - Optic

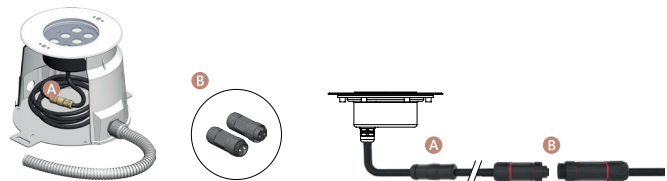
Important : All the specification can be customized as per the project request .

## Sleeve (Included)



Mounting Sleeve 118#

- 1 Install the bracket : Can be fixed in one position during construction. Material is stainless steel . Please bring your own wave tube
- 2 Wave tube fixing buckle : Mainly for the connection position of the fixed wave pipe and the embedded cylinder , With waterproof , function Protect The waterproof joint is not damaged by external force , and prevents water from flowing out



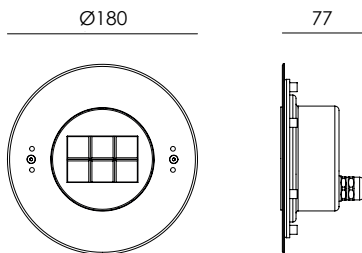
**A Water stopper (Included)**

The luminaire will generate high temperature when used, which will generate negative pressure when the power is turned off also brings water vapor into the luminaire. That's why the device is needed to prevent the water vapor go in.

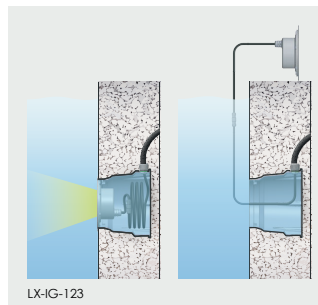
**B IP68 Jiffy quick plug/socket connector (Option)**

To prevent water vapor into luminaire via wire which had been cut, the air contains lots of steams when raining, spray or in humid environment, the luminaire will generate high temperature when used, which will generate negative pressure when the power is turned off also brings water vapor into the luminaire.

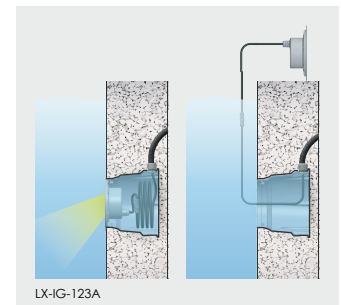
## Dimensions



## Water proof solution



LX-IG-123



LX-IG-123A

•Water must be allowed to go inside and outside sleeve freely without leaking to the other side

•Warning : Must be installed under the water to prevent the light from being burnt off because of over-heating.



Built-in Radiator